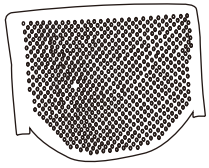
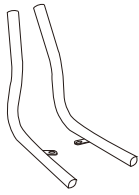


# ASSEMBLY INSTRUCTION

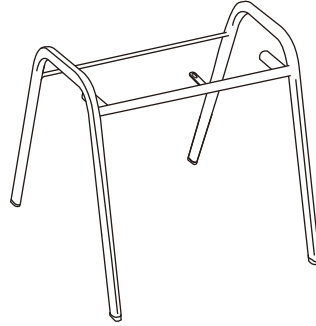
1



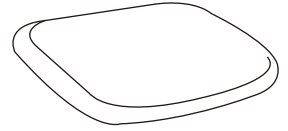
2



3



4



5



6



7



8

