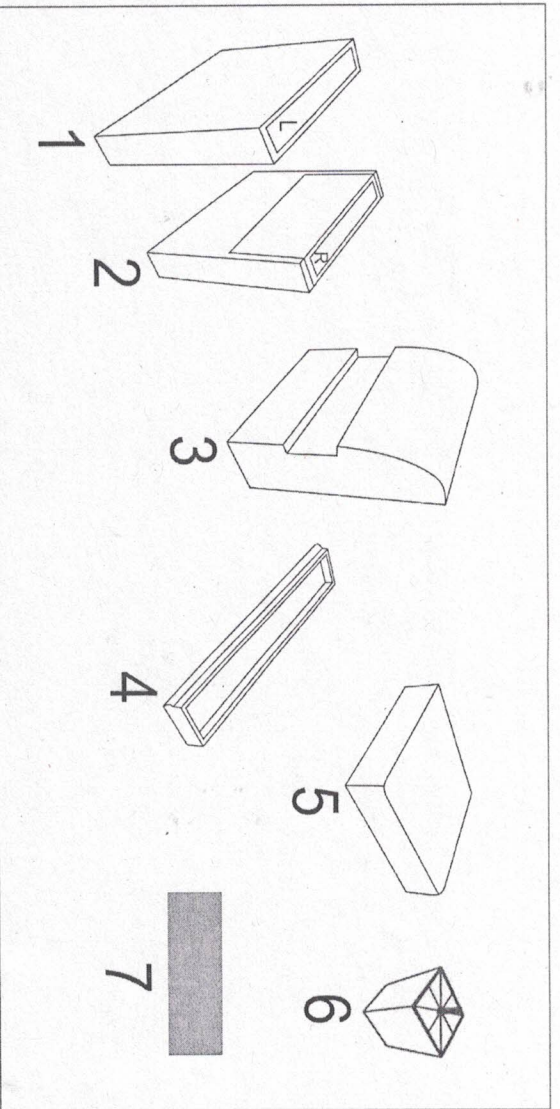


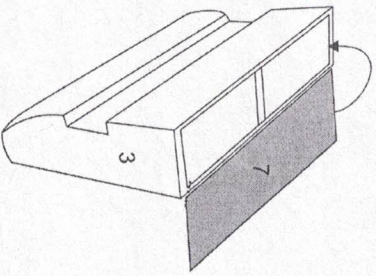
# H901-2 ASSEMBLY INSTRUCTION



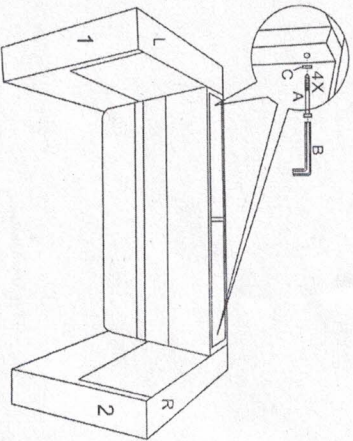
| PART LIST |             |      |
|-----------|-------------|------|
| ITEM      | DESCRIPTION | QTY  |
| 1         | ARMREST (L) | 1PC  |
| 2         | ARMREST (R) | 1PC  |
| 3         | BACK        | 1PC  |
| 4         | FRONT BOARD | 1PC  |
| 5         | SEAT FEET   | 4PCS |
| 6         | DUST COVER  | 1PC  |
| 7         |             |      |

| HARDWARE LIST |                    |     |      |
|---------------|--------------------|-----|------|
| ITEM          | DESCRIPTION        | PIC | QTY  |
| A             | BOLT               |     | 8PCS |
| B             | ALLEN KEY          |     | 1PC  |
| C             | METAL WASHER       |     | 8PC  |
| D             | BIG PLASTIC WASHER |     | 4PC  |

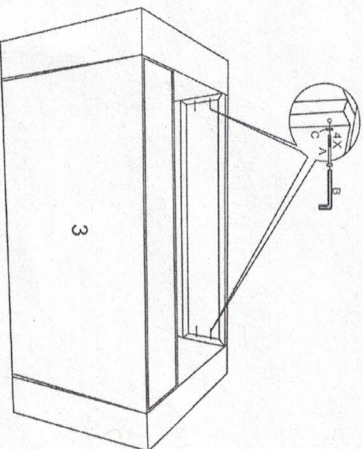
STEP 1



STEP 2

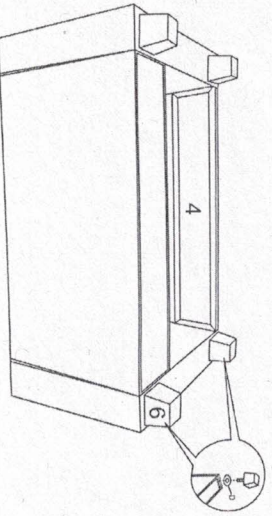


STEP 3



Please take out the fitting box from the back

STEP 4



STEP 5

