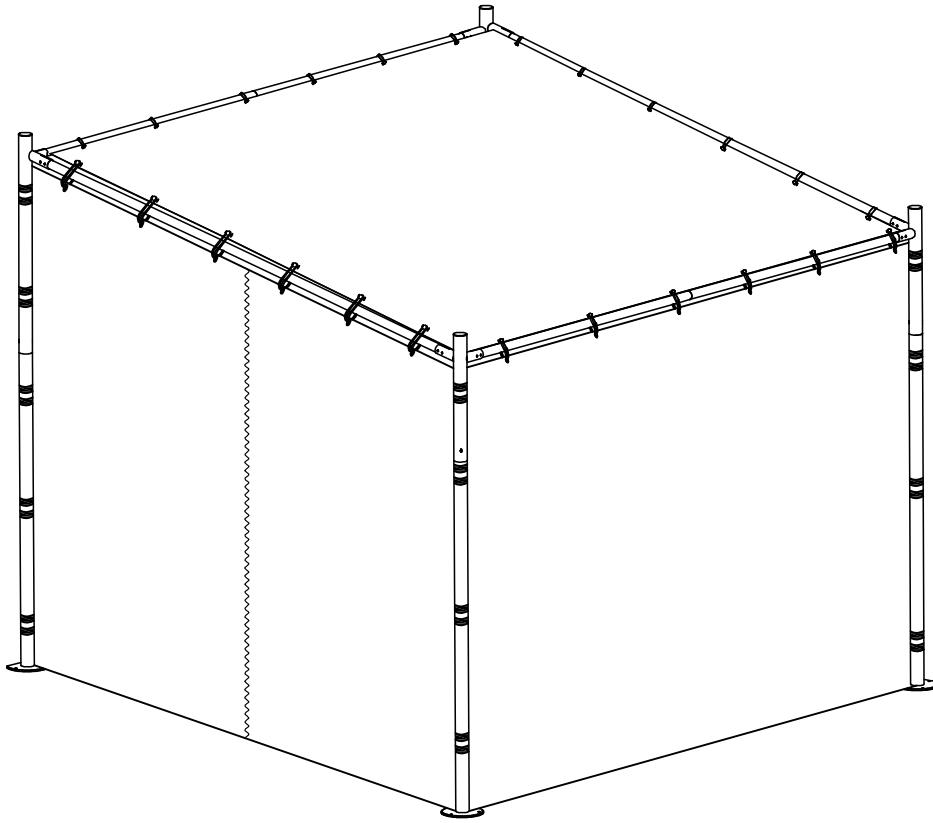
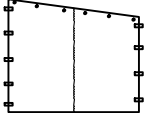
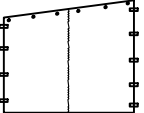

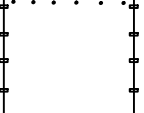


2.85 x 3 m Tent



A		1
B		1
C		1
D		1

