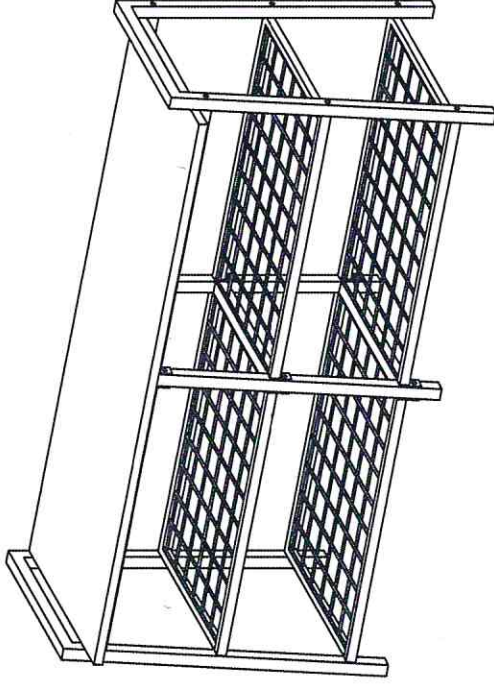
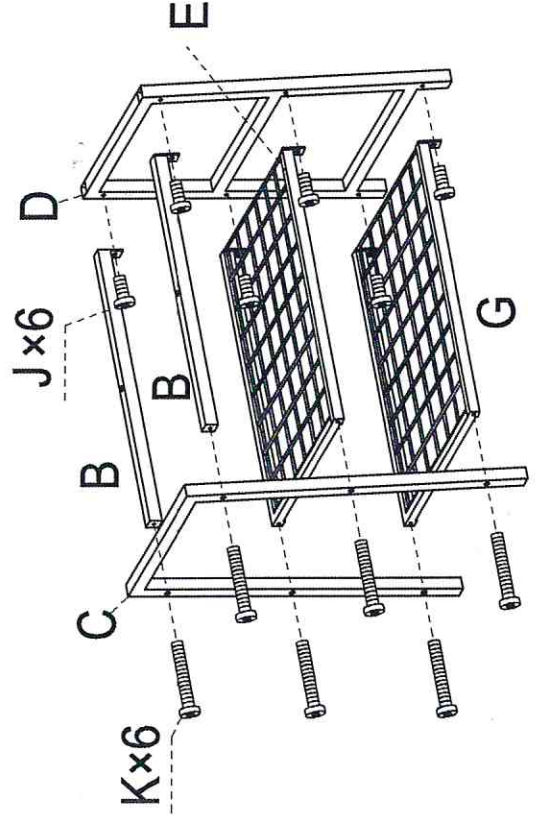


ASSEMBLE INSTRUCTION

DO NOT TIGHTEN SCREWS UNTIL COMPLETELY ASSEMBLED

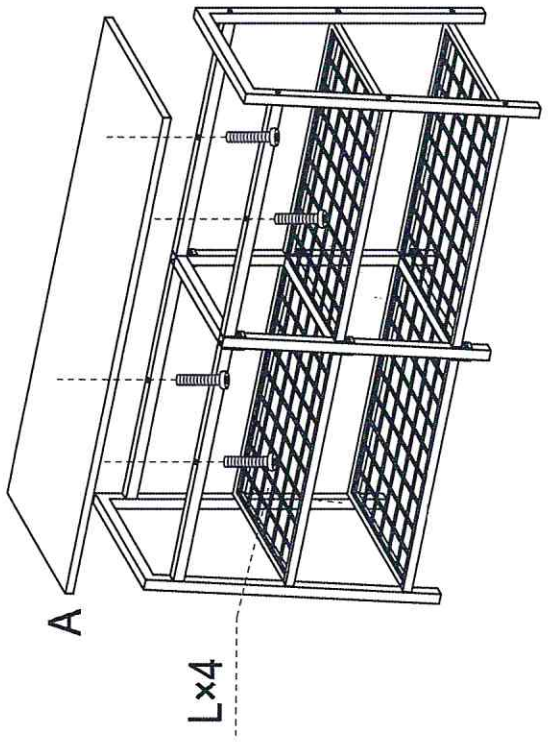


1



| | | |
|---|-----------|-------|
| A | | 1PC |
| B | | 4PCS |
| C | | 2PCS |
| D | | 1PC |
| E | | 1PC |
| F | | 1PC |
| G | | 1PC |
| H | | 1PC |
| I | M6 | 1PC |
| J | M6*10 | 12PCS |
| K | M6*40 | 12PCS |
| L | M6*25 | 4PCS |

3



2

