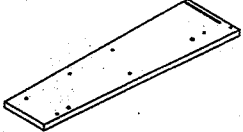
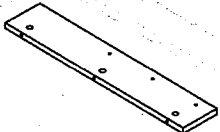
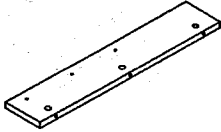
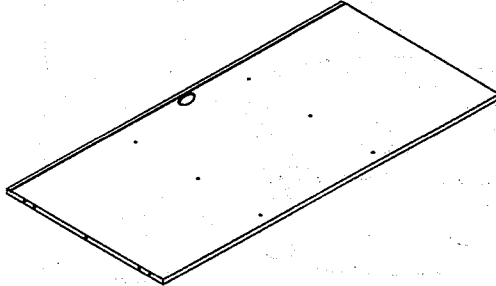
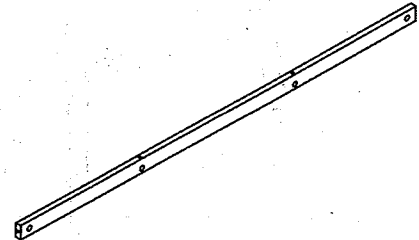
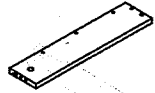
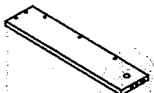

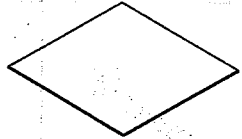
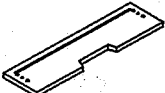
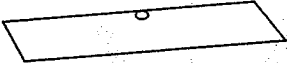
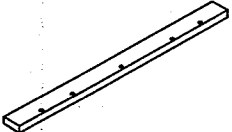
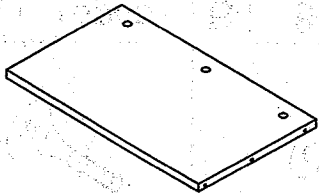
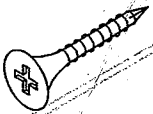

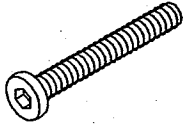
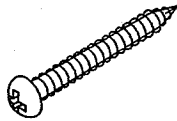
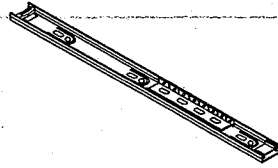
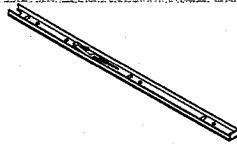
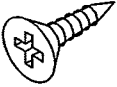
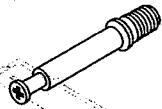
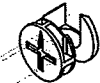

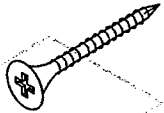
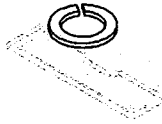
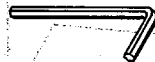

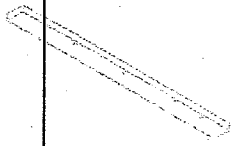
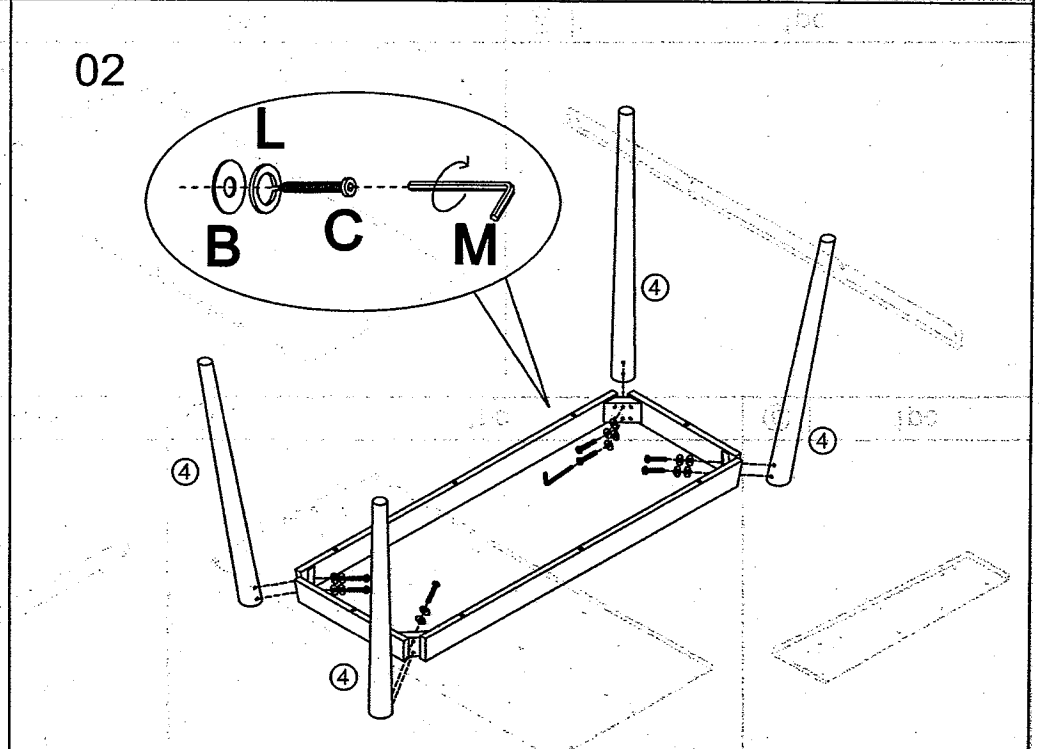
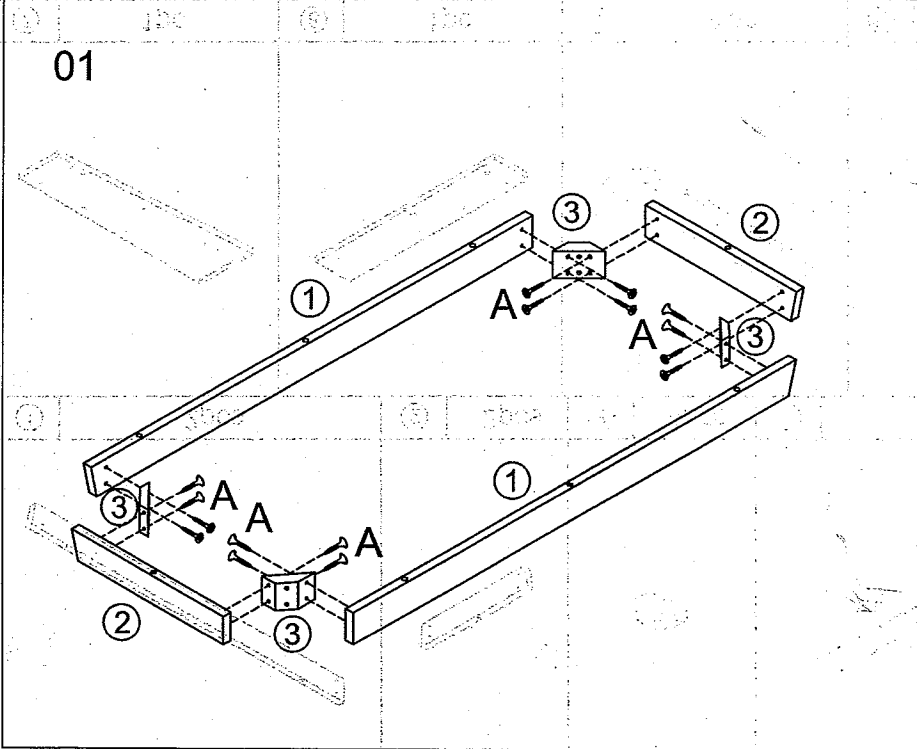
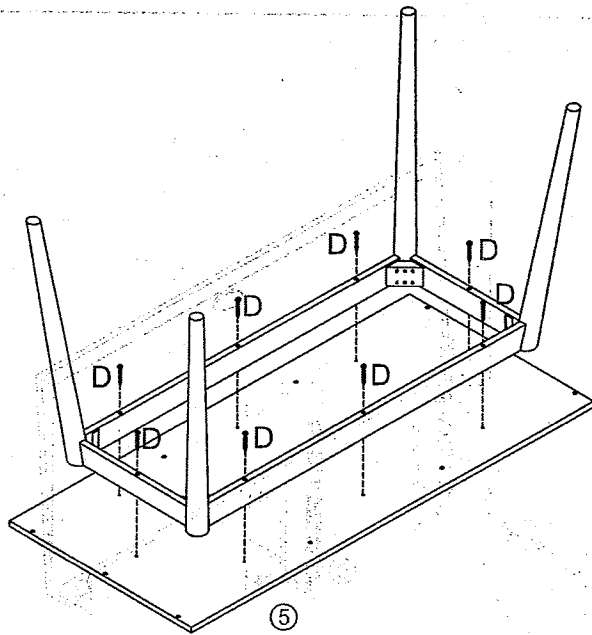
	
① 2pcs	② 2pcs	③ 4pcs	④ 4pcs	⑤ 1pc	⑥ 1pc	
						
⑦ 1pc	⑧ 1pc	⑨ 1pc	⑩ 1pc	⑪ 1pc		
						
⑫ 2pcs	⑬ 2pcs	⑭ 2pcs	⑮ 2pcs	⑯ 2pcs	⑰ 1pc	⑱ 1pc
						
⑲ 1pc						

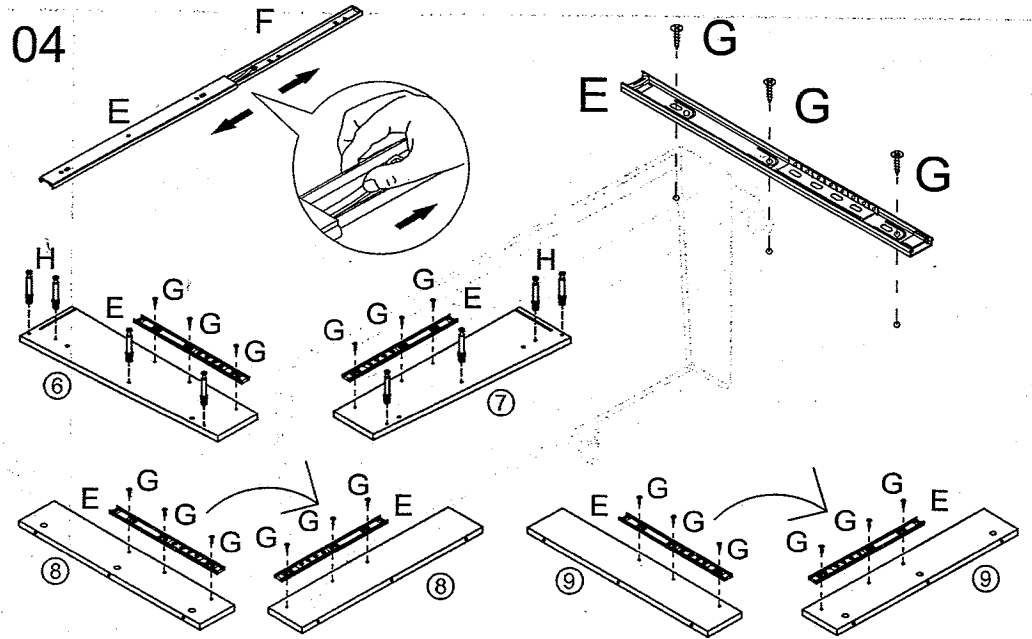
							
A 16pcs	B 8pcs	C 8pcs	D 8pcs	E 3pcs	F 3pcs	G 36pcs	
							
H 23pcs	I 23pcs	J 22pcs	K 20pcs	L 8pcs	M 1pc	N 1pc	



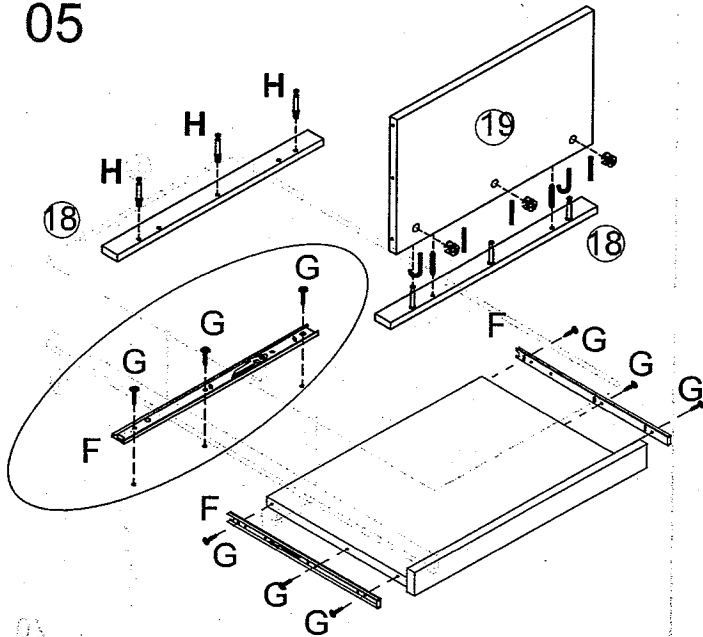
03



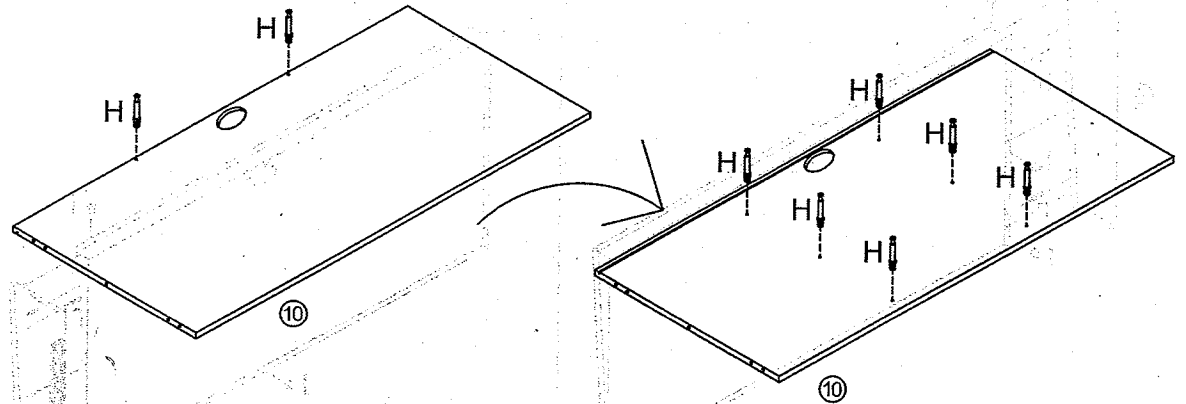
04

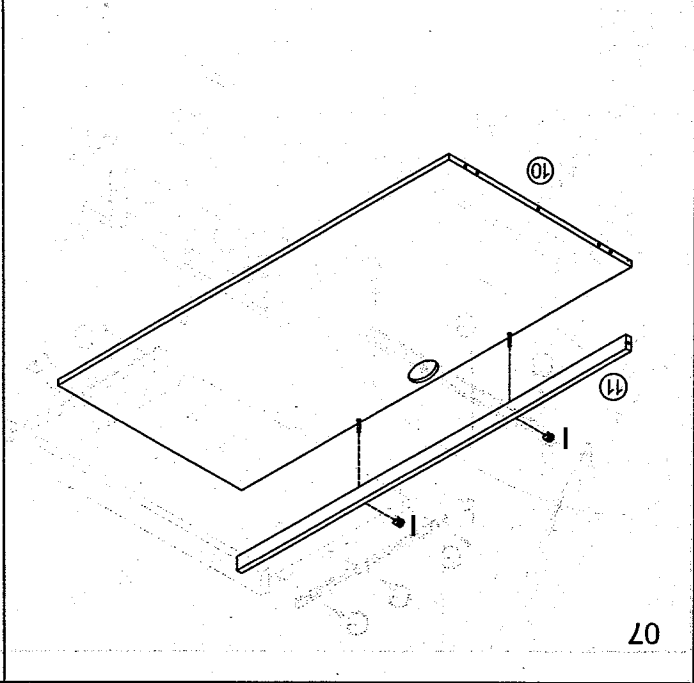
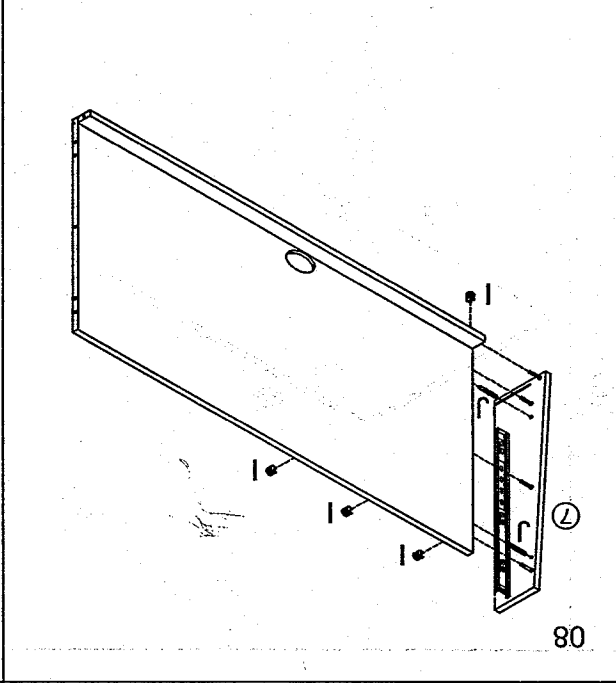
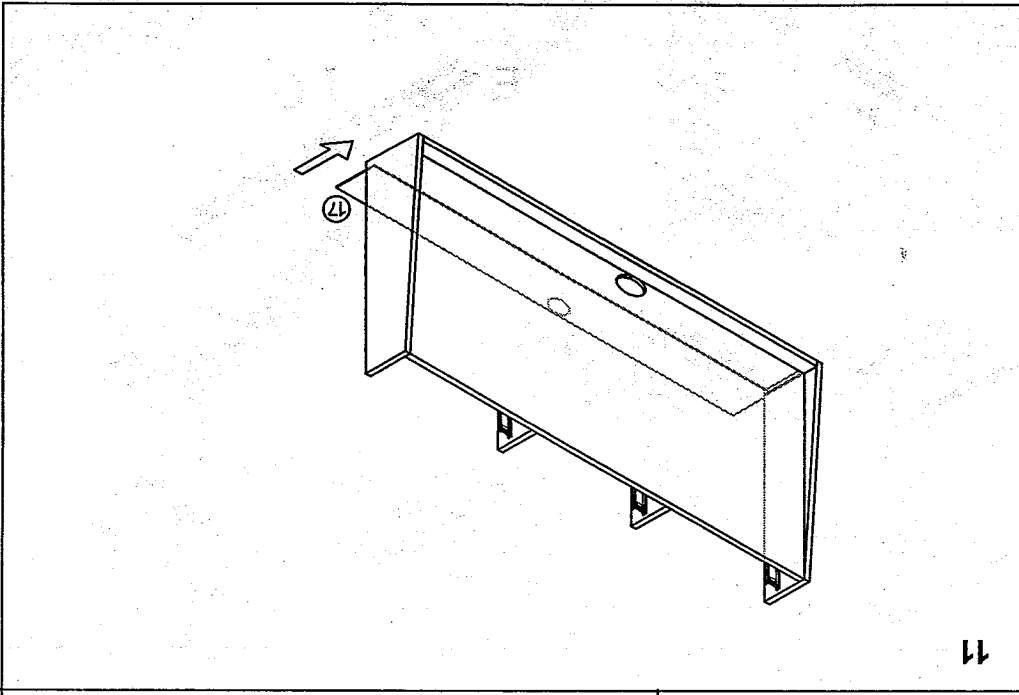
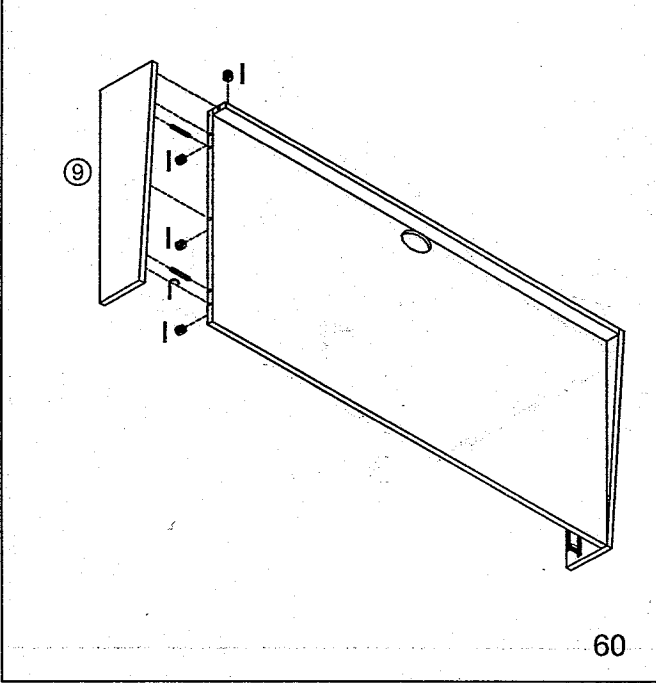
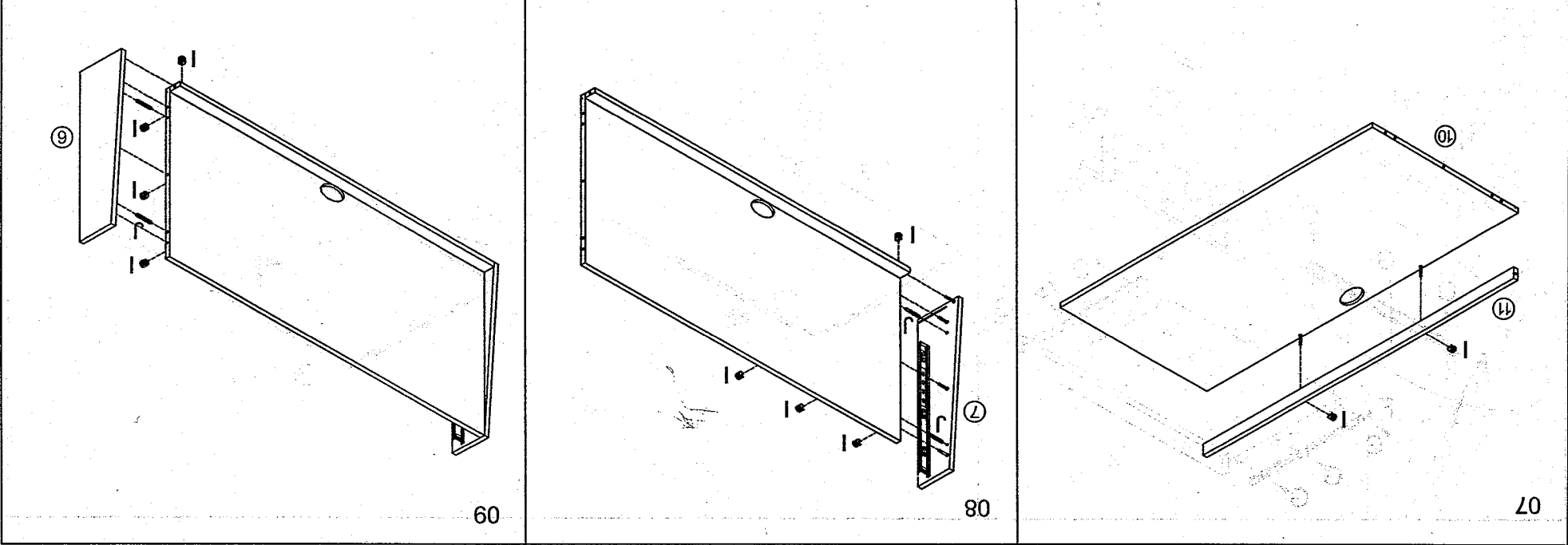


05

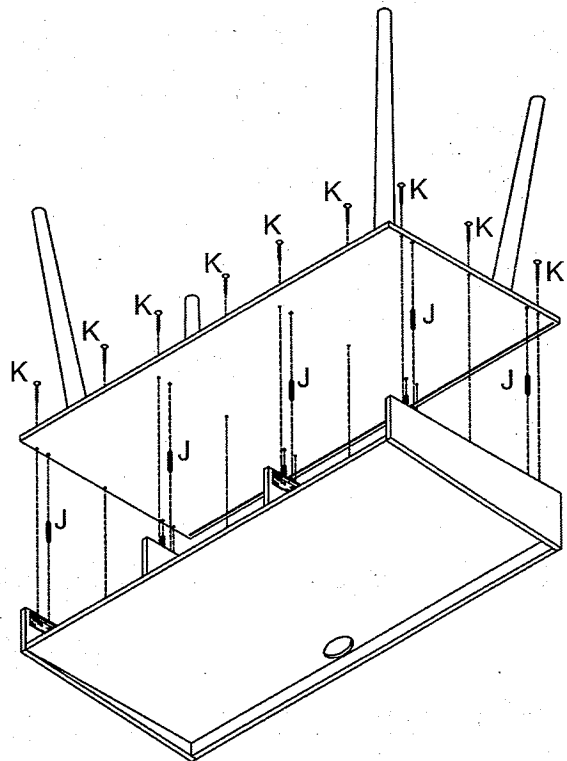


06

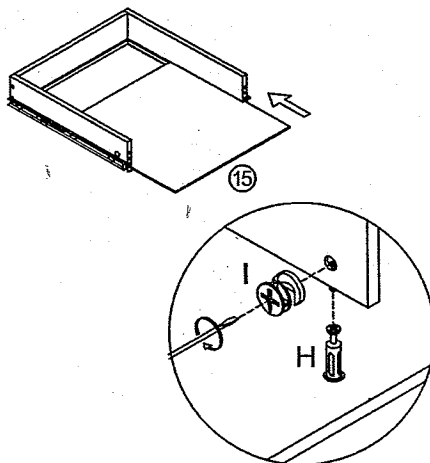




12

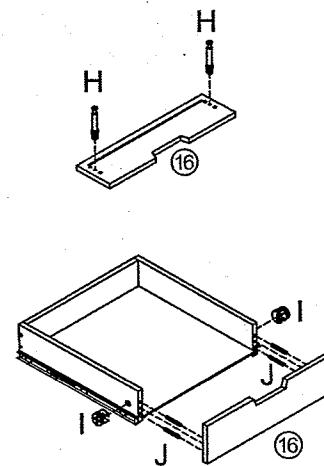


14



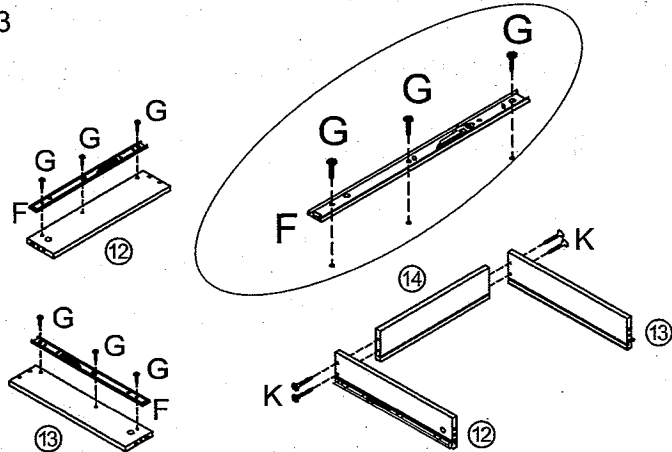
X2

15



X2

13



X2

16

