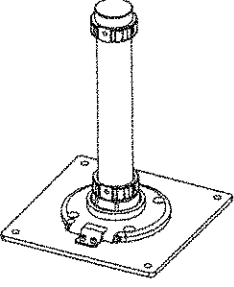
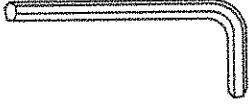
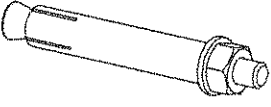


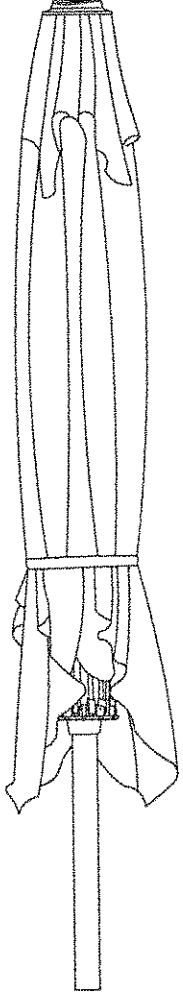
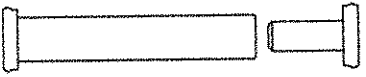

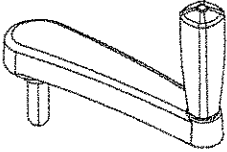
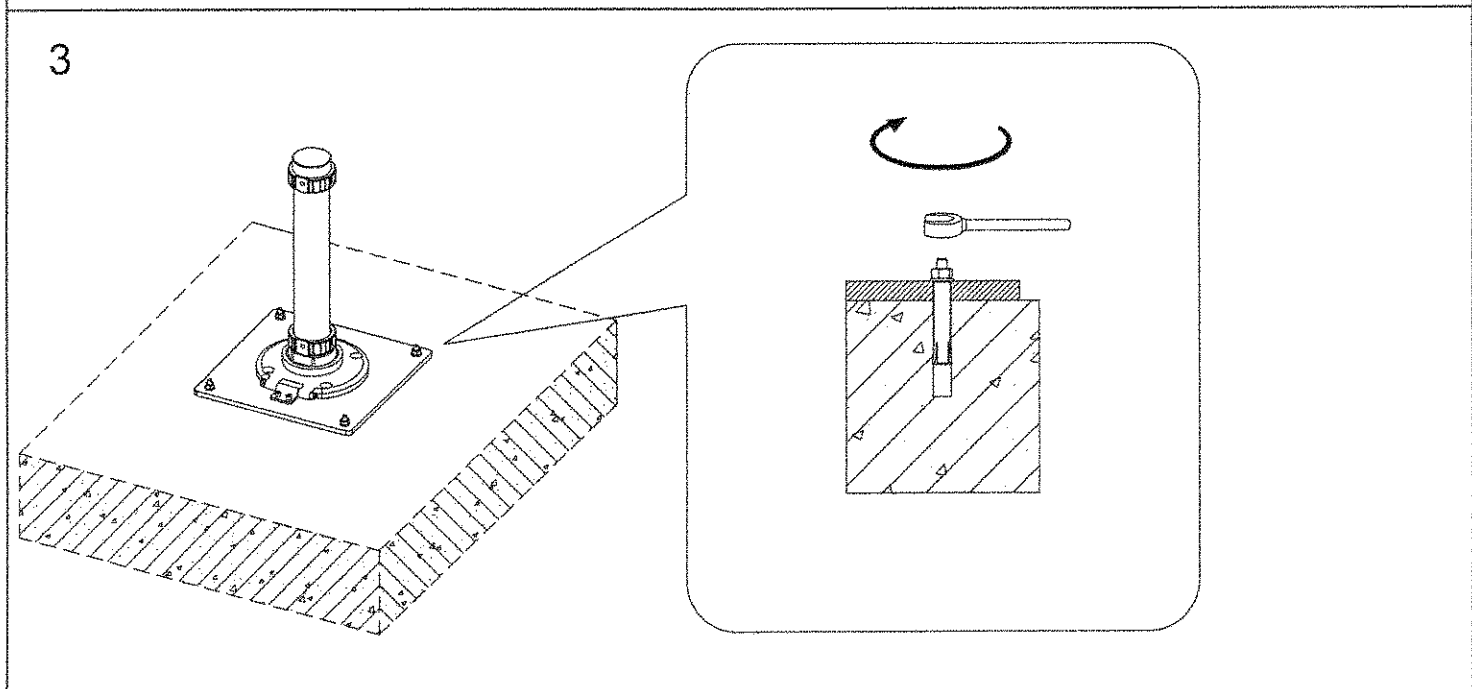
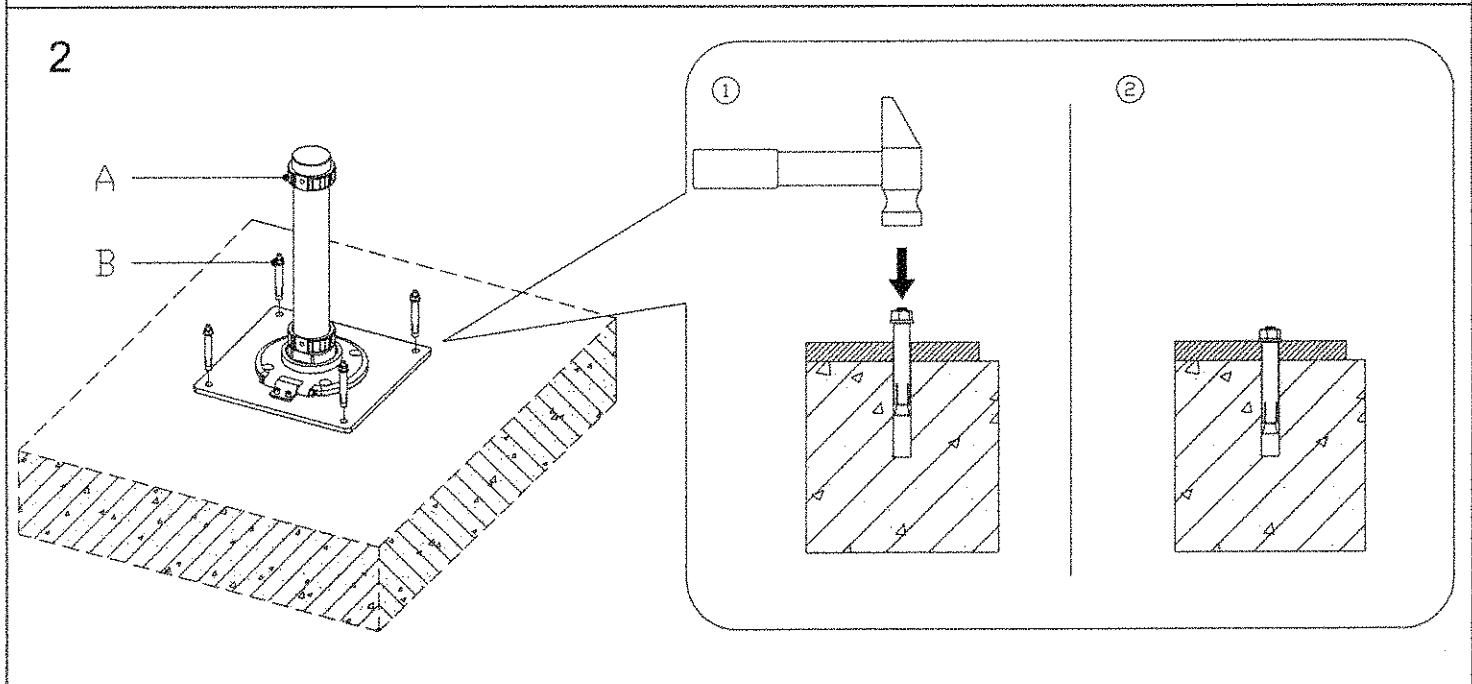
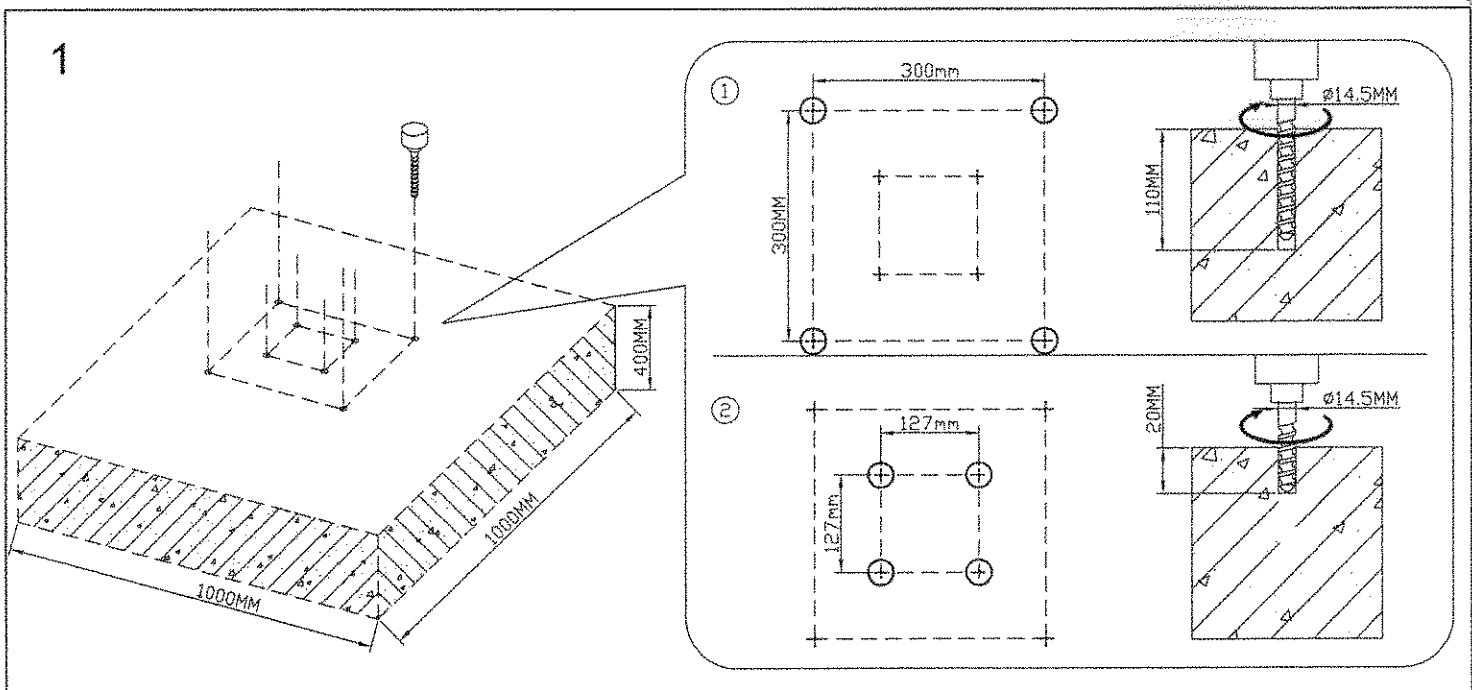
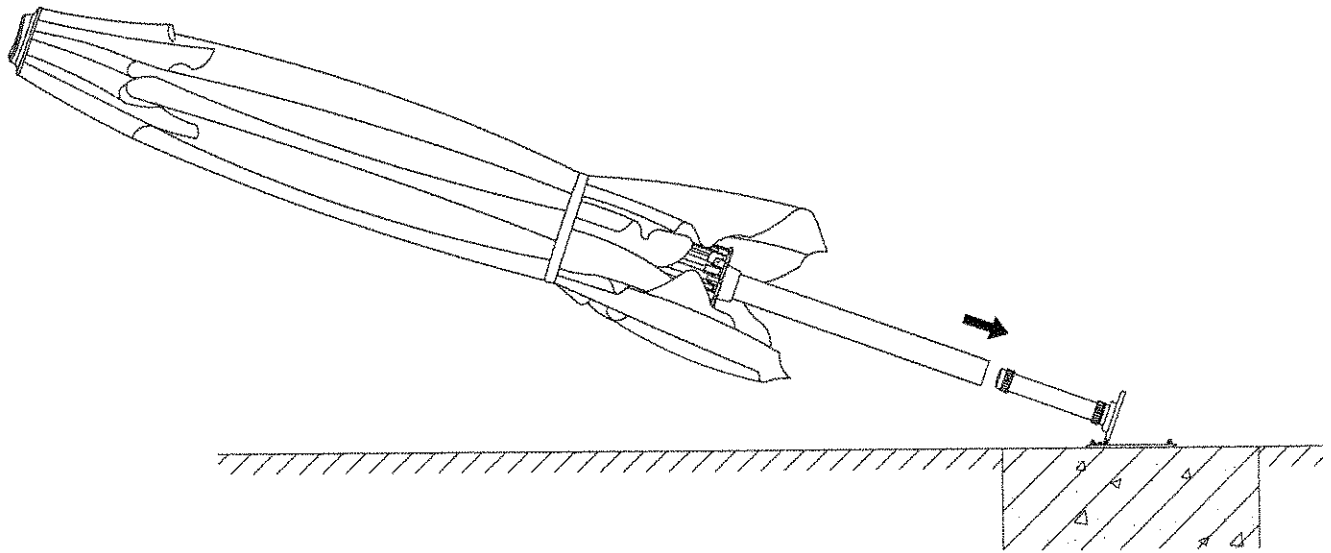




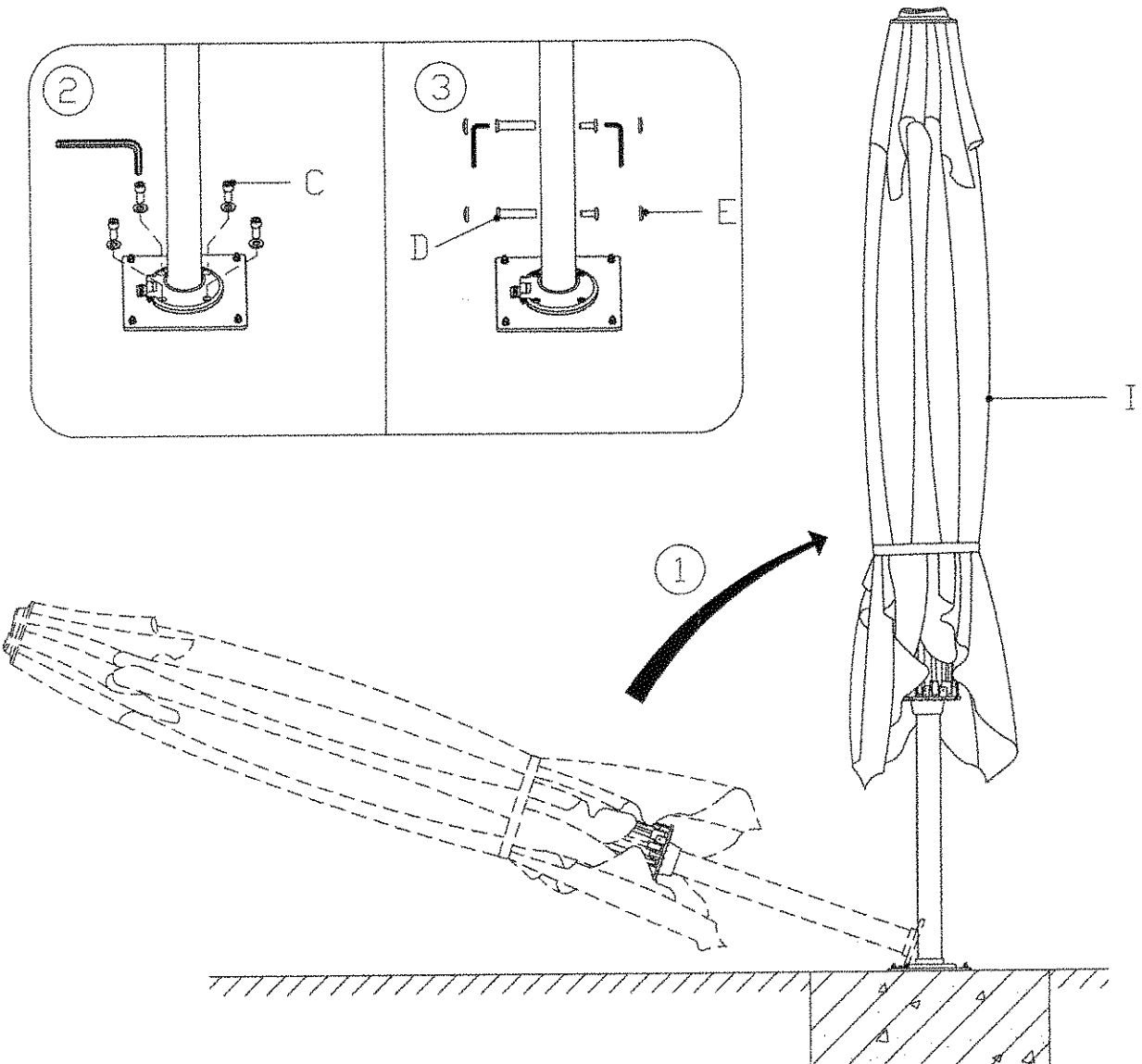
A		1	G	 (S=8)	1
B	 (M10*100)	4	H	 (S=4)	2
C	 (M10*20)	4	I		1
D		2			
E		4			
F		1			



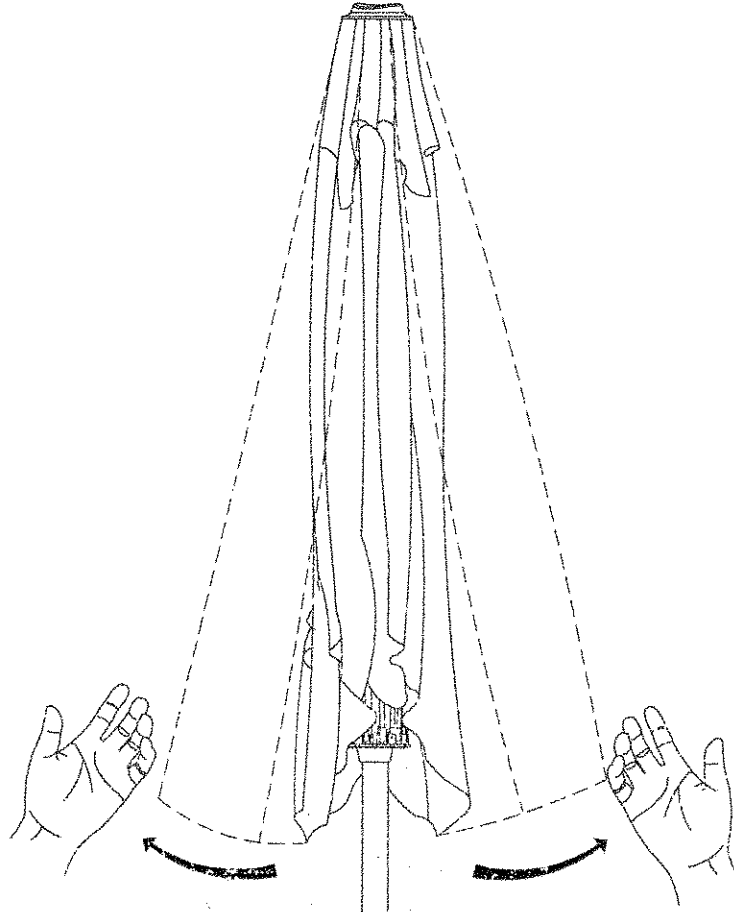
4



5



6



7

