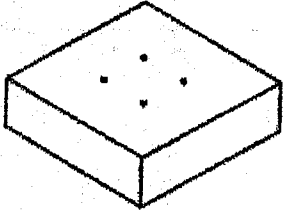
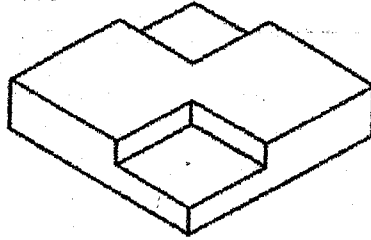


ASSEMBLY INSTRUCTION

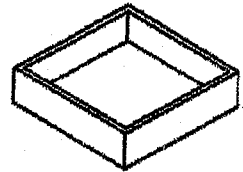
1-1x



2-1x



3-2x



A-1x



B-8x



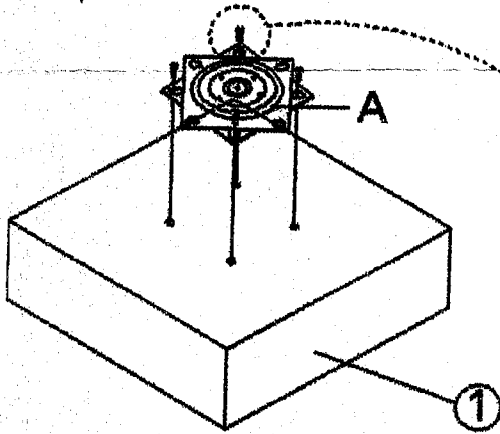
M6x20

C-4x

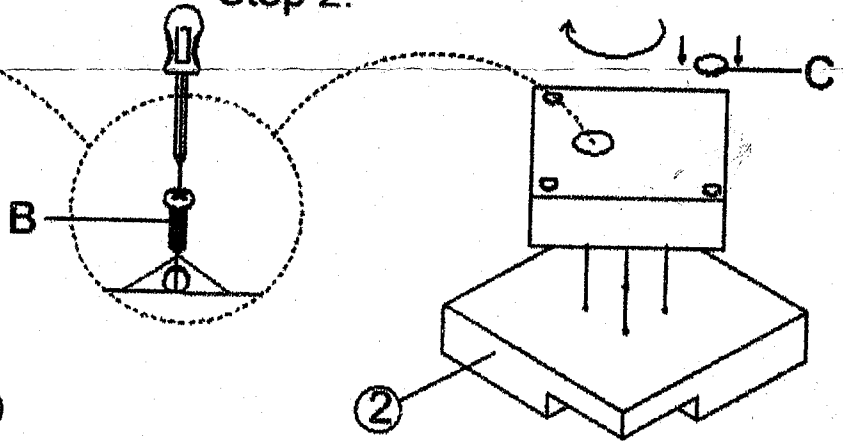


Ø35

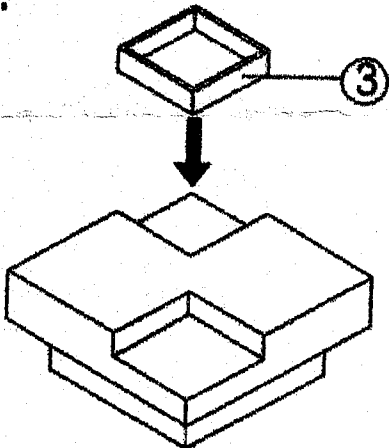
Step 1:



Step 2:



Step 3:



Step 2:

