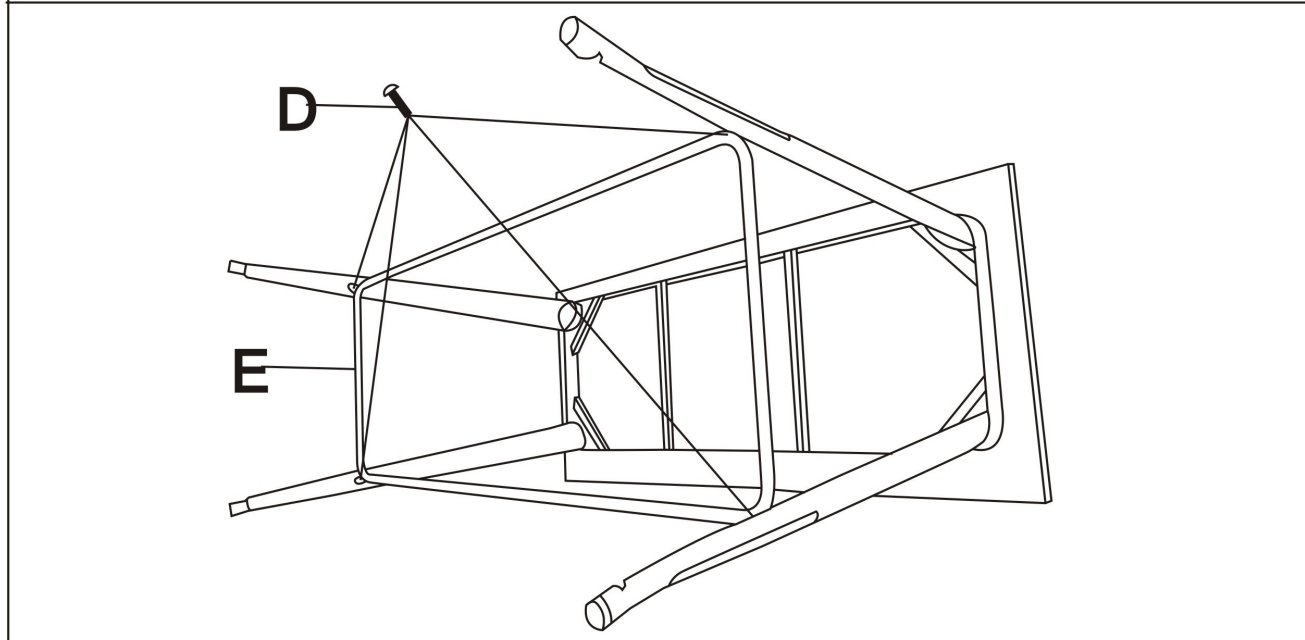
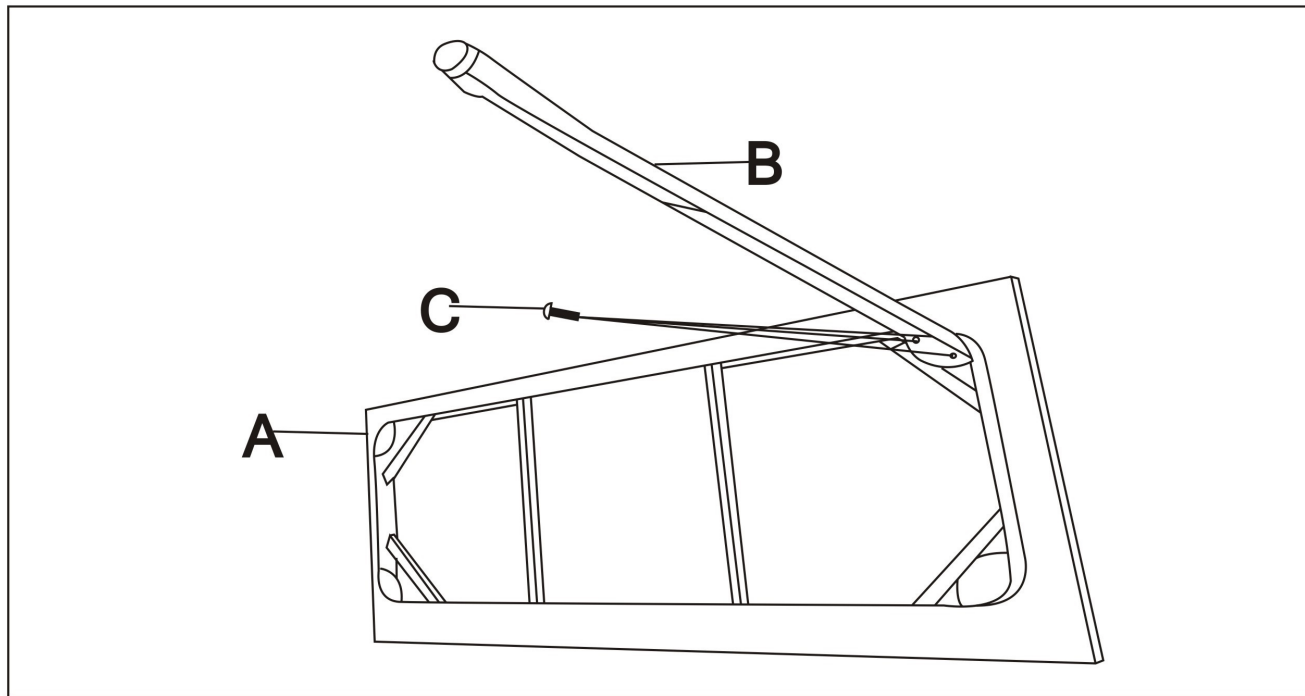
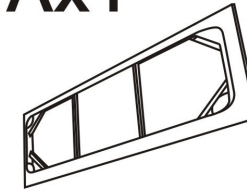


Assembly Instruction 72494



Ax1



Fx1



Bx4

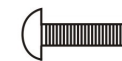


Cx12



6X12 mm

Dx4



6X16mm

Ex1

