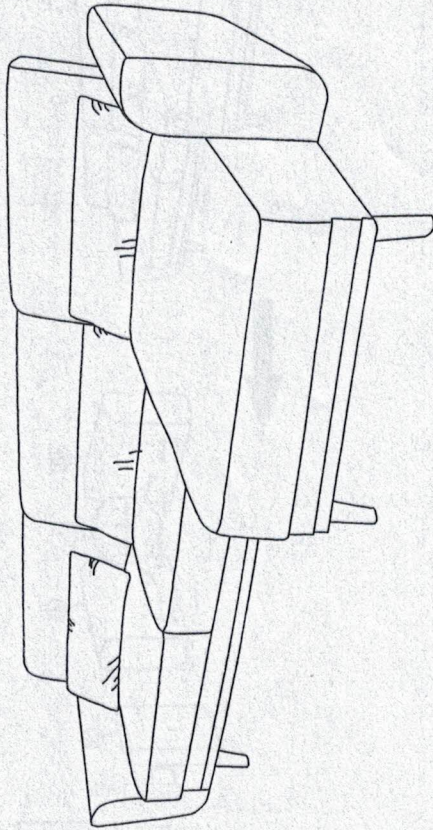
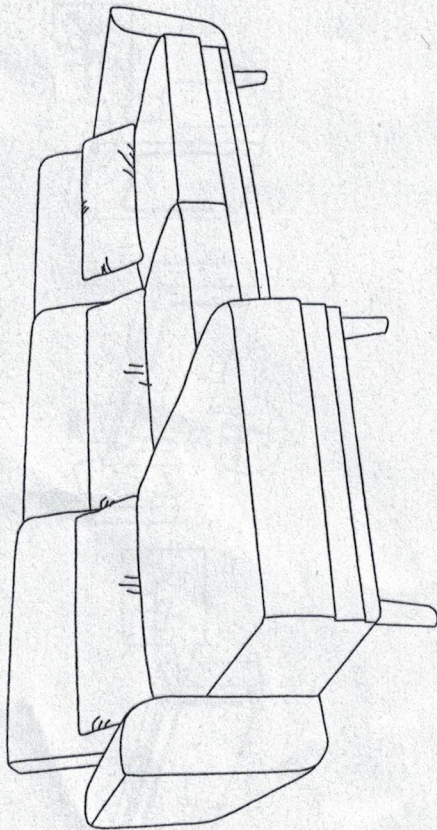


# ASSEMBLY INSTRUCTION

## MLM-502580




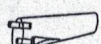










### ASSEMBLY

### INSTRUCTIONS

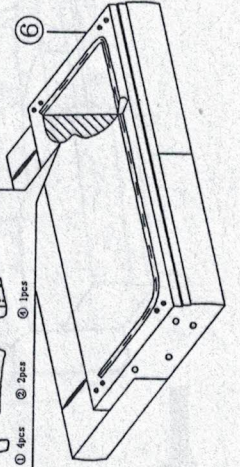
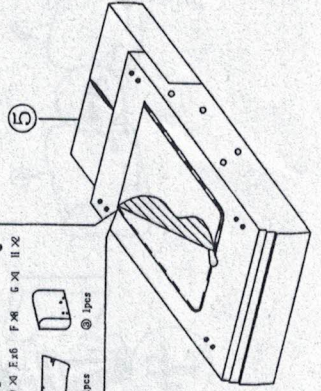
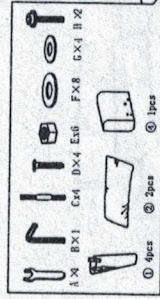
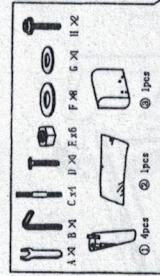


### PARTS AND HARDWARE

Note: Individual parts are not shown to scale.

	* M14	5 × 25 × 66mm	Ø8 × 90mm	Ø8 × 65mm	Ø8 × 17mm	M8 × 120mm			① 8pcs
	A × 2	B × 2	C × 8	D × 8	F × 16	G × 8	H × 4		② 3pcs
									③ 1pcs
									④ 1pcs
									⑤ 1pcs
									⑥ 1pcs

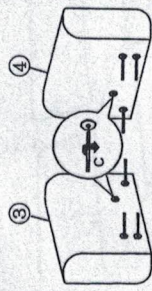
### Step 1



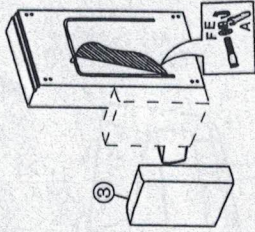


# OPERATING YOUR UNIT

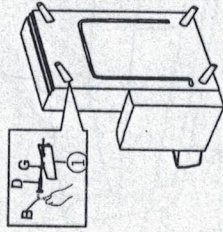
Step 2



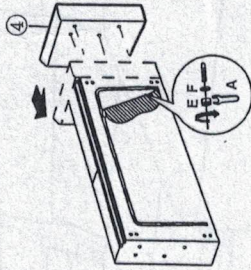
Step 3



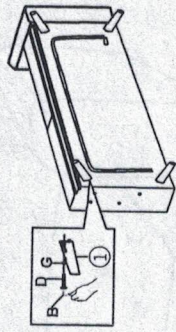
Step 4



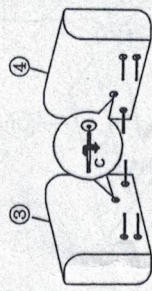
Step 5



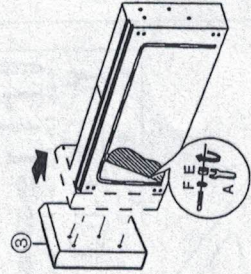
Step 6



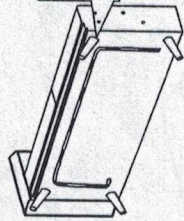
Step 2



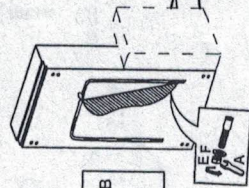
Step 3



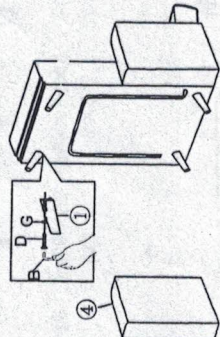
Step 4



Step 5



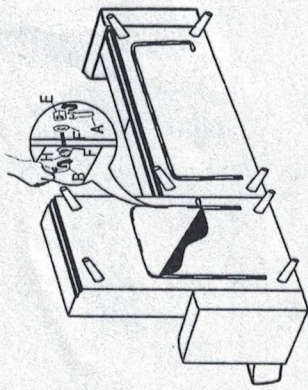
Step 6



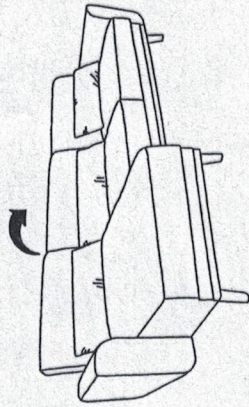


# OPERATING YOUR UNIT

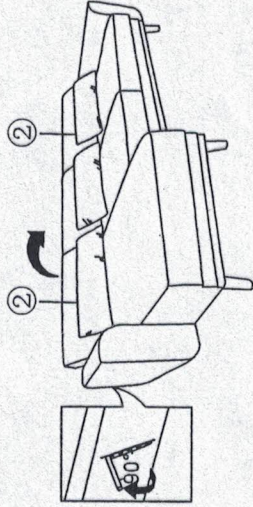
Step 7



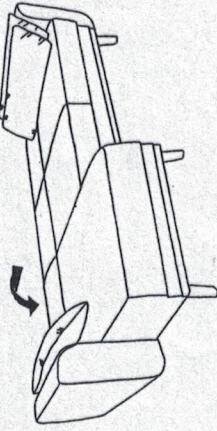
Step 8



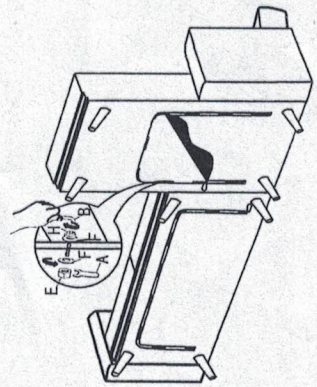
Step 9



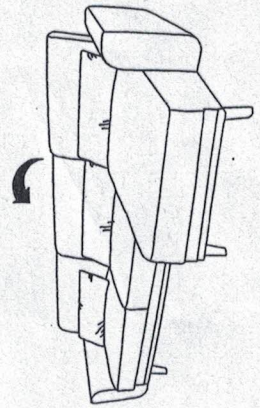
Step 10



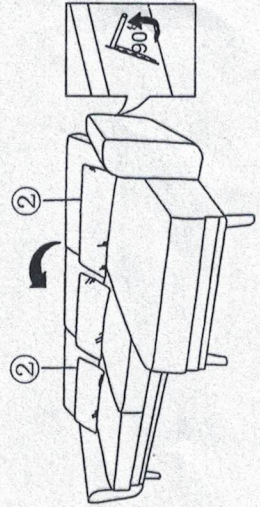
Step 7



Step 8



Step 9



Step 10

