

ASSEMBLY INSTRUCTIONS

PARTS AND HARDWARE

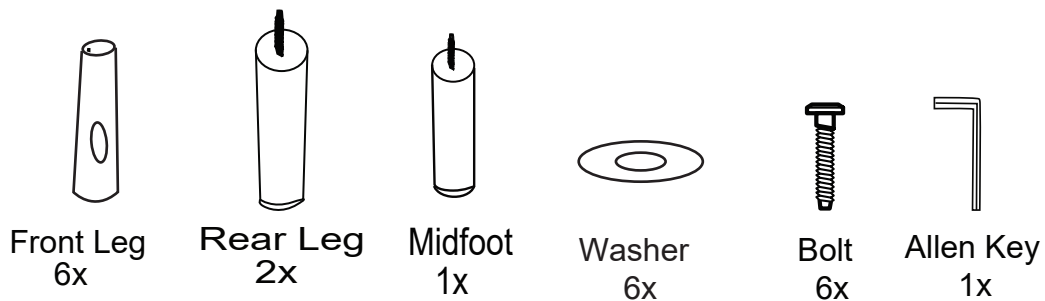


DIAGRAM 1

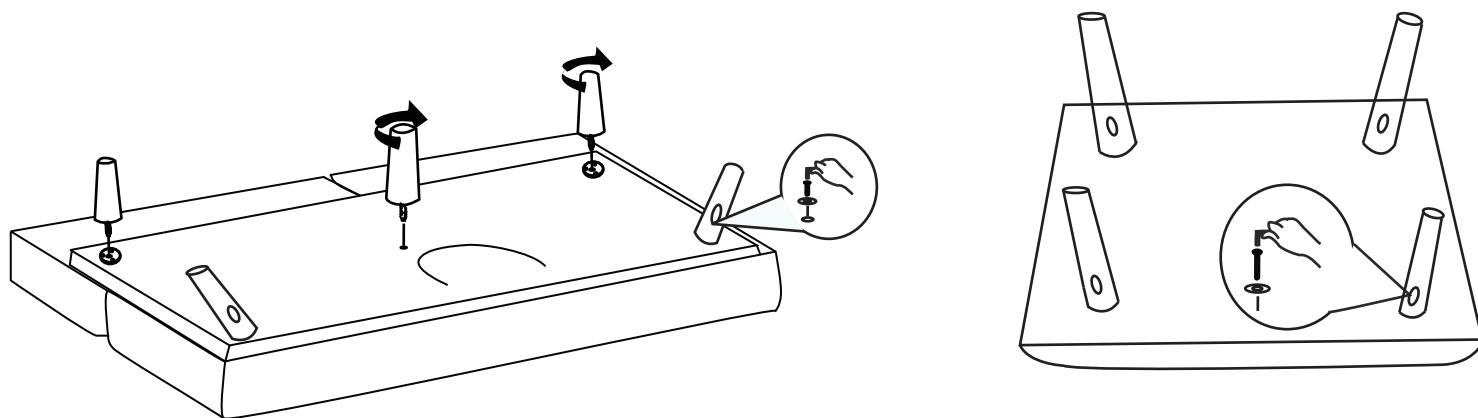
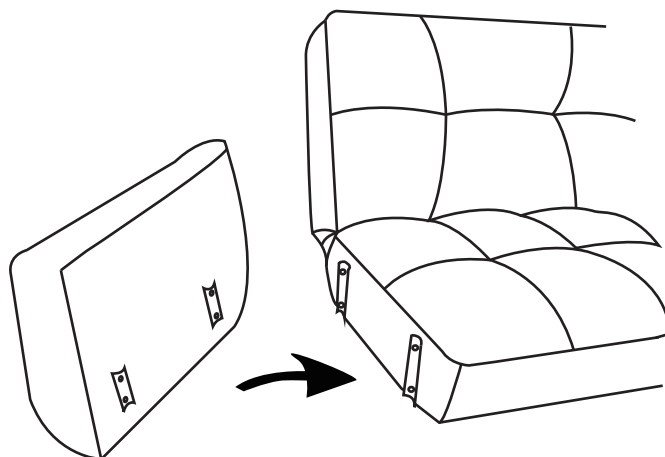


DIAGRAM 2



ASSEMBLY INSTRUCTIONS

DIAGRAM 3

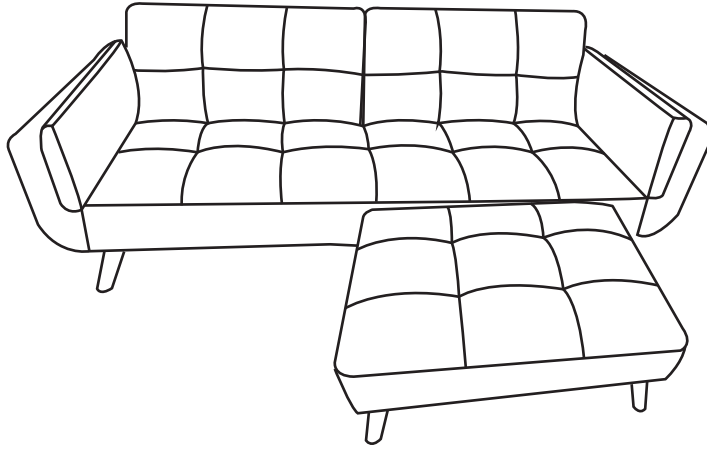


DIAGRAM 4

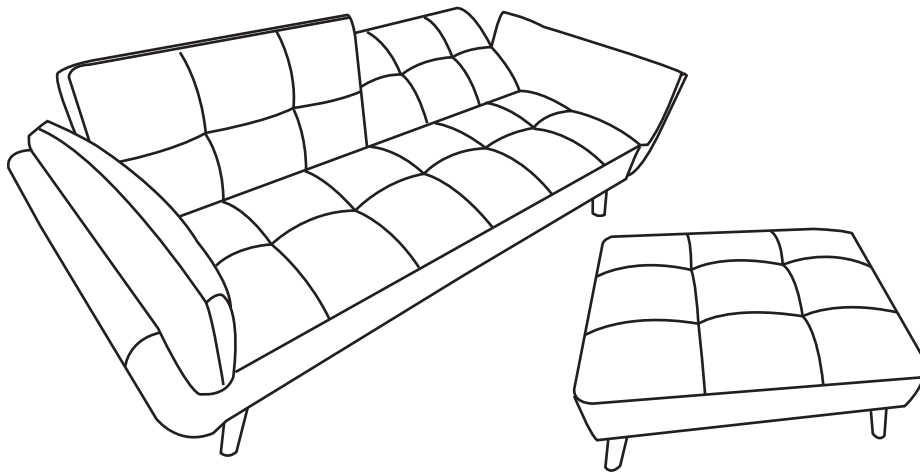


DIAGRAM 5

