

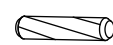




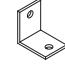

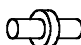

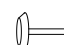




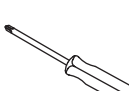
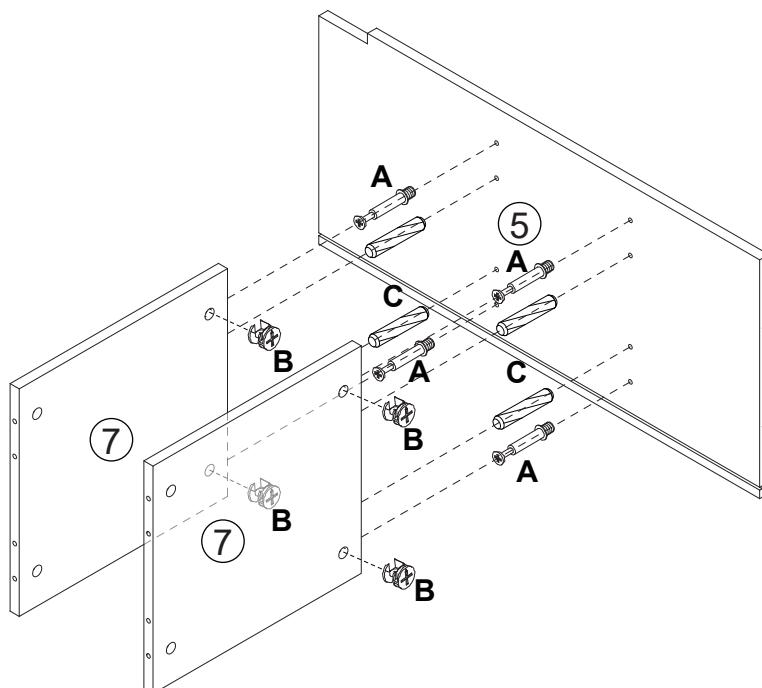





A	x26	B	x26	C	x30	D	x7	E	x12	F	x12
											
M6*35mm		φ 15*10mm		M8*30mm		M4*40mm		M3*14mm			
G	x6	H	x3	I	x2	J	x1	K	x6	L	x6
											
M6*12mm								M4*12mm			
M	x2	N	x2								
											

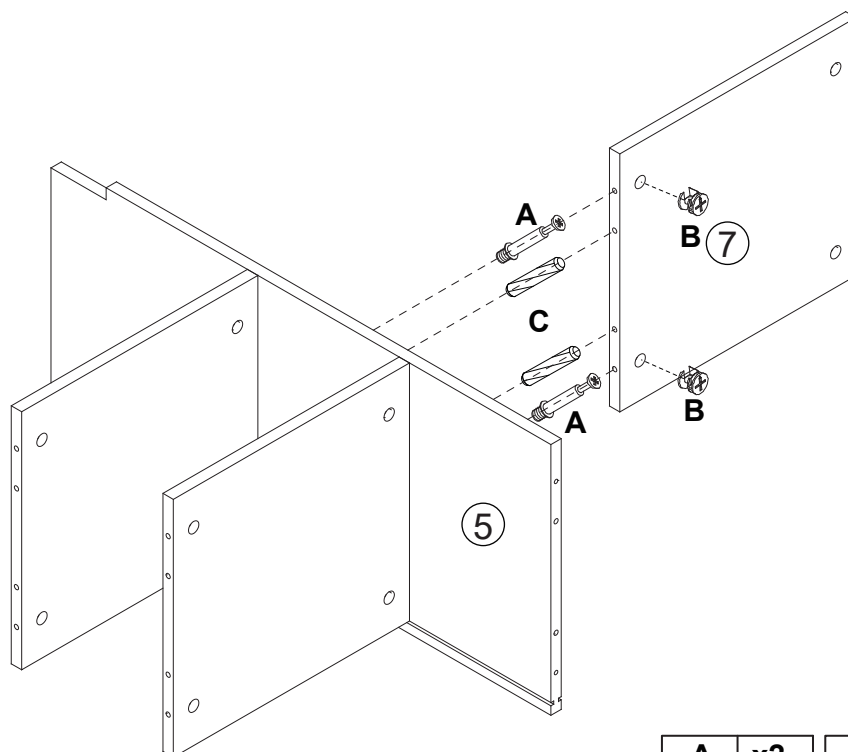
 45 MIN		 NOT PROVIDED
--	---	--




1



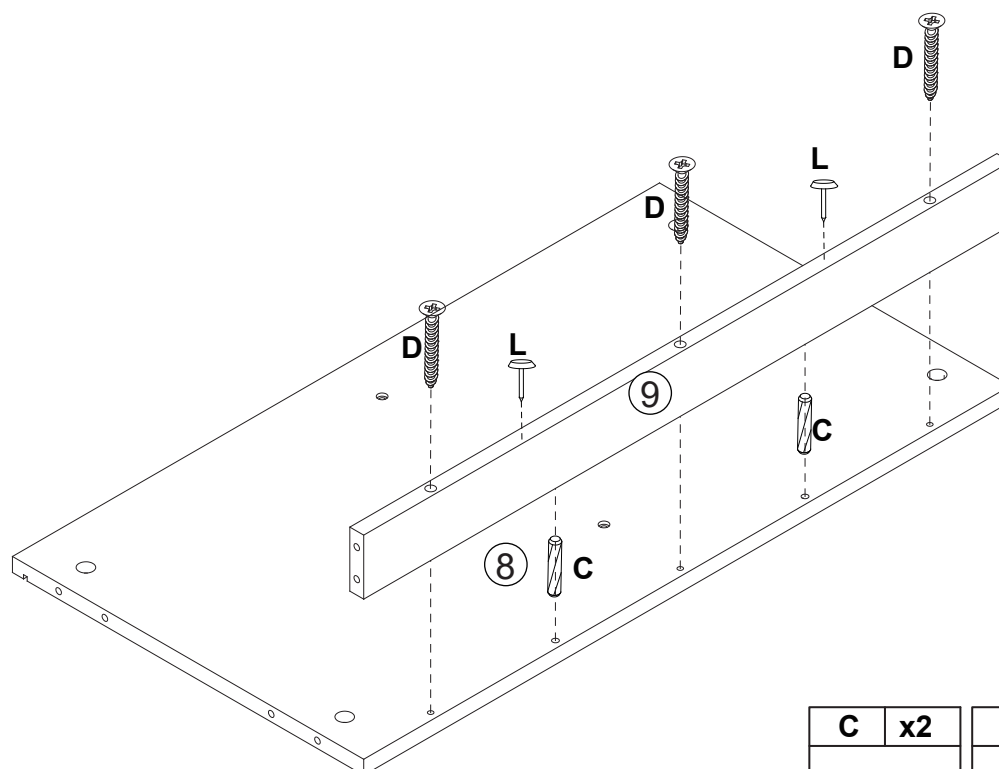
A	x4	B	x4	C	x4
					




2



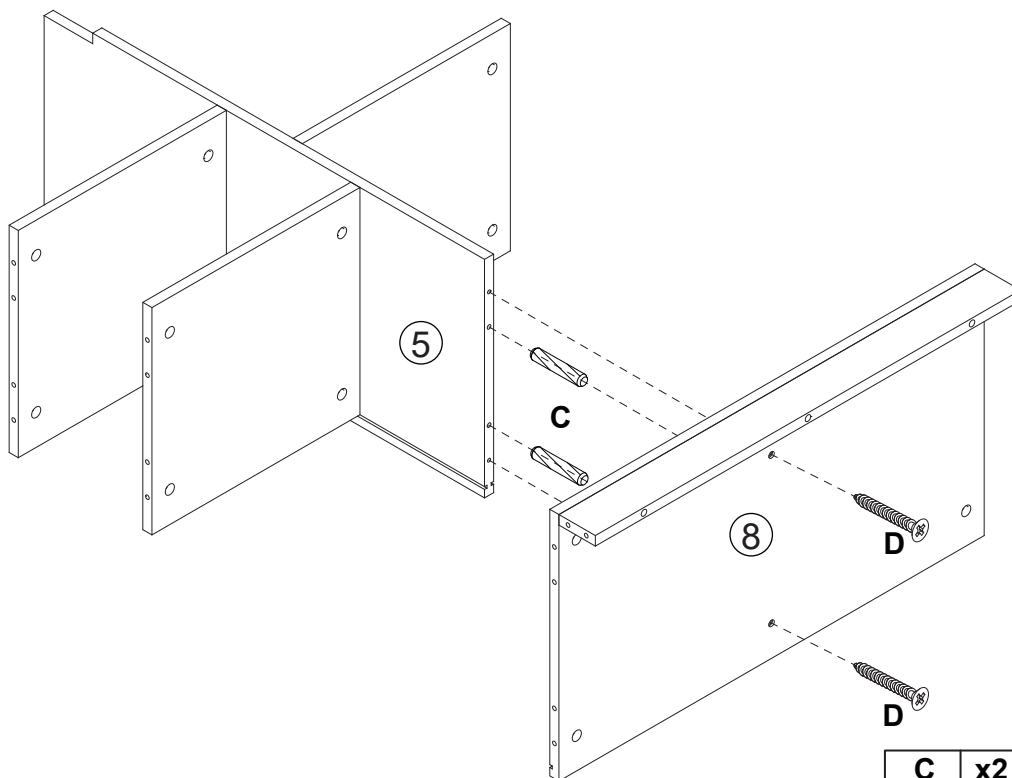
A	x2	B	x2	C	x2
					

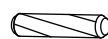

3



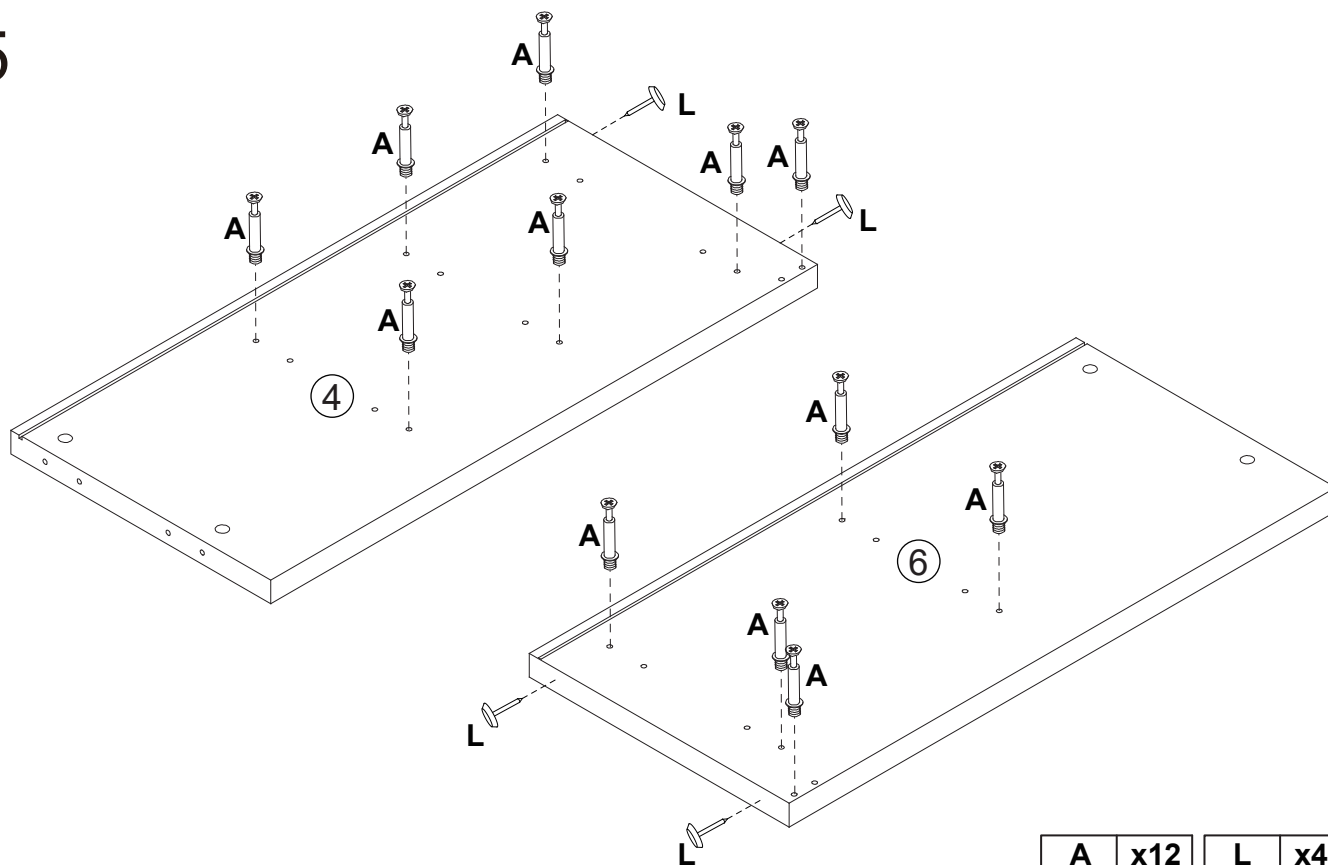
C	x2	D	x3	L	x2
					


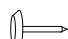
4



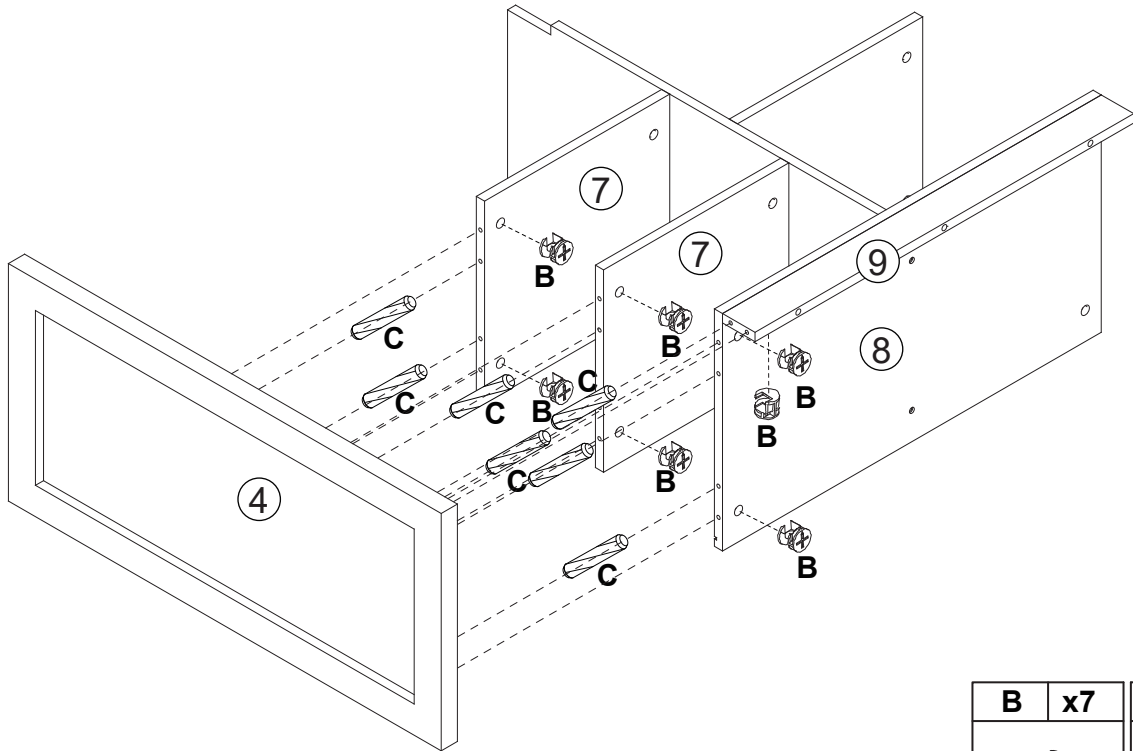
C	x2	D	x2
			


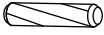
5



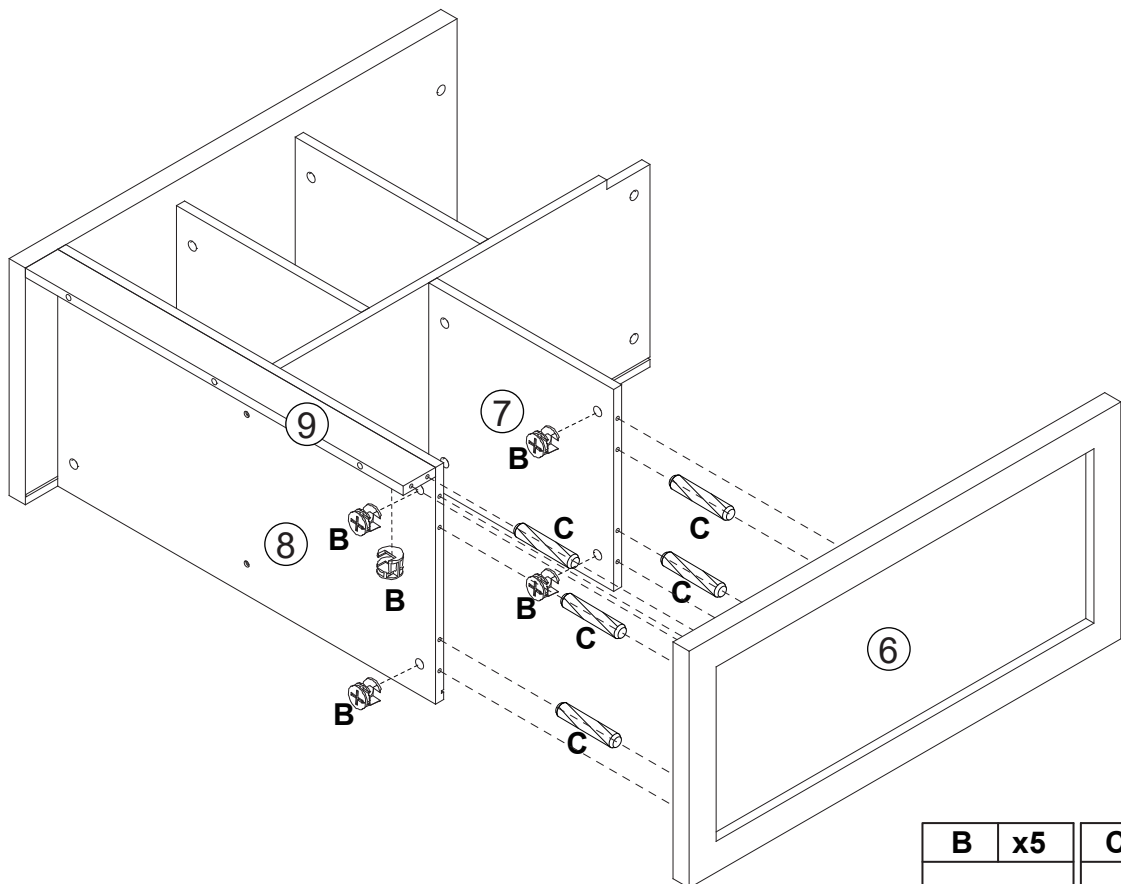
A	x12	L	x4
			


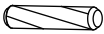
6



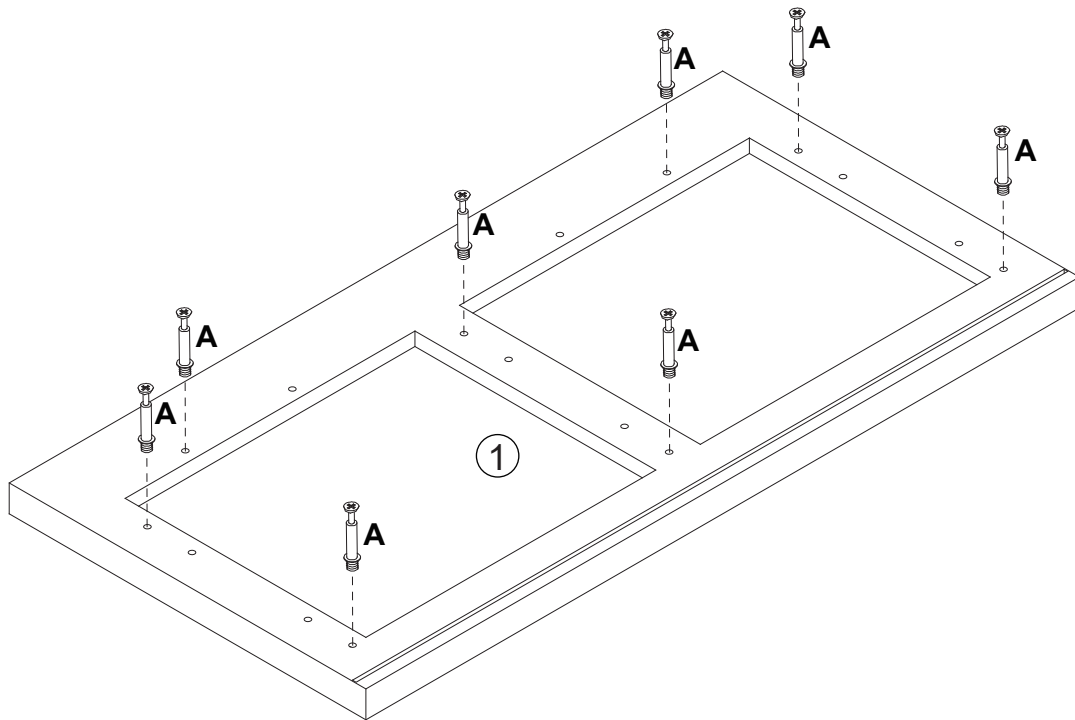
B	x7	C	x7
			


7



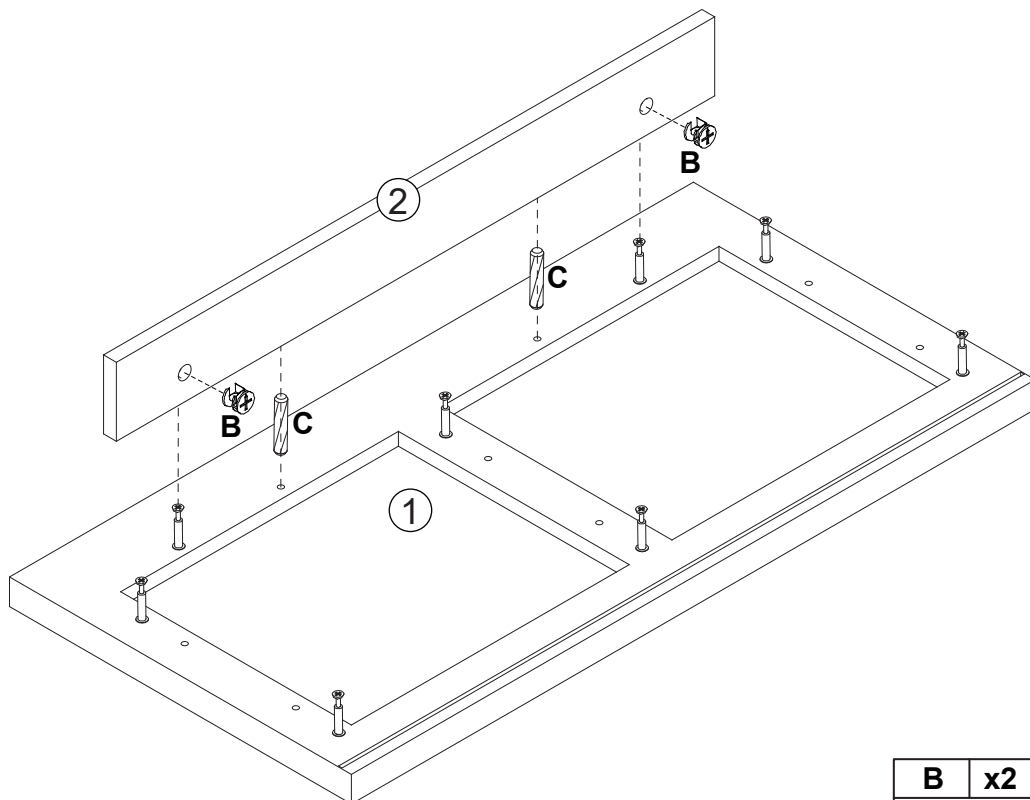
B	x5	C	x5
			



8



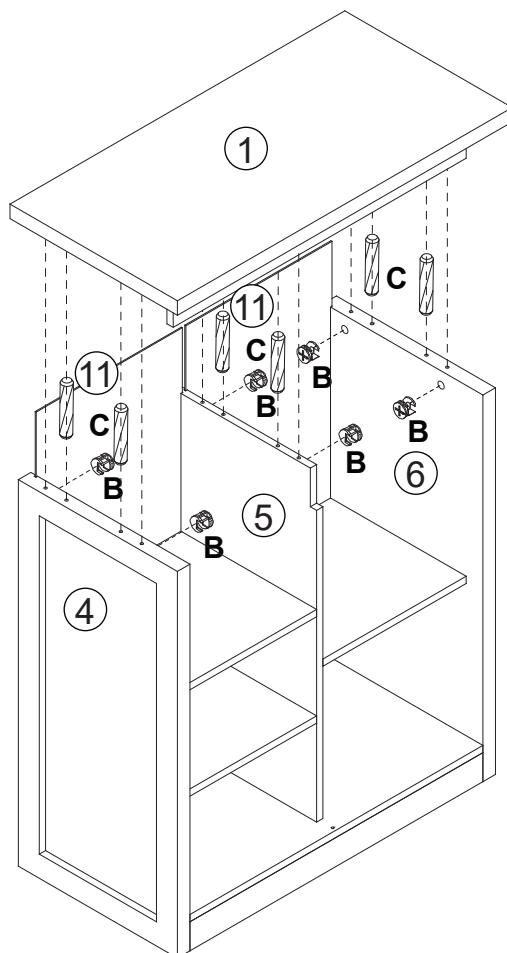
A	x8
	

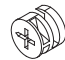
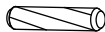
9



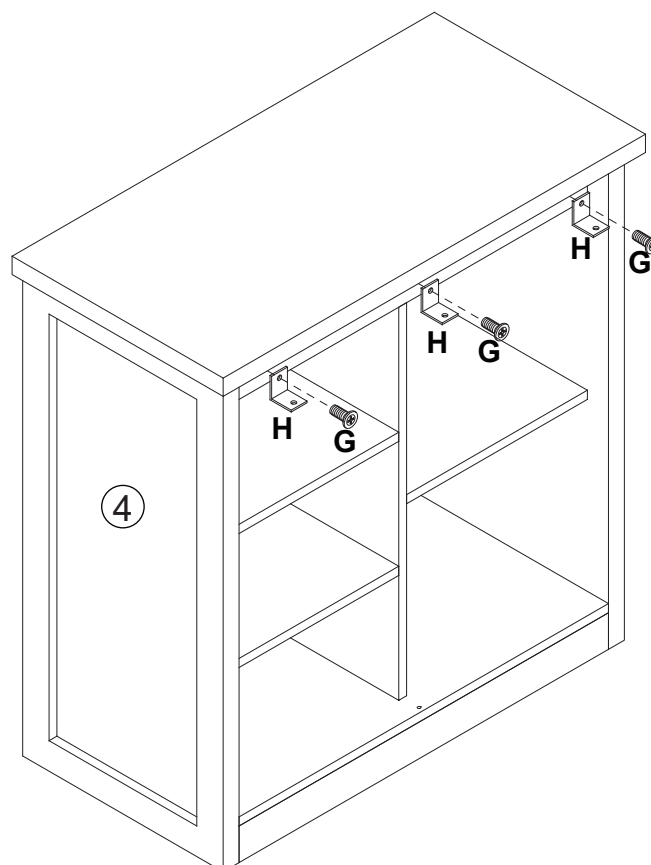
B	x2	C	x2
			



10



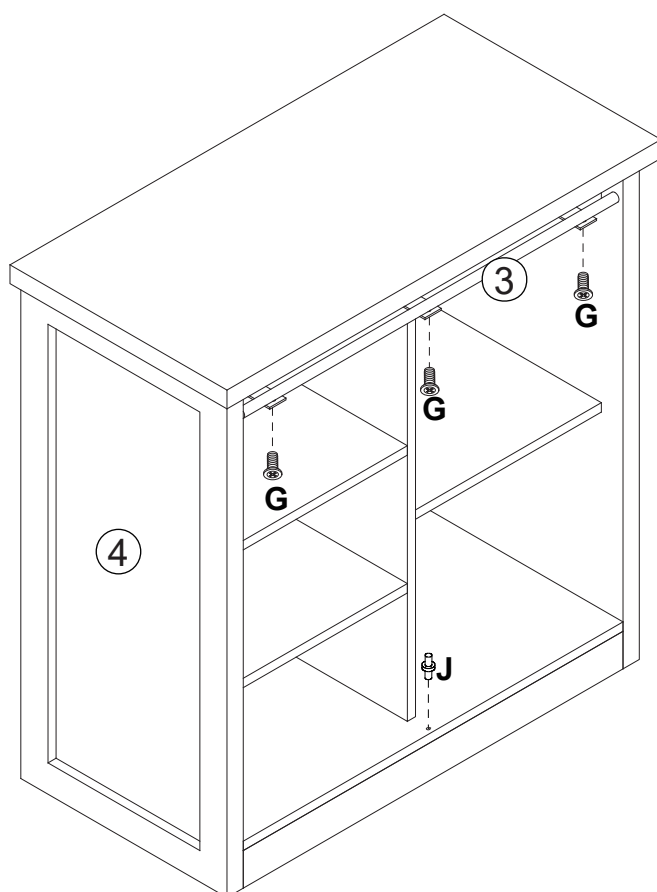
B	x6	C	x6
			


11

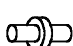


G	x3	H	x3
			

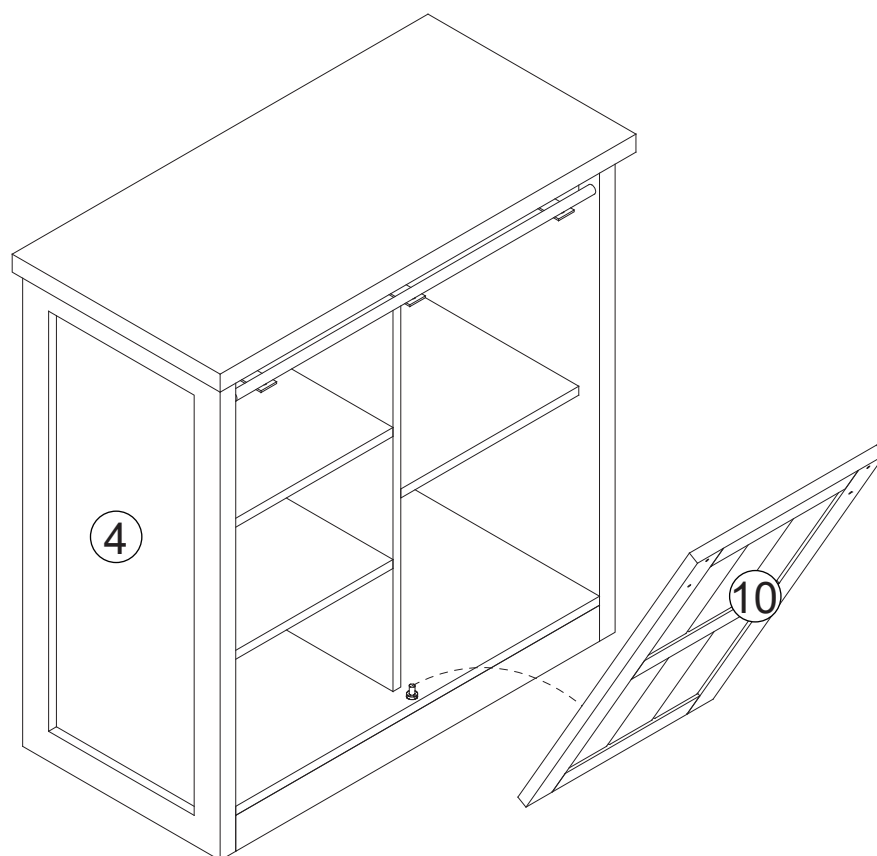
12



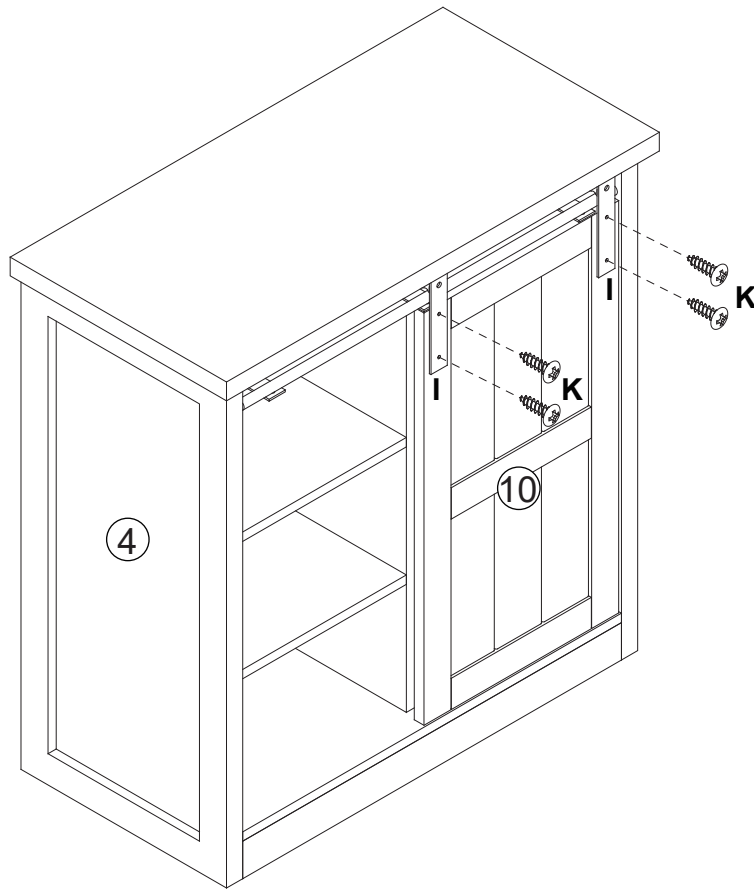
G	x3
	



J	x1
	

13

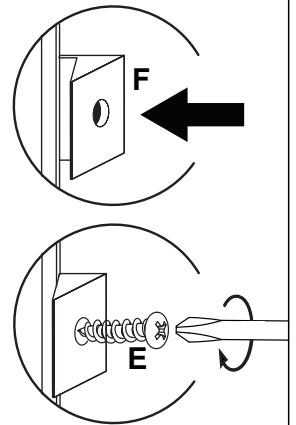
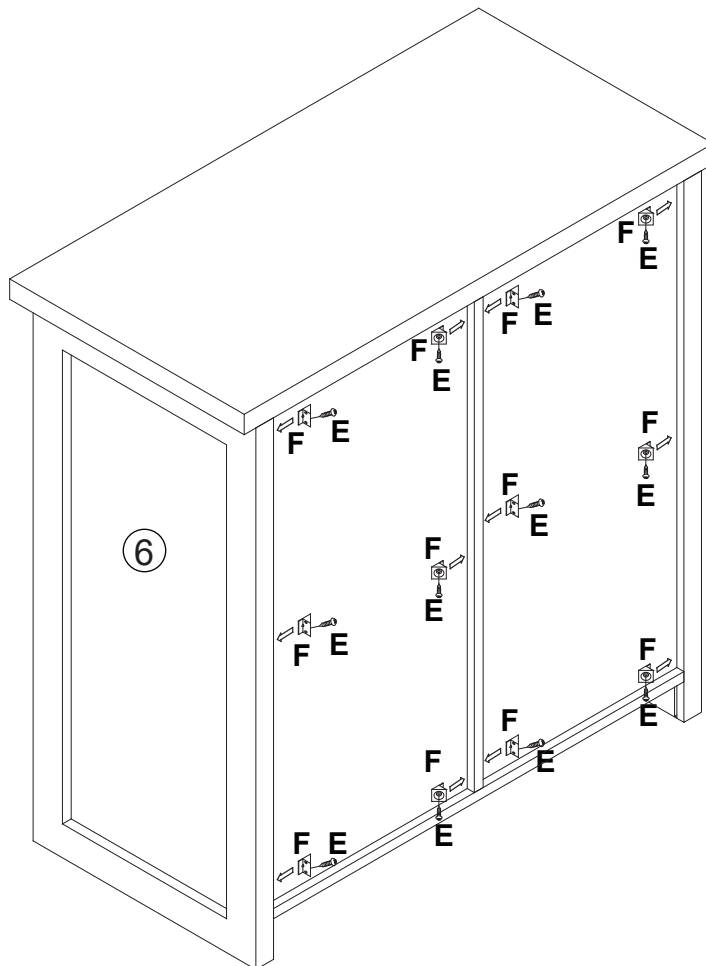




14



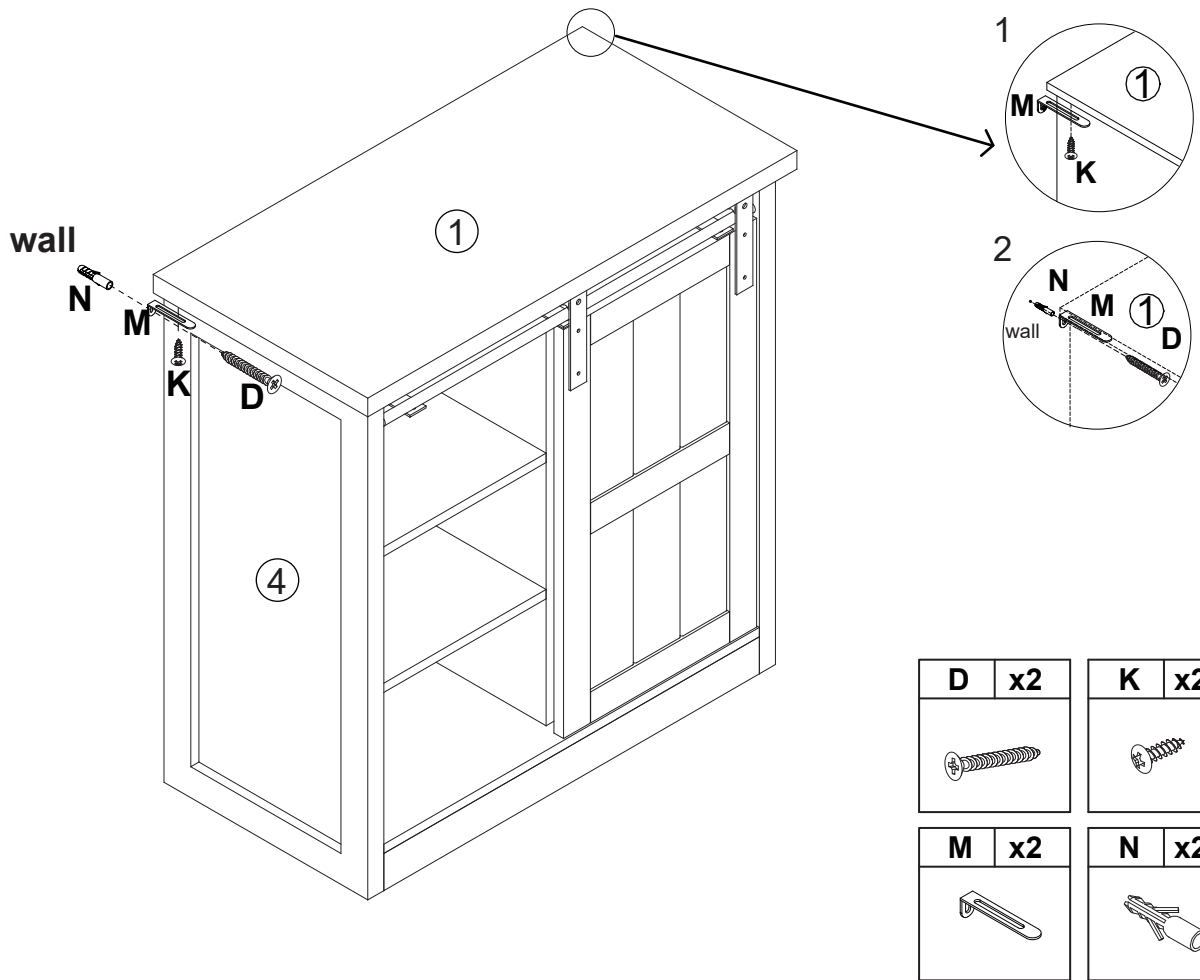
I	x2	K	x4
			

15



E	x12	F	x12
			

16



17

