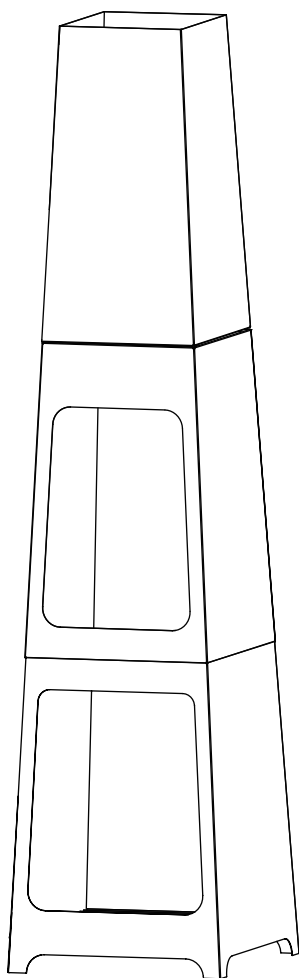


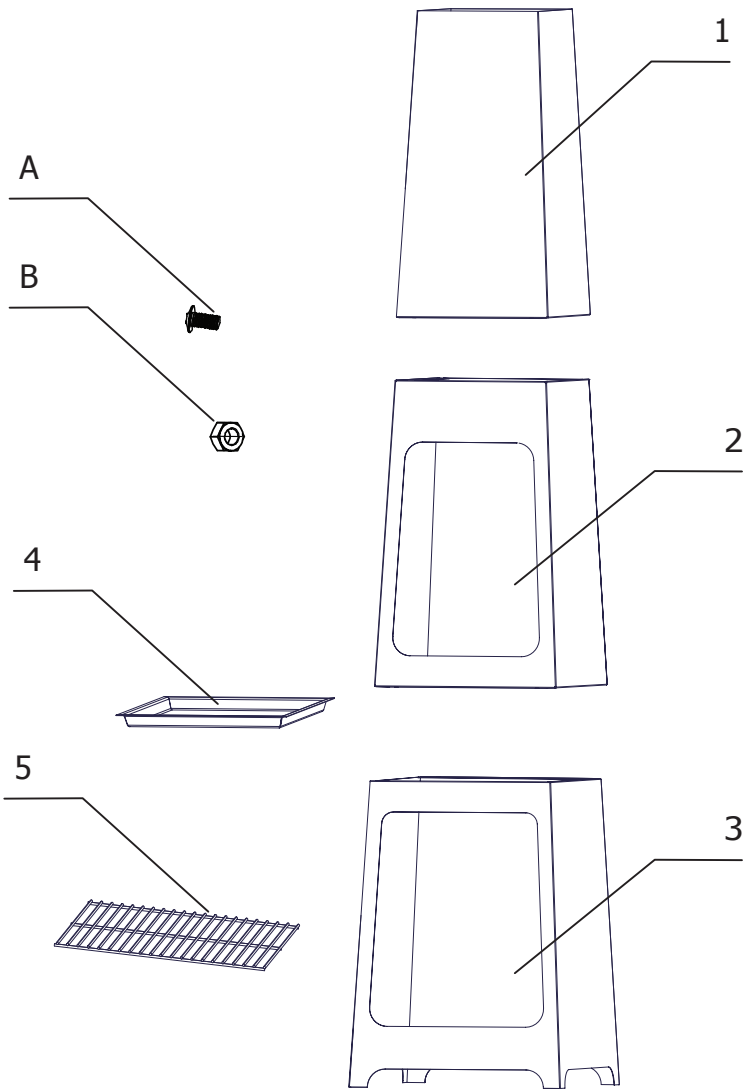
# INSTRUCTION MANUAL

## CHIMNEY FIREPLACE

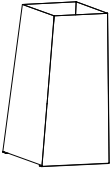
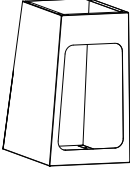
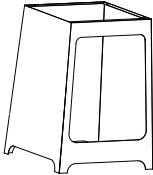
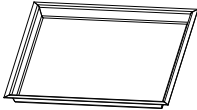
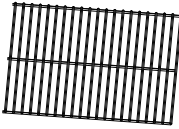




**ITEM NO. 871125226577**

A.I.&E. Adriaan Mulderweg 9-11,  
5657 EM Eindhoven, The Netherlands  
Edco UK Ltd, 1st Floor Two Chamberlain Square,  
B3 3AX, Birmingham, UK

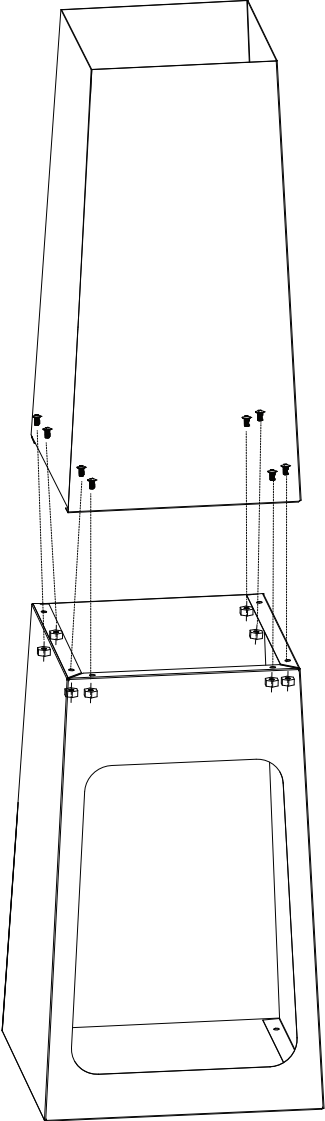


# PART LIST

No.	Desc.	Pic.	Qty
1	Top Body		1
2	Middle Body		1
3	Bottom Body		1
4	Charcoal Tray		1
5	Storage Frame		1
A	Screw M5x12		16
B	M5 Nut		16

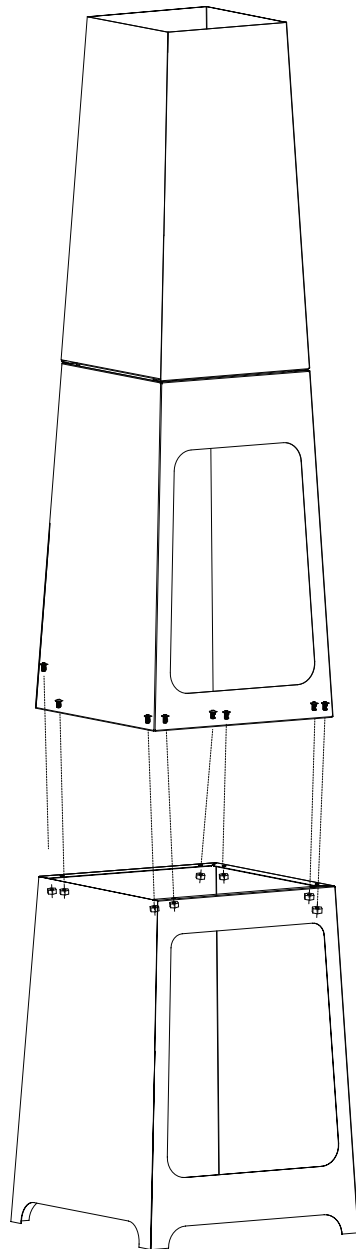
Step 1:

Top body is assembled to middle body with 8pcs M5 screws (A) and M5 nuts (B).



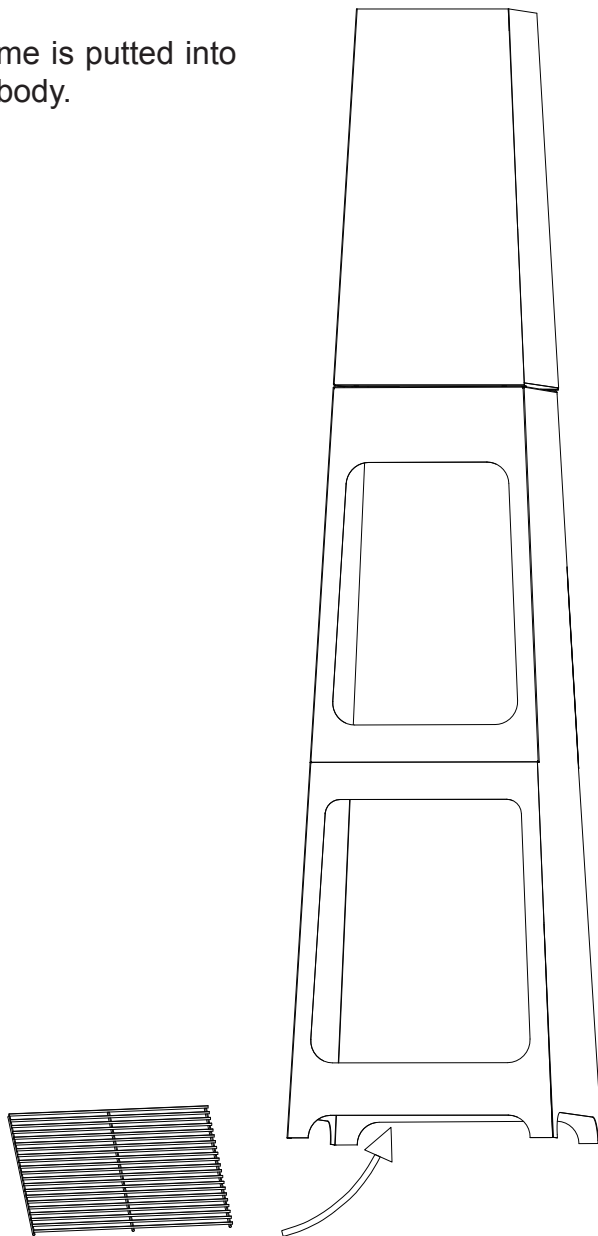
## Step 2 :

The top and middle body is assembled to bottom body with 8pcs M5 screws (A) and M5 nuts (B).



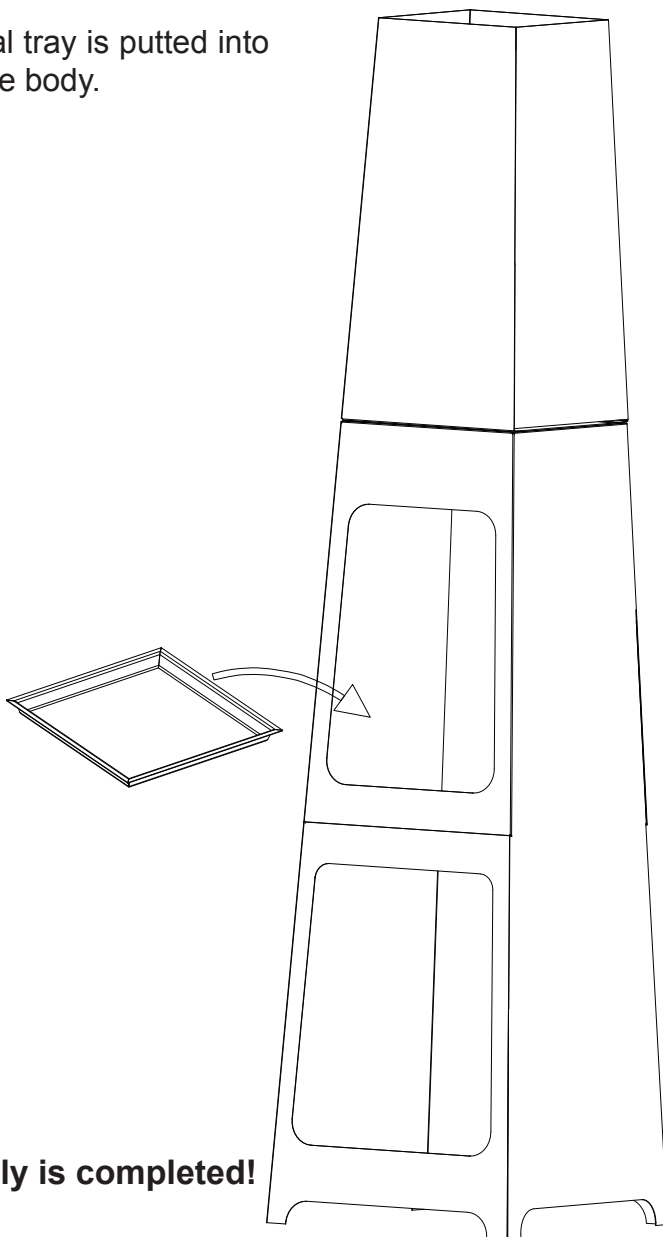
### Step 3 :

Storage frame is putted into the bottom body.



## Step 4 :

Charcoal tray is putted into the middle body.



**Assembly is completed!**

