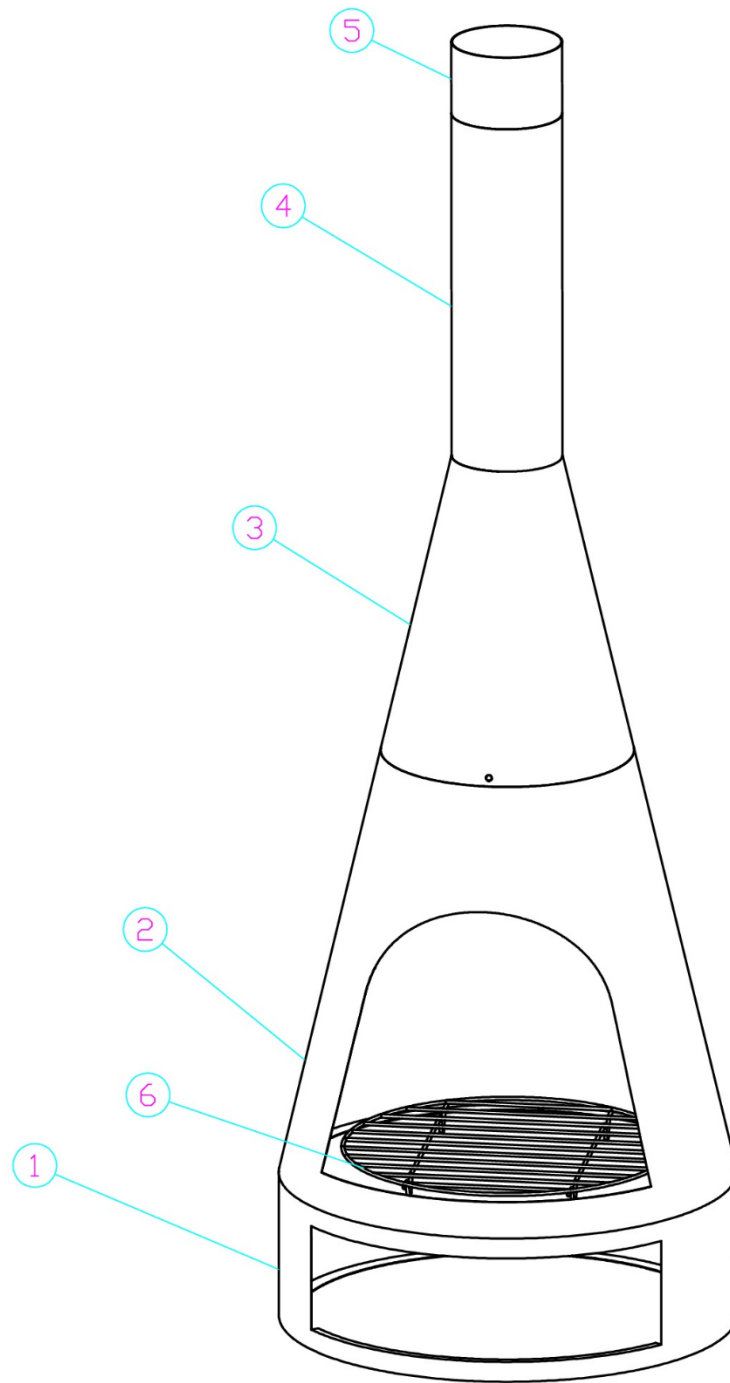


Assemble Manuel Of Chiminea Fireplaces



WARNINIG!

Please read these instructions carefully and retain them for future reference.

- Always start the fire slowly and **DO NOT** use kerosene or other flammable liquids to start the fire which may increase temperature rapidly
- It is recommended that you always have a fire extinguisher or another fire retardant medium close by when using this item.
- Ensure that children & pets are always supervised when the heater is in use
- It is recommended that you always wear suitable oven gloves when handling this item
- Always ensure that the area you intend to place this unit is flat and even. Ensure that there are no combustible materials near to where you use this item.
- Do not use indoors, this item is for outdoor use only
- Never move this item when it is in use and always allow it to cool down before moving
- Never put too much fuel in your heater so the flames will be too high

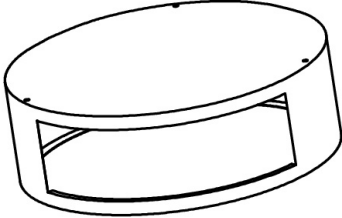
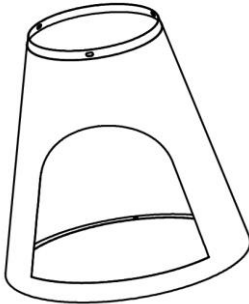
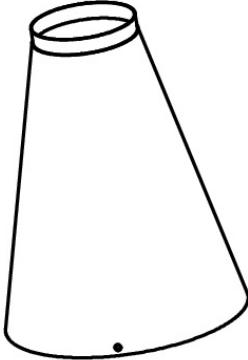
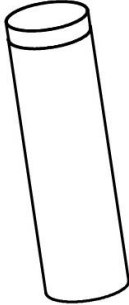

Assembly and maintenance


- Whilst every effort has been made in the manufacturing of this heater to remove any sharp edges, care should be taken in handling to avoid accidental injury. We recommend that two people assemble the fire pit and that both wear protective gloves when doing so.
- We recommend that you check that all screws are secured prior to each use
- When not in use always ensure you heater is covered to prevent rain water building up
- As this item is steel it will rust, to help prevent rust we suggest that you wipe your heater with an oily rag after each use to help prevent rust

Extinguishing the Fire

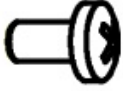

- Make sure to extinguish the fire completely once you have finished using it. Follow your manufacturer's instructions. Use a bucket of sand / fire blanket or let the fire go out naturally
- **CAUTION:** Do not extinguish with water

Spare Parts List

No	Description	Drawing	Qty
1	Base		1
2	Fire body		1
3	Shoulder Body		1
4	Neck Body		1
5	Stainless Steel Topper		1

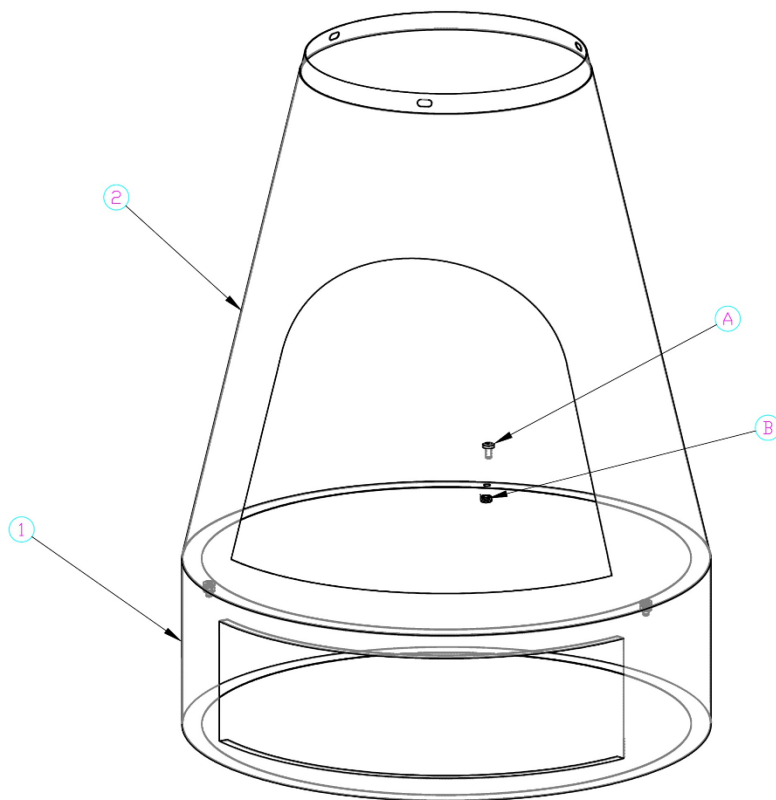
6	Charcoal Rack		1
---	---------------	--	---

Hardware List

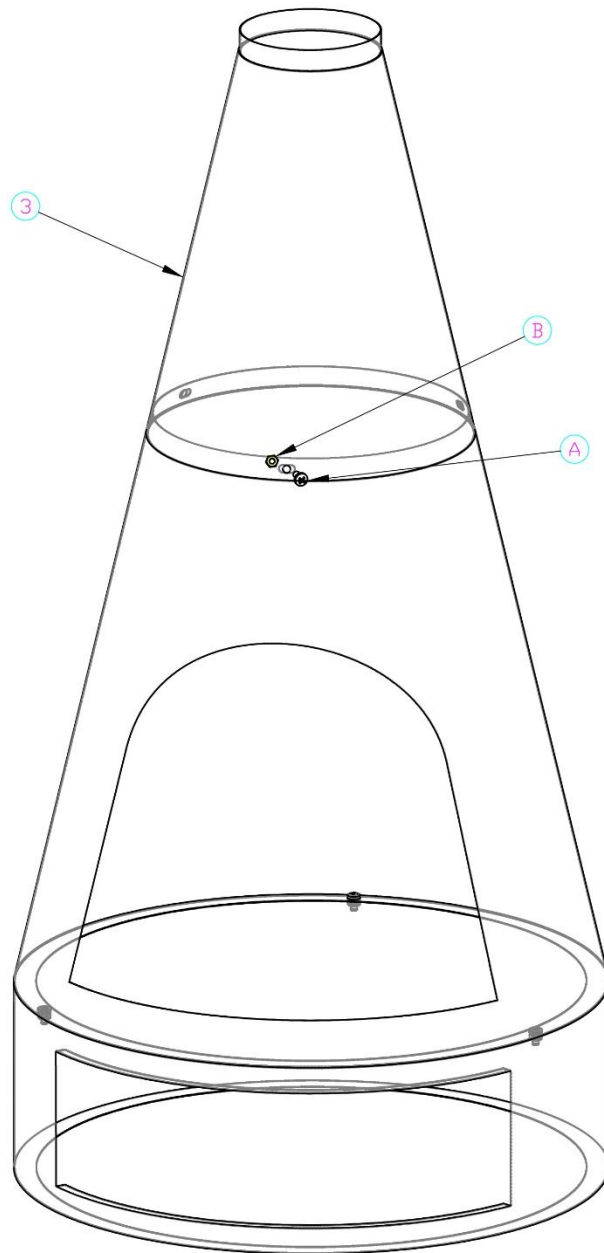
A	Screw M6x12		6
B	Nut M6		6

Assemble Steps

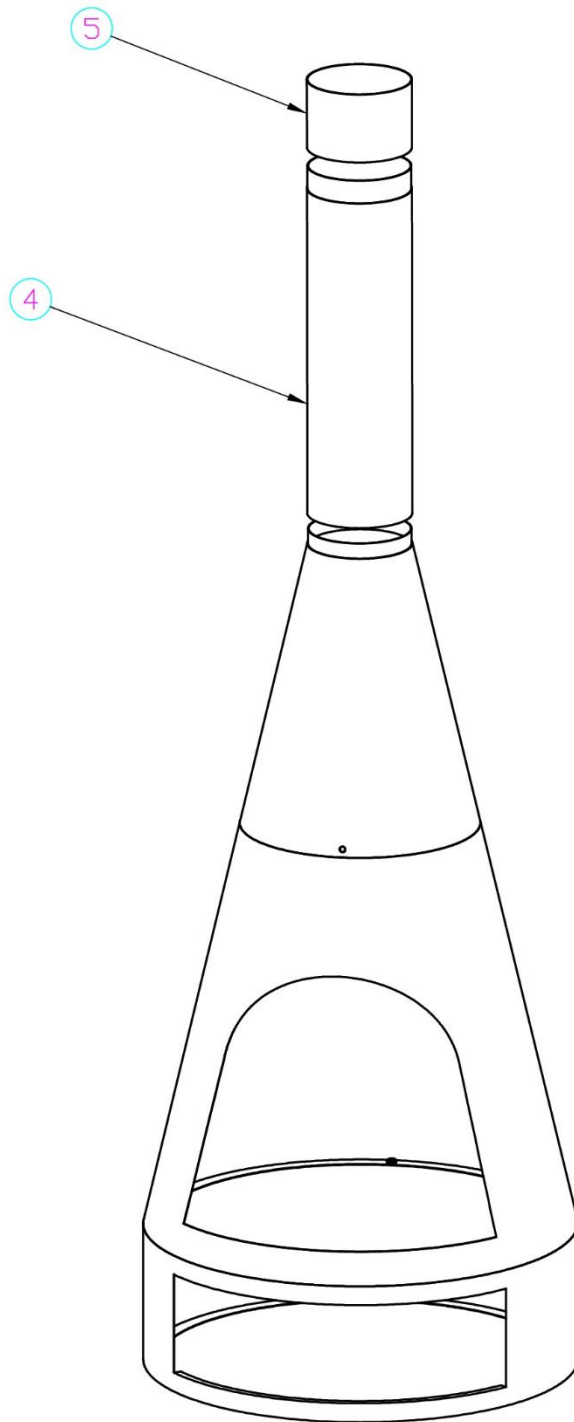
Step 1: Assemble the Fire Body (1) to the Base (2) with Screw (A) and Nut (B), fix them



Step 2: Assemble the Shoulder Body (3) to the connected Fire Body with Screw (A) and Nut (B), than Fix them



Step 3: First insert the Neck Body (4) into the connected Shoulder Body than Insert the Stainless Steel Topper (5) into the Neck Body



Step 5: Place the charcoal Rack (6) into the chiminea, than the fireplaces finised, you can enjoy it!

