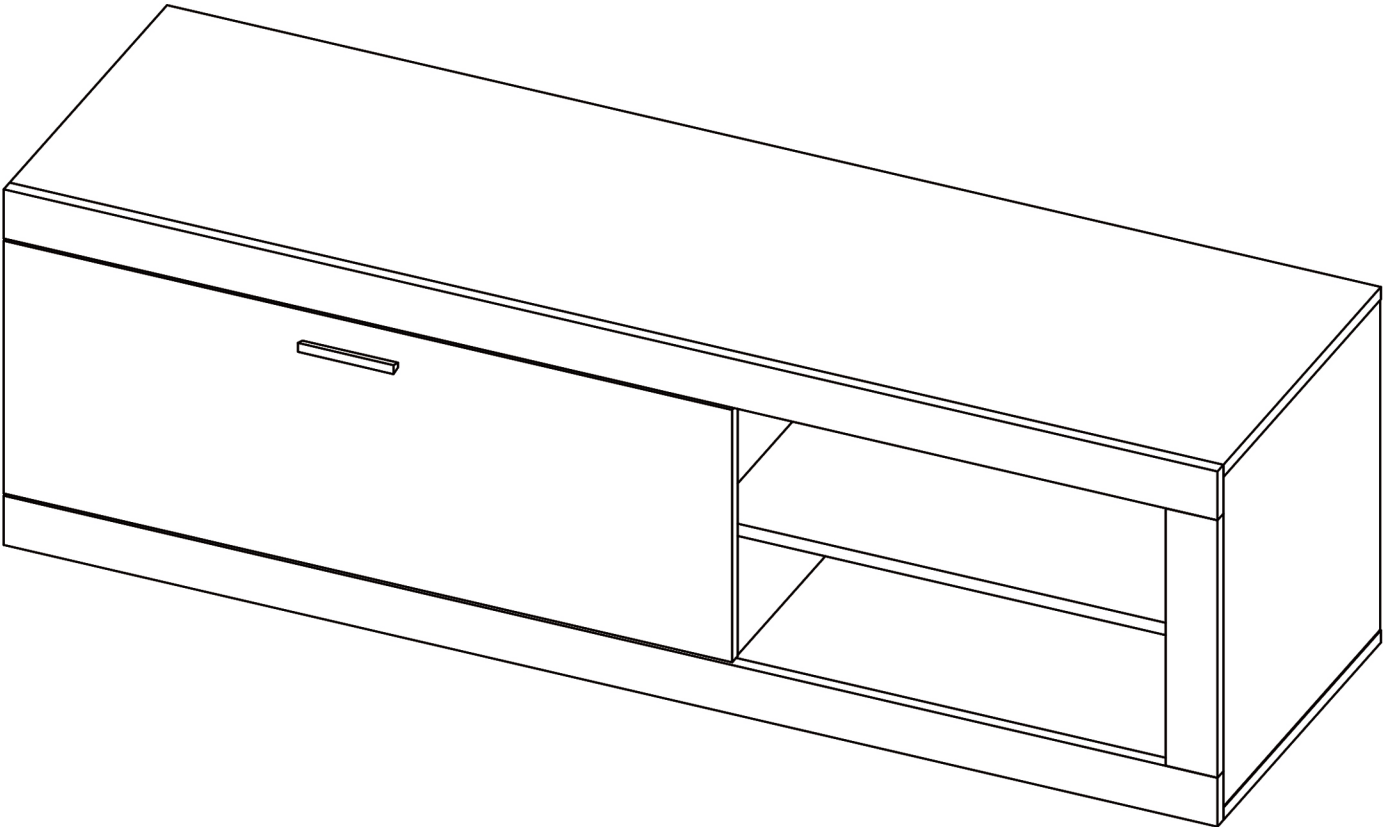
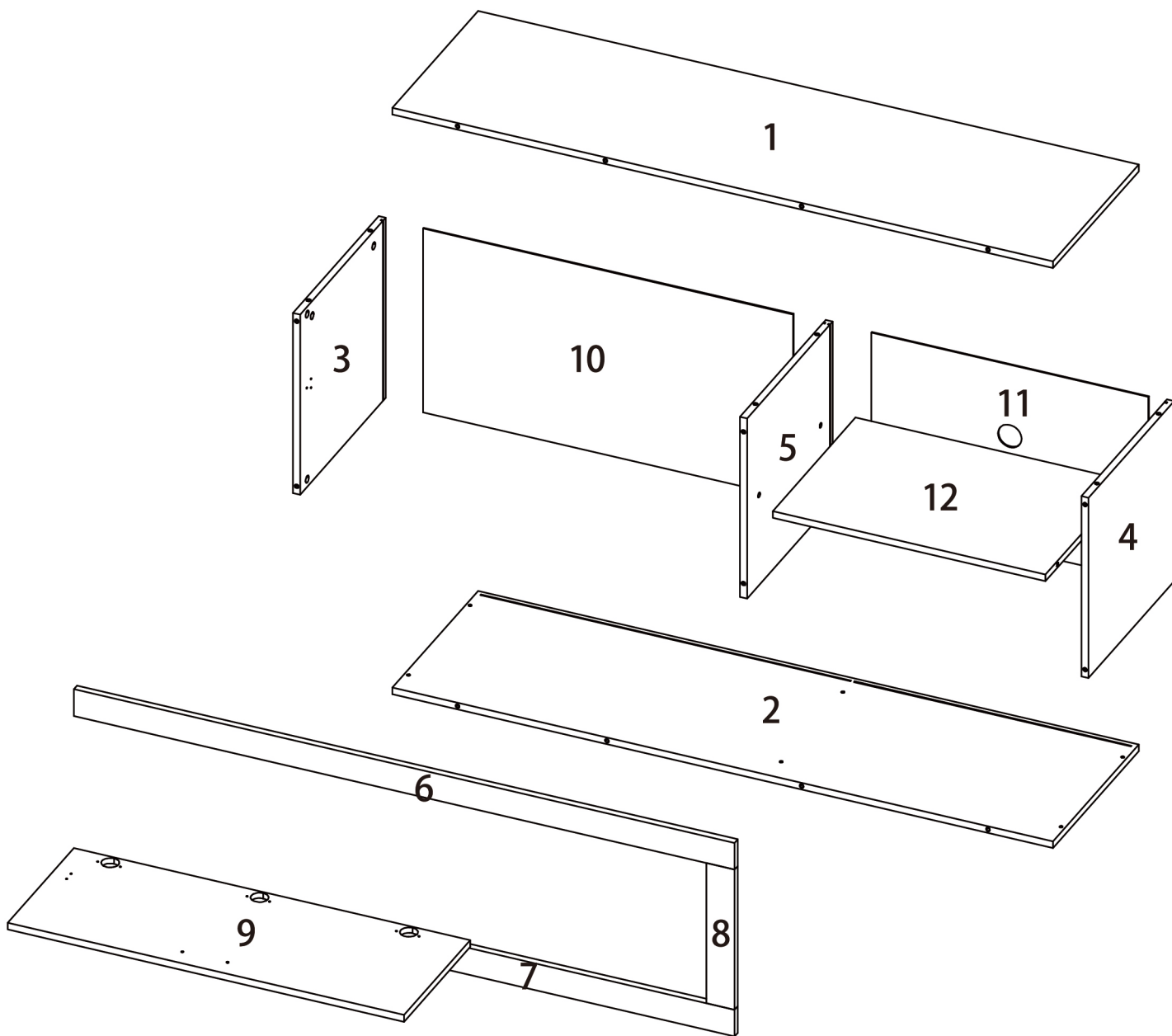


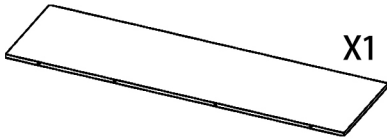
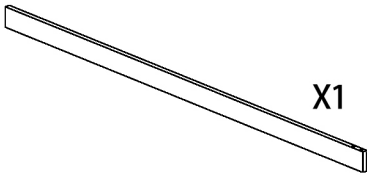
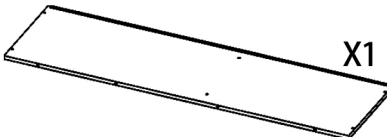
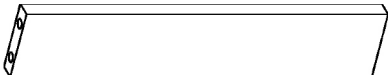
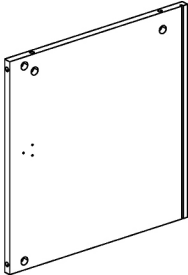
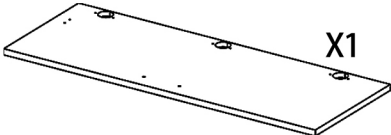
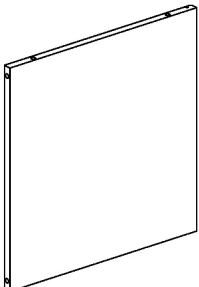
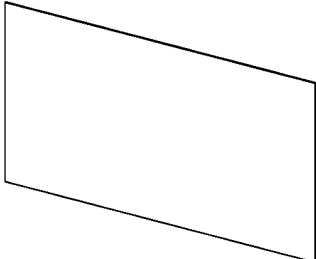
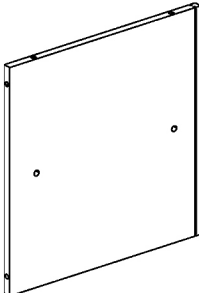
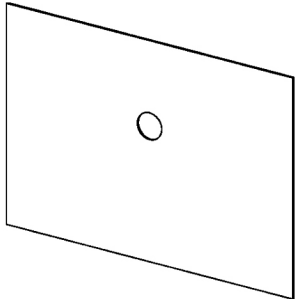
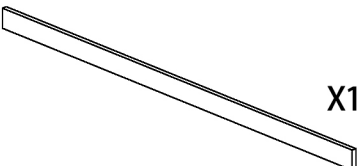
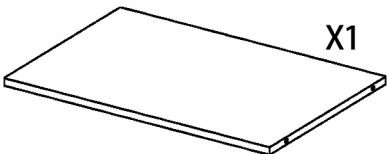
# Assembly Instruction







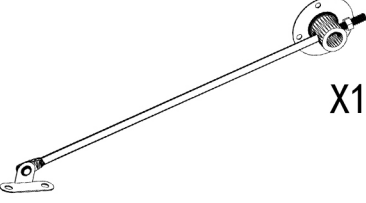

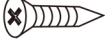

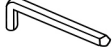



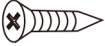

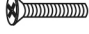

Unit: (mm)

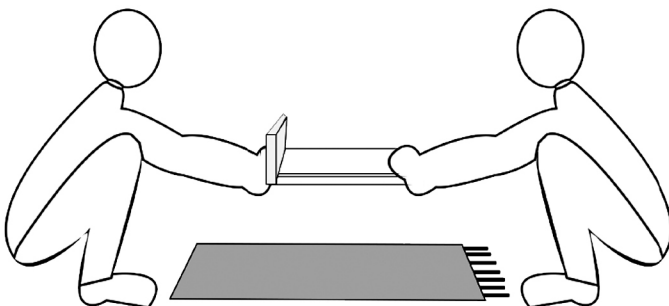
# PARTS LIST

|   |  |          |     |    |   |         |     |
|---|--|----------|-----|----|---|---------|-----|
| 1 |  X1   | 1400x400 | 1/1 | 7  |  X1   | 1401x62 | 1/1 |
| 2 |  X1   | 1400x400 | 1/1 | 8  |  X1   | 302x62  | 1/1 |
| 3 |  X1  | 395x400  | 1/1 | 9  |  X1  | 840x296 | 1/1 |
| 4 |  X1 | 395x400  | 1/1 | 10 |  X1 | 784x404 | 1/1 |
| 5 |  X1 | 395x400  | 1/1 | 11 |  X1 | 587x404 | 1/1 |
| 6 |  X1 | 1401x62  | 1/1 | 12 |  X1 | 578x385 | 1/1 |

Unit: (mm)

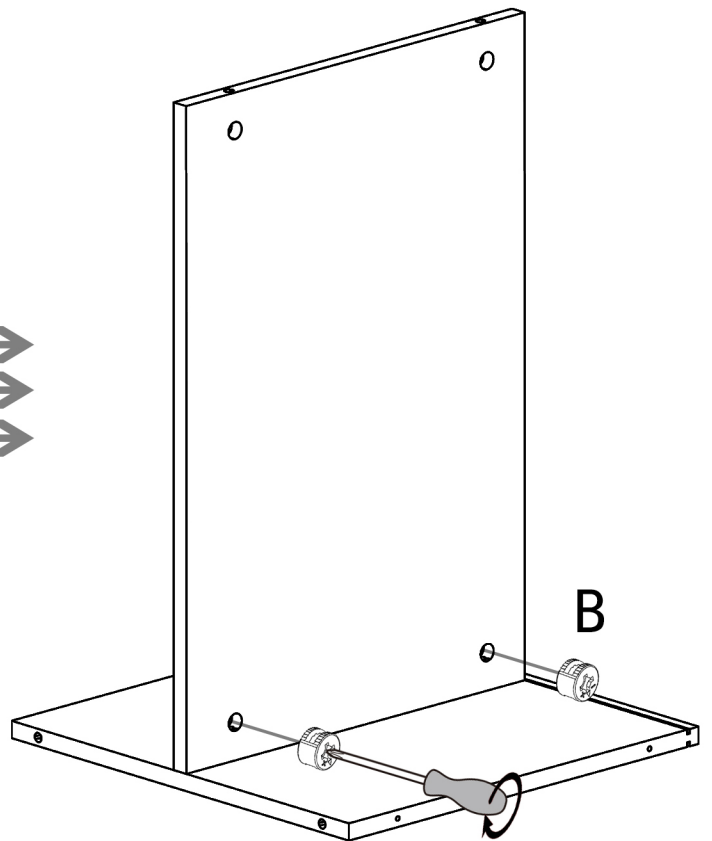
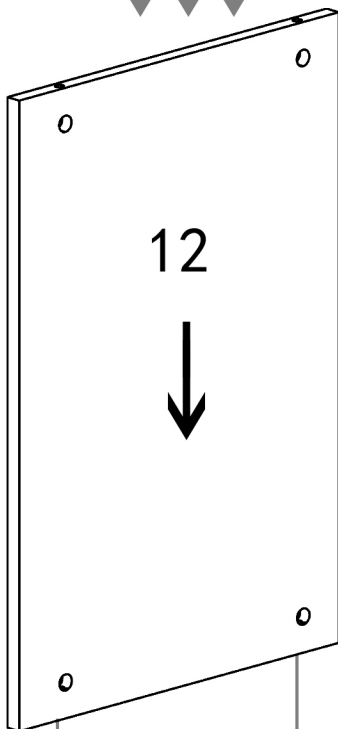
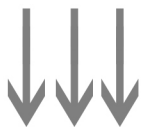
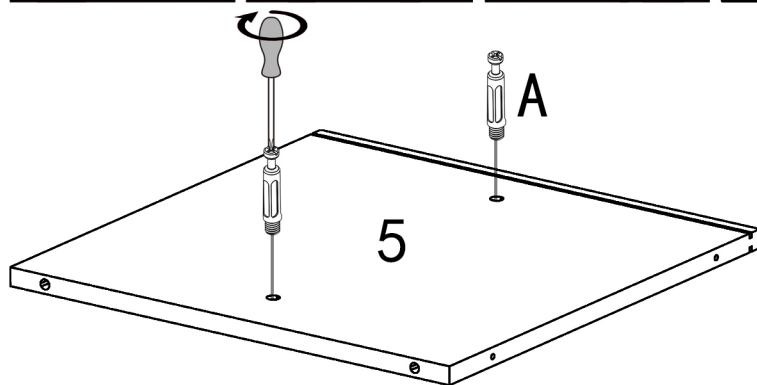
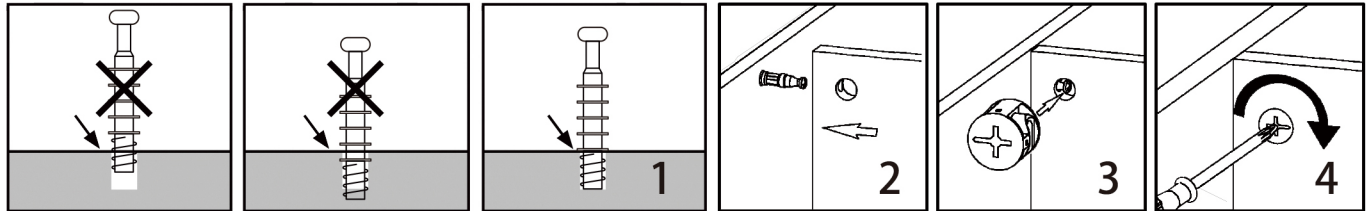
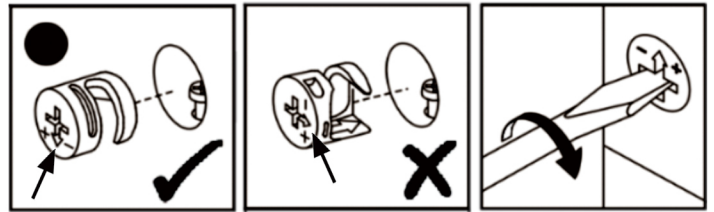
# ACCESSORIES LIST

|          |  |          |          |     |          |   |          |          |     |
|----------|--|----------|----------|-----|----------|---|----------|----------|-----|
| <b>A</b> |   | X24      | 6x40     | 1/1 | <b>B</b> |   | X24      | 15x11    | 1/1 |
| <b>C</b> |   | X1       | pull rod | 1/1 | <b>D</b> |   | X4       | 8x40     | 1/1 |
| <b>E</b> |   | X29      | M3.5x14  | 1/1 | <b>F</b> | <br>      | X6<br>X1 | M5x40/#3 | 1/1 |
| <b>G</b> |    | X6       | 10x40    | 1/1 | <b>H</b> |    | X3       | Hinge    | 1/1 |
| <b>J</b> | <br> | X8<br>X8 | M3x14    | 1/1 | <b>K</b> | <br> | X1<br>X2 | 96/M4x18 | 1/1 |
|          |  |          |          |     |          |   | X9       | 21mm     | 1/1 |
|          |  |          |          |     |          |   |          |          |     |



# Step 1

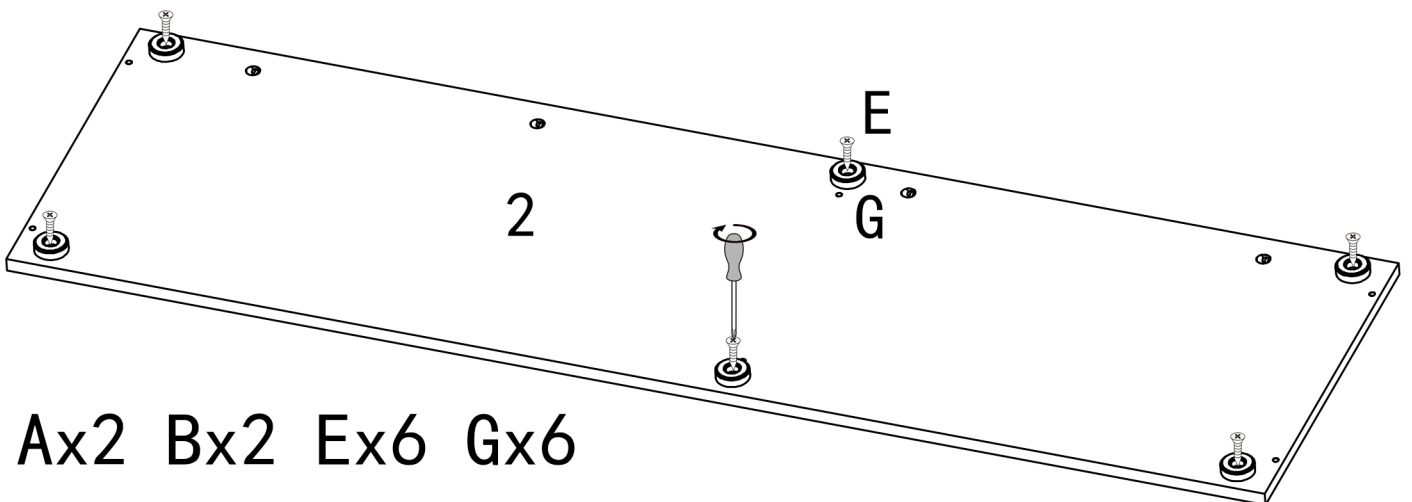
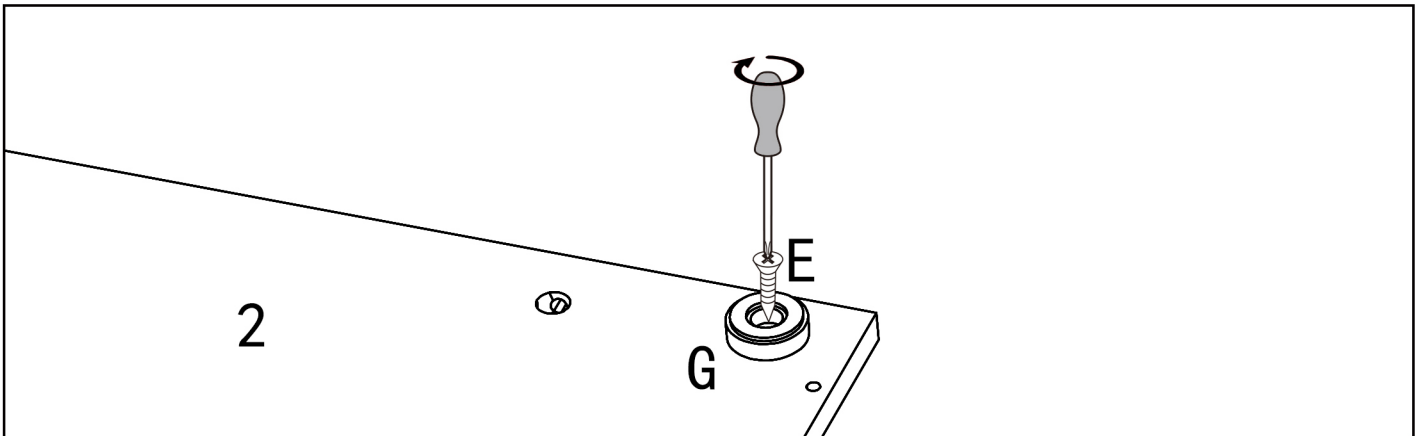
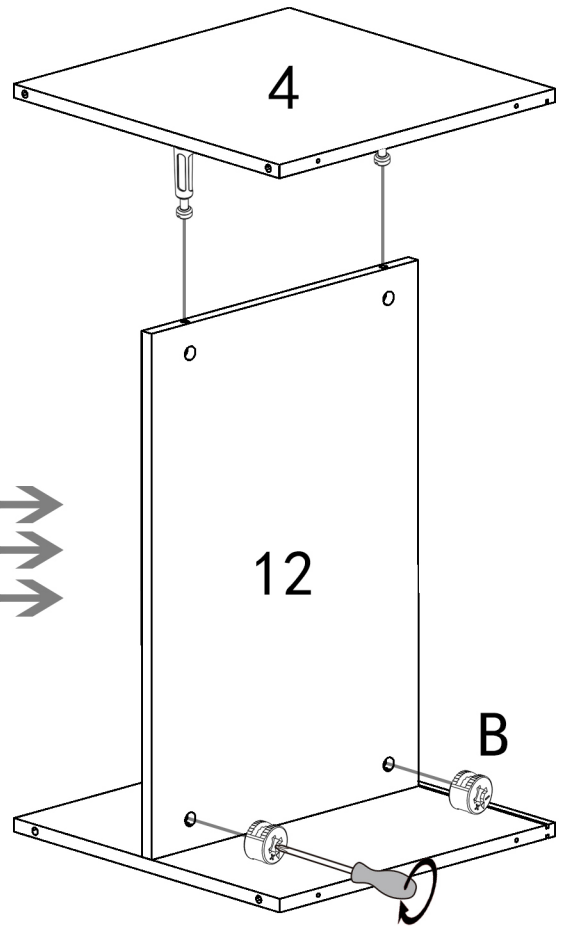
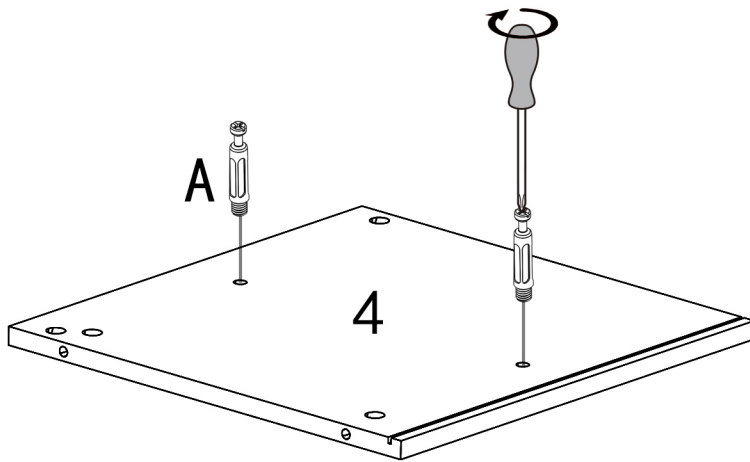
Installation method of three in one rod and buckle



Ax2 Bx2

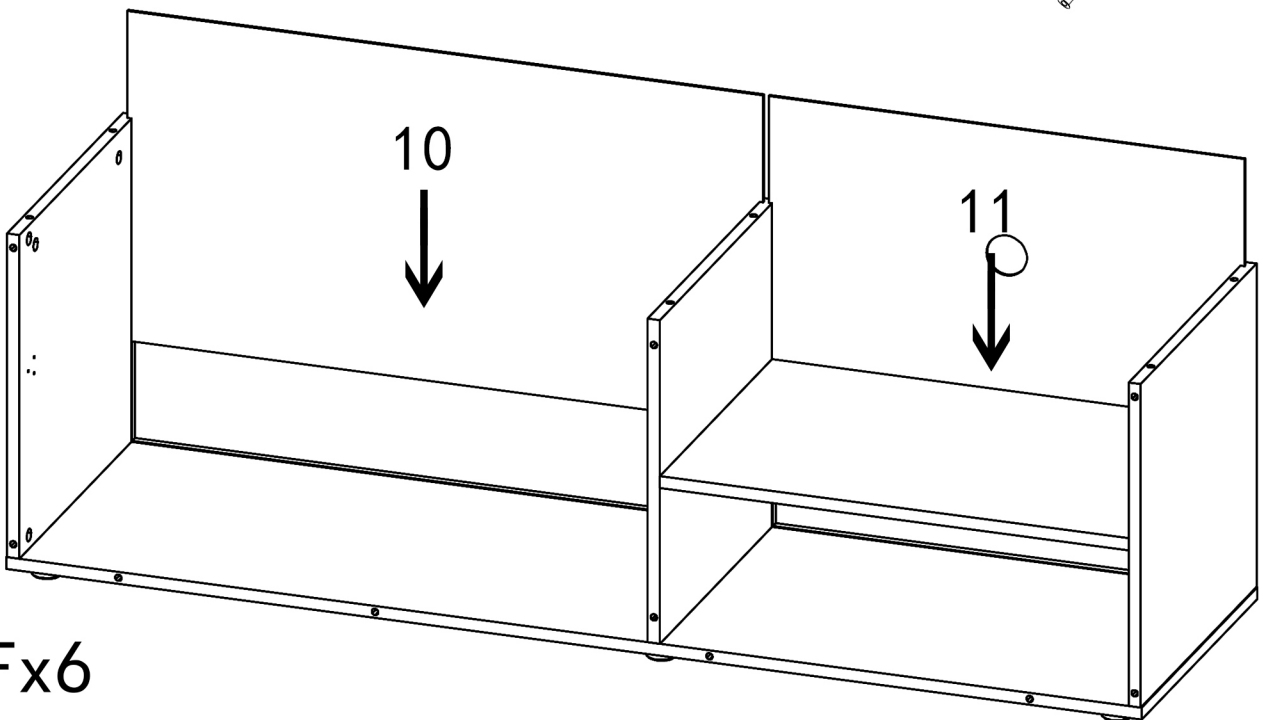
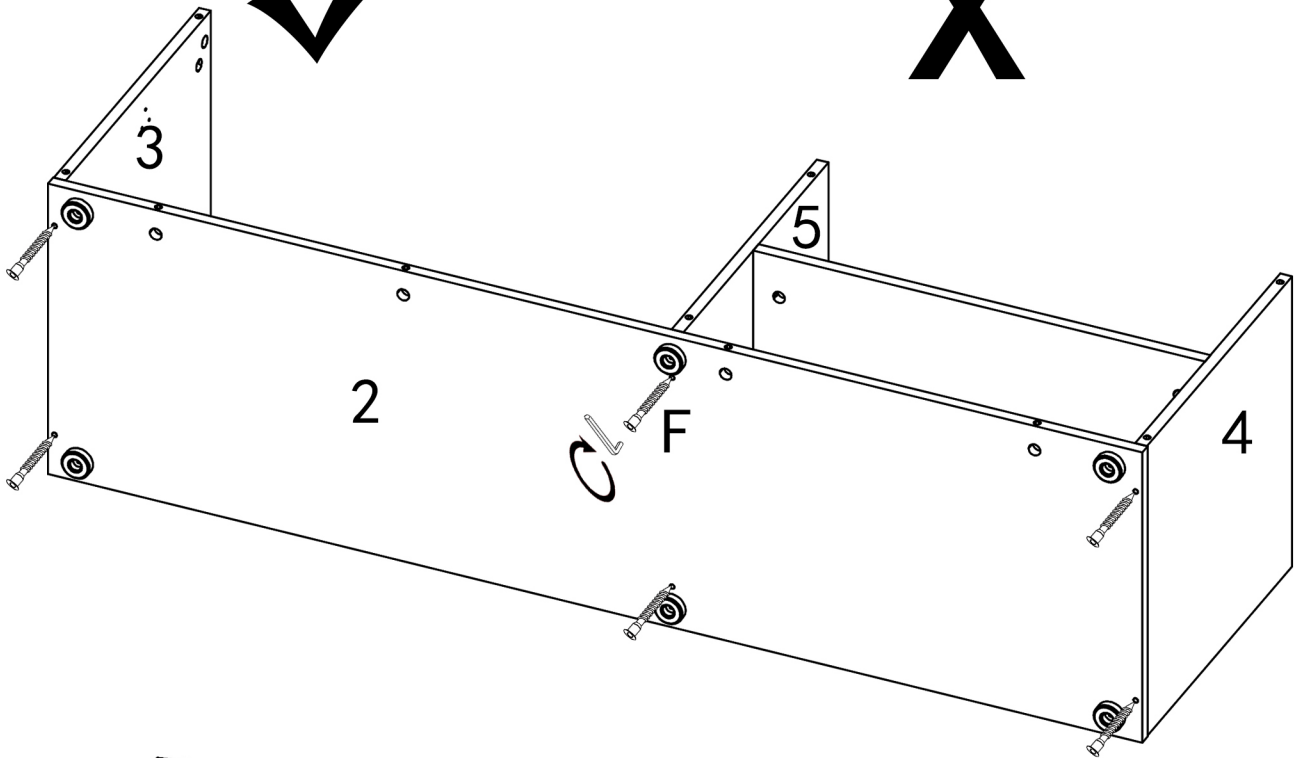
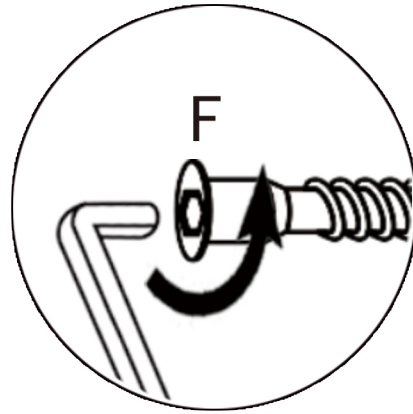
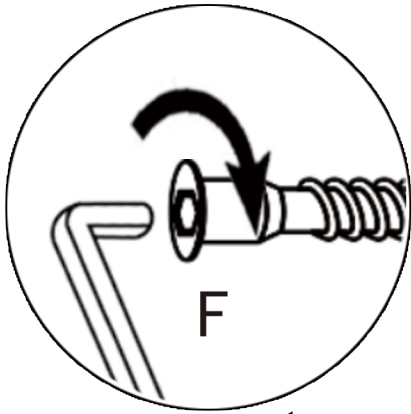
# Step 2

When installing accessories A and B, please refer to the installation method of the same accessories in step 1



Ax2 Bx2 Ex6 Gx6

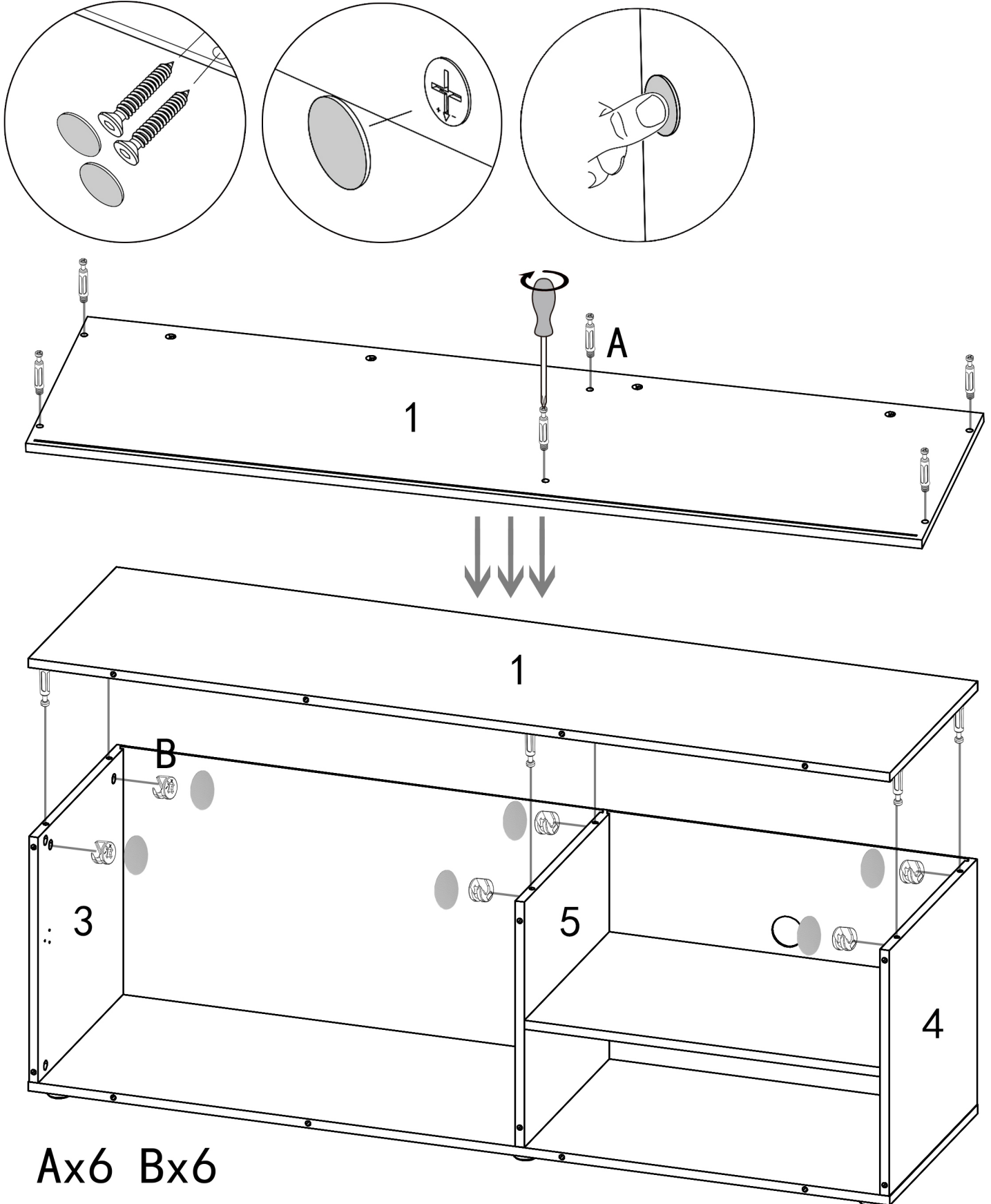
# Step 3



Fx6

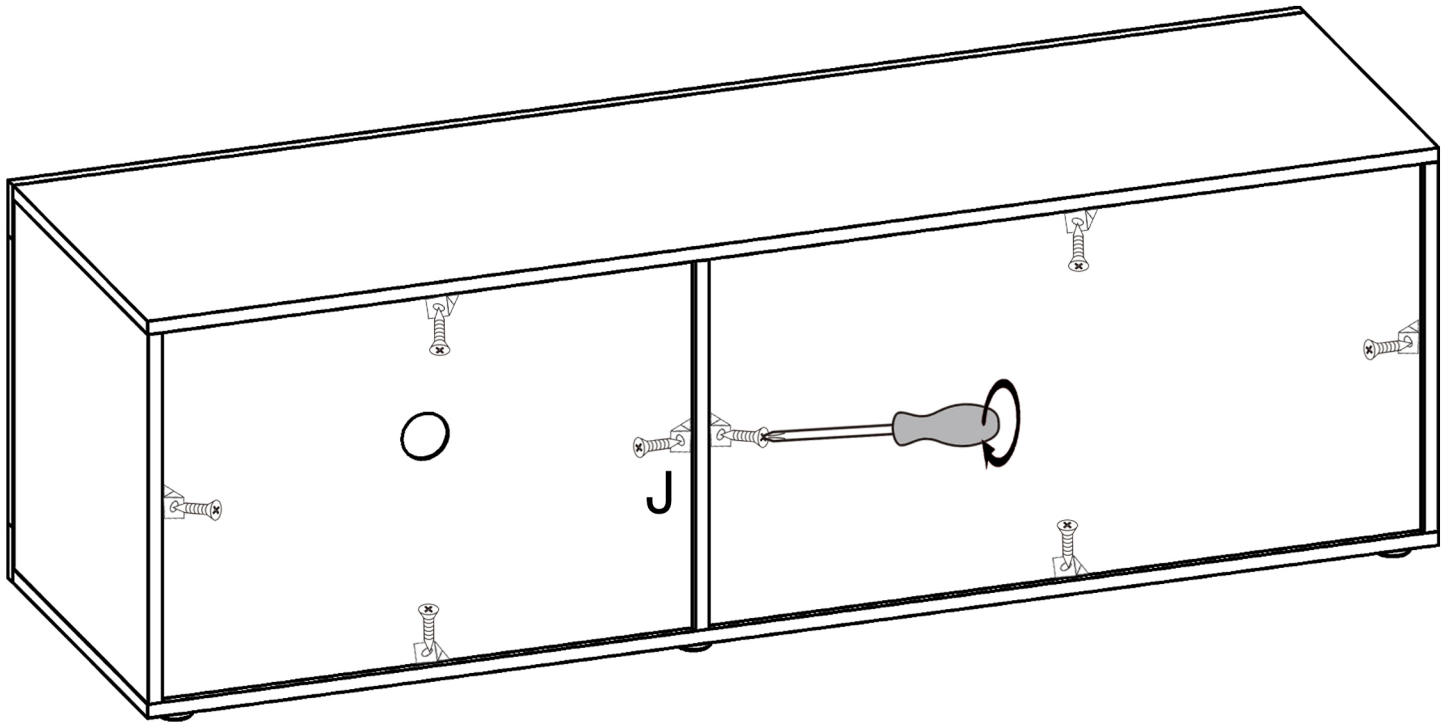
# Step 4

When installing accessories A and B, please refer to the installation method of the same accessories in step 1

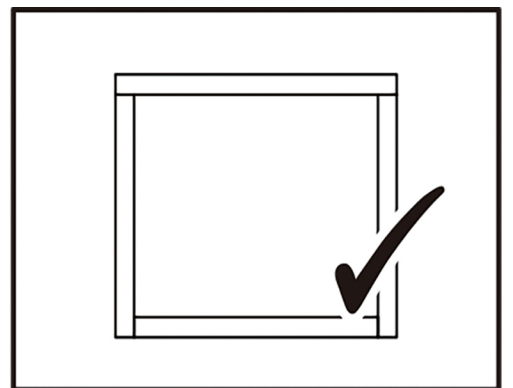
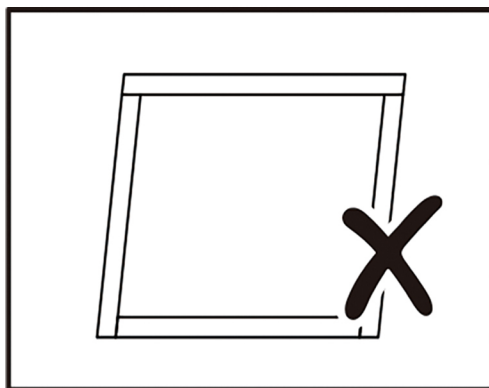
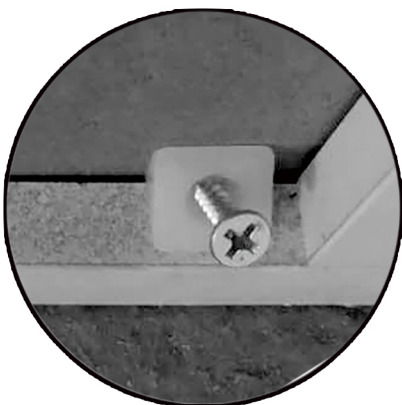




# Step 5



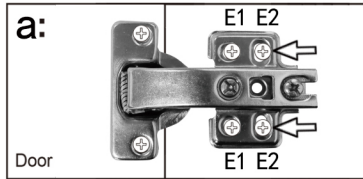
Jx8



# Step 6

## Hinge adjustment

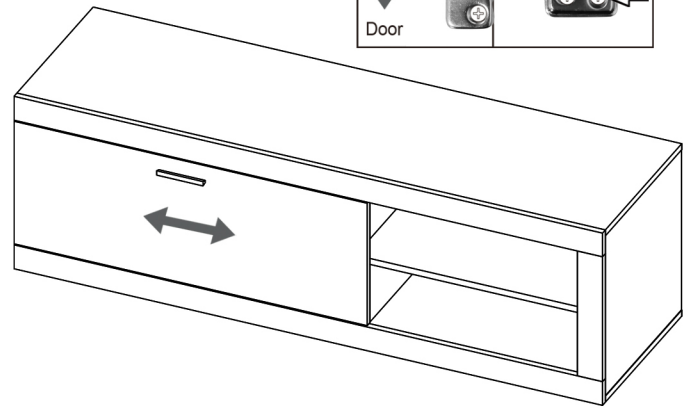
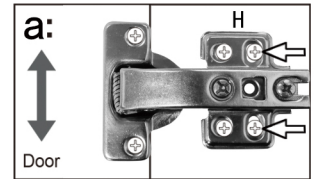
To facilitate the adjustment, install the E2 screw first, and then install the E1 screw.



## Hinge adjustment

a: To move doors up or down: loosen screws shown and move doors to suit.

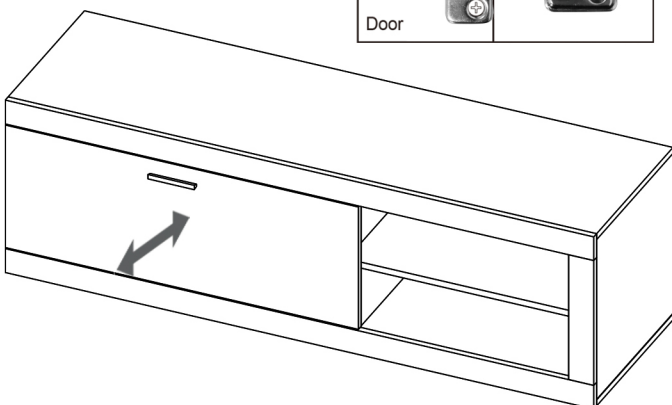
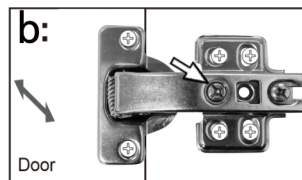
Once doors are aligned, re-tighten Screws H



## Hinge adjustment

b: To move doors in or out: loosen screw shown and move doors to suit.

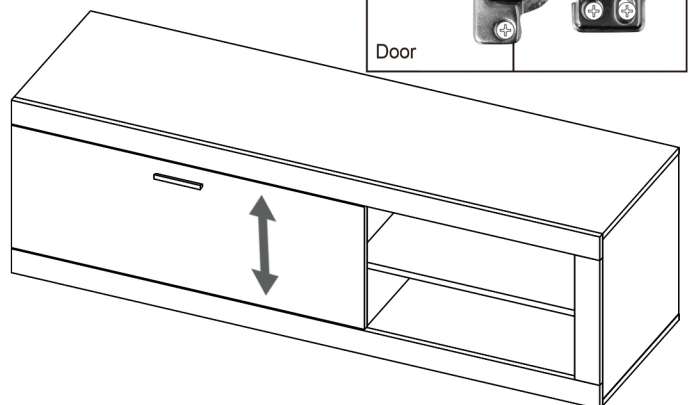
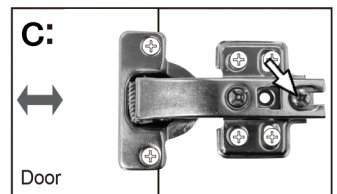
Re-tighten screws



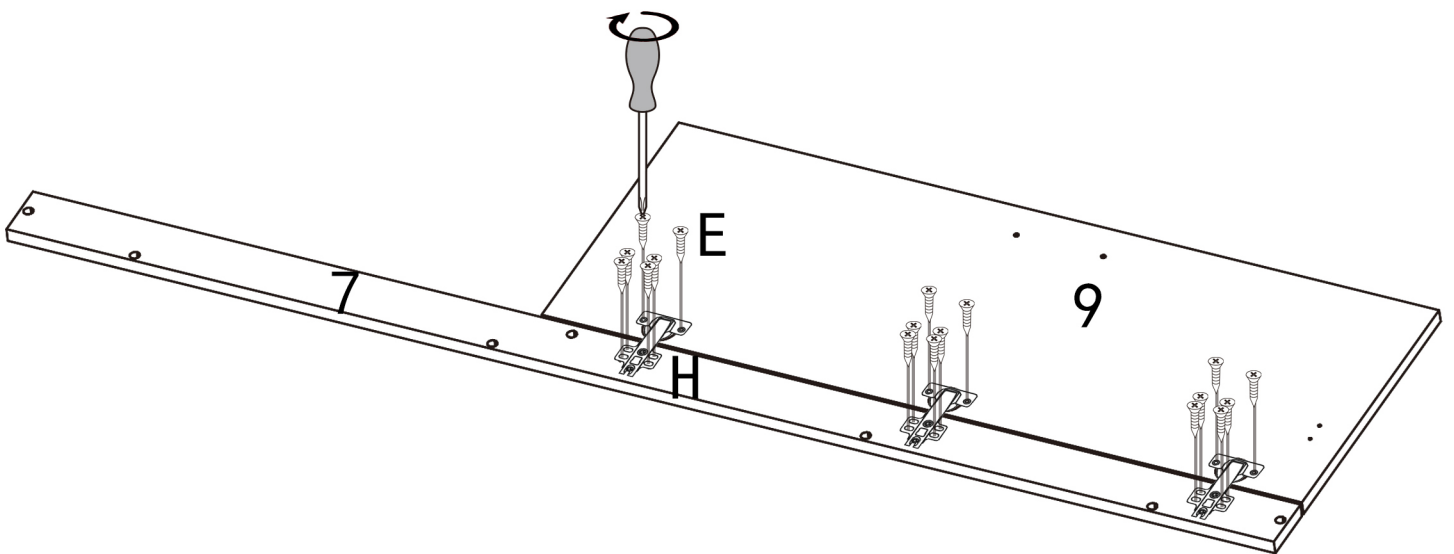
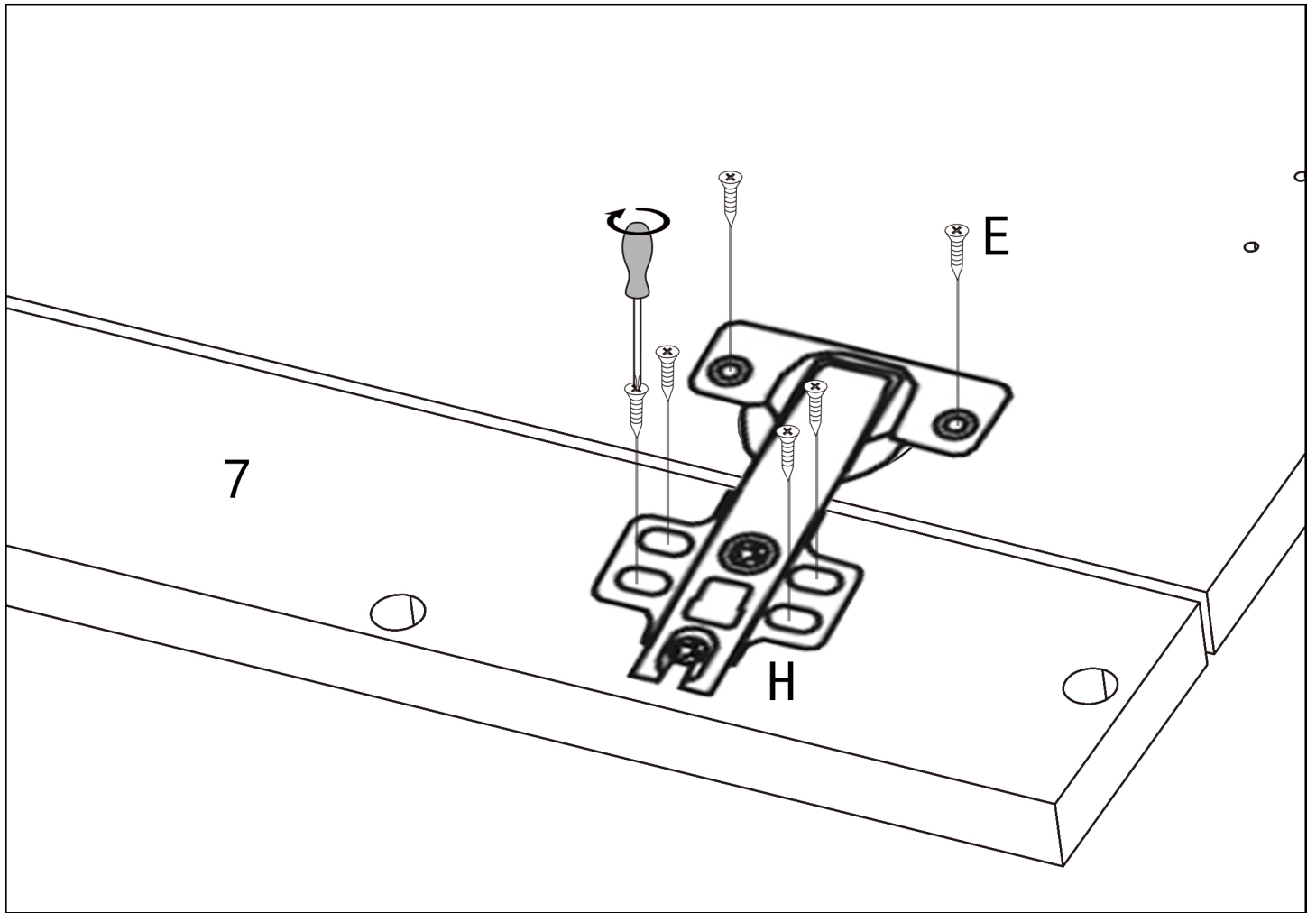
## Hinge adjustment

c: To move doors left or right: loosen screw shown and move doors to suit.

Re-tighten screws

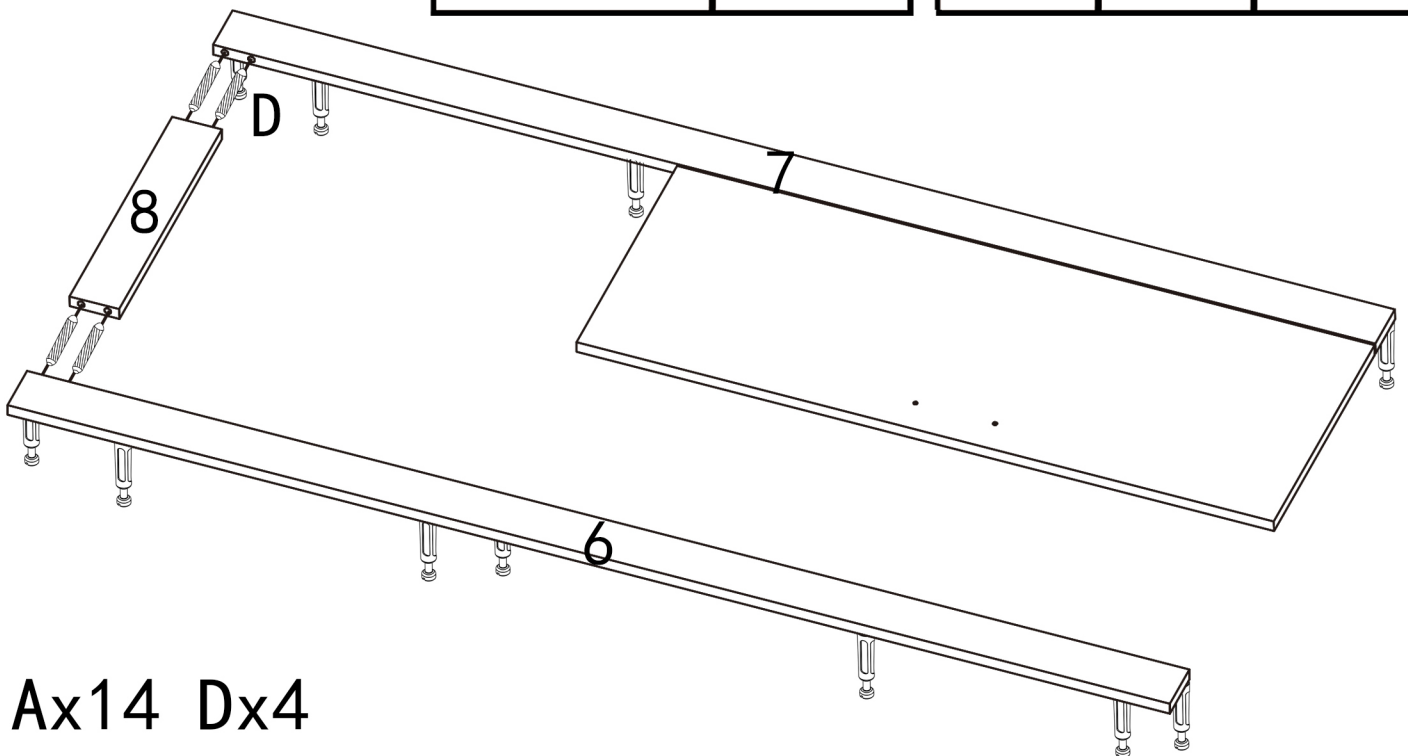
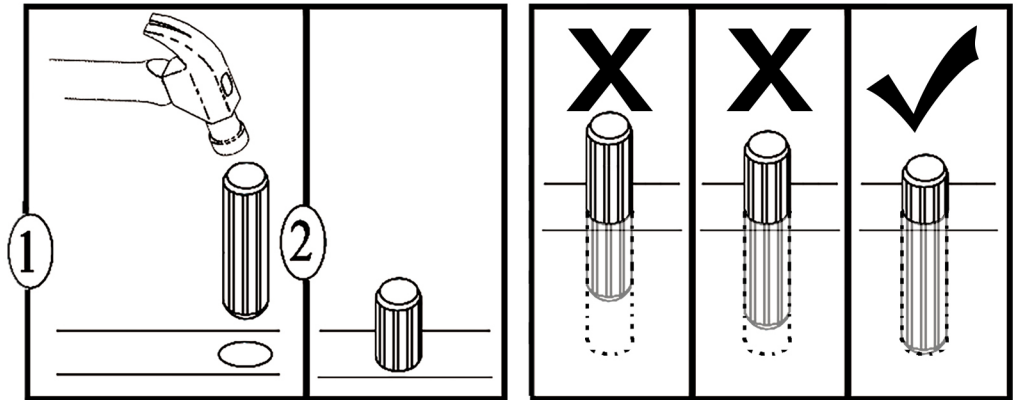
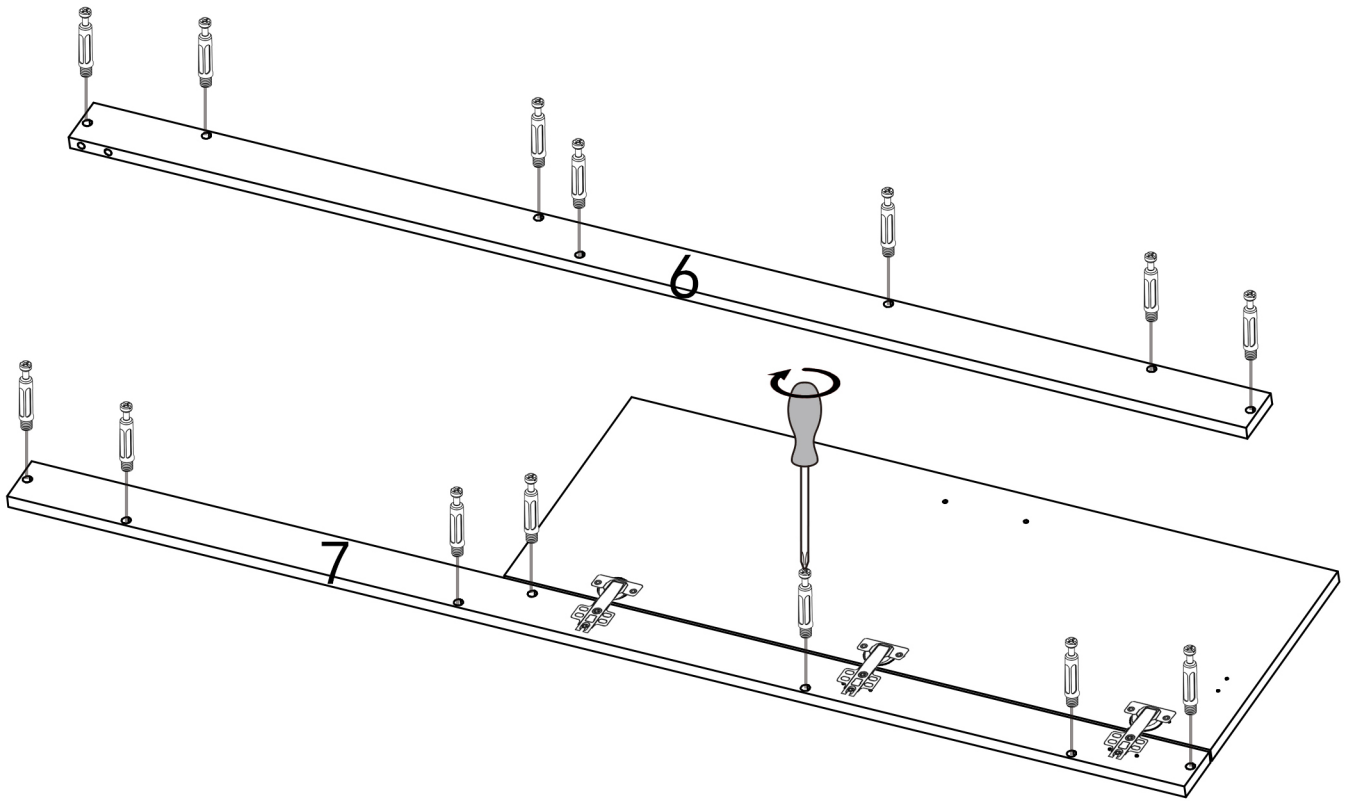


# Step 7



Hx3 Ex18

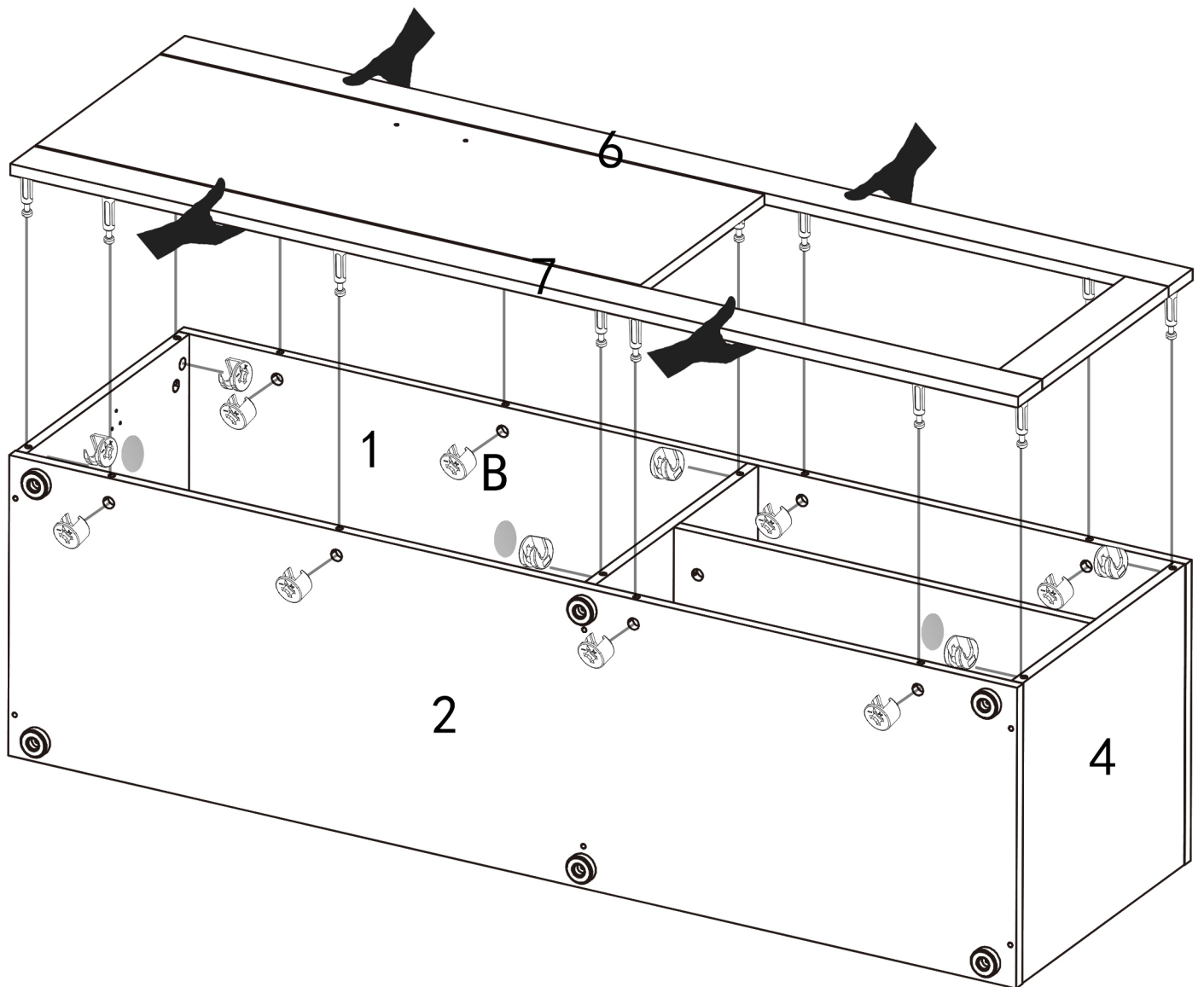
# Step 8



Ax14 Dx4

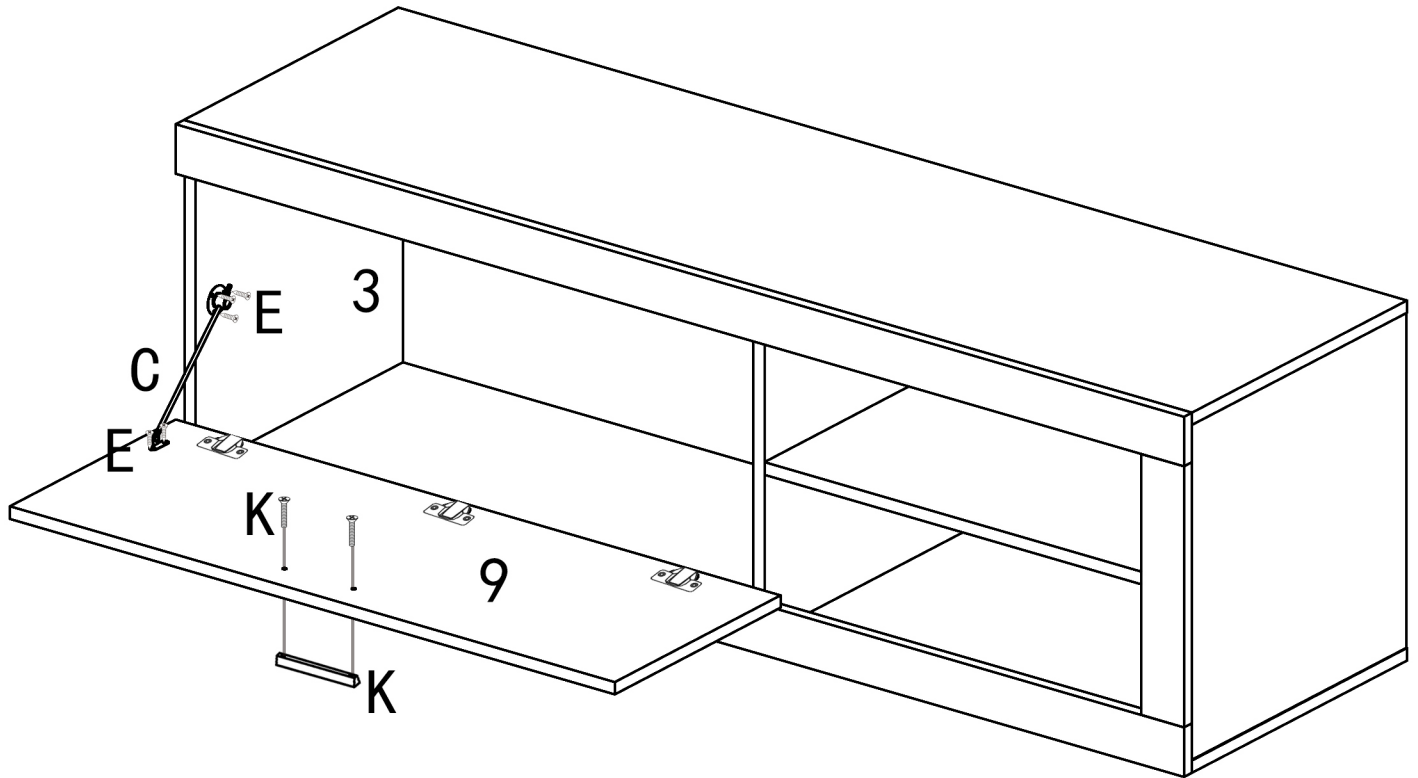
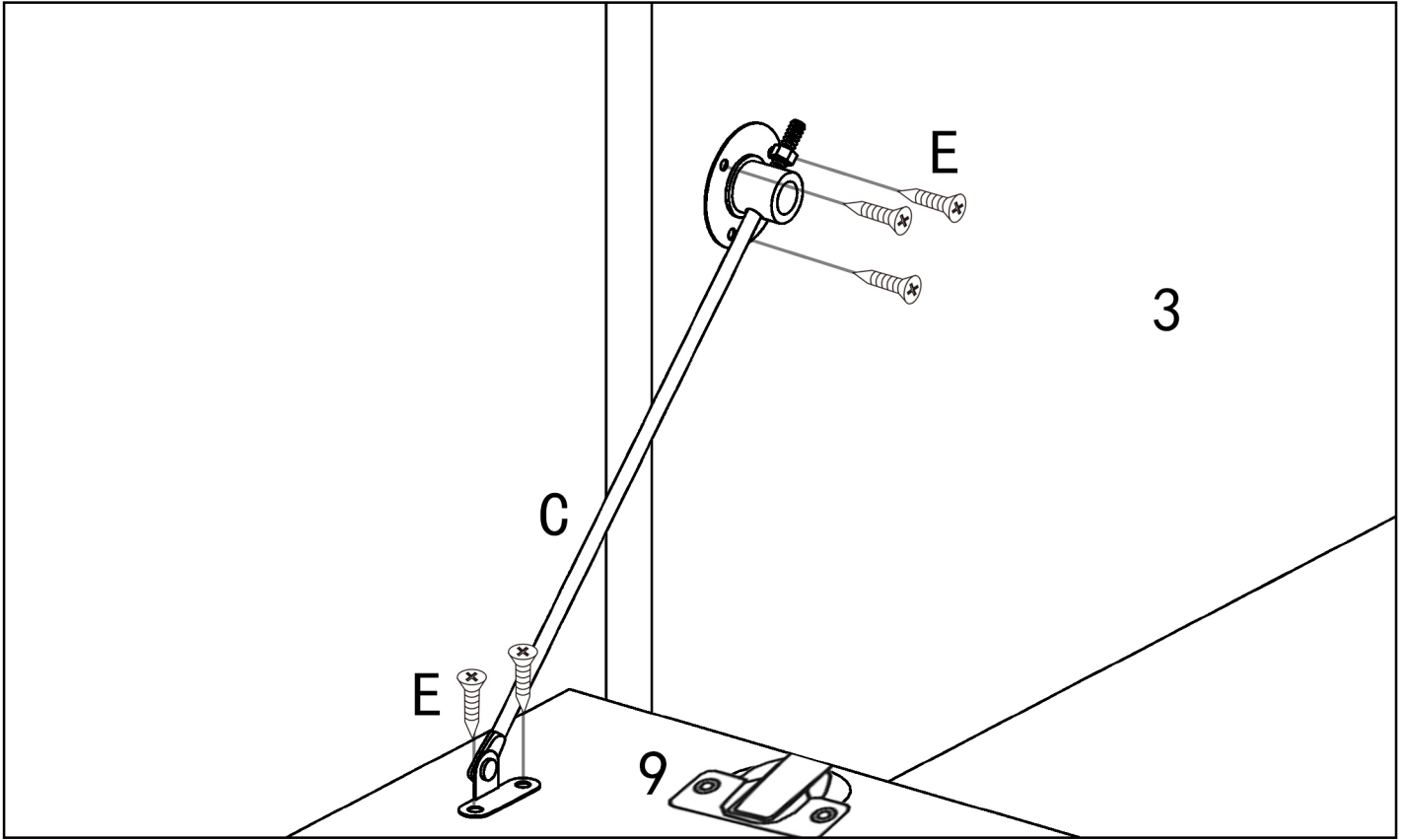
# Step 9

When installing accessories A and B, please refer to the installation method of the same accessories in step 1



Bx14

# Step10



Cx1 Ex5 Kx1