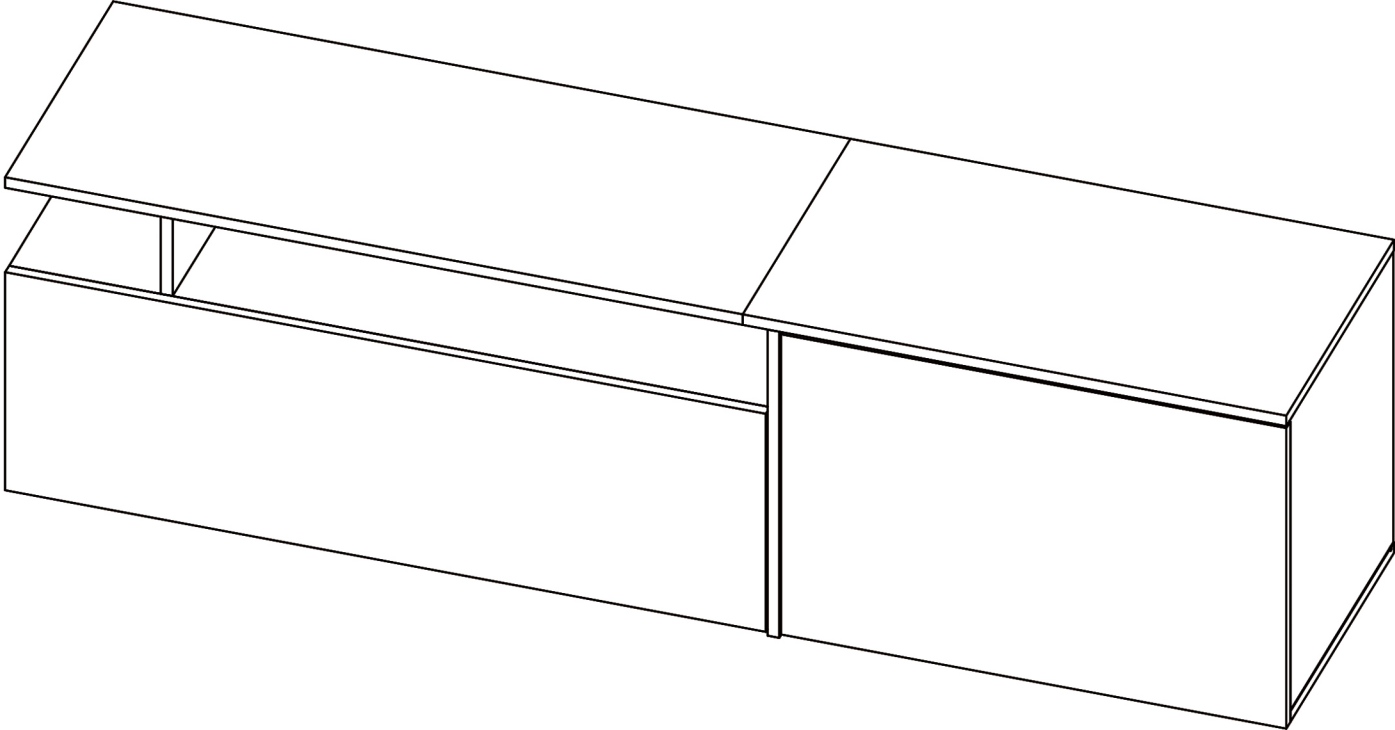
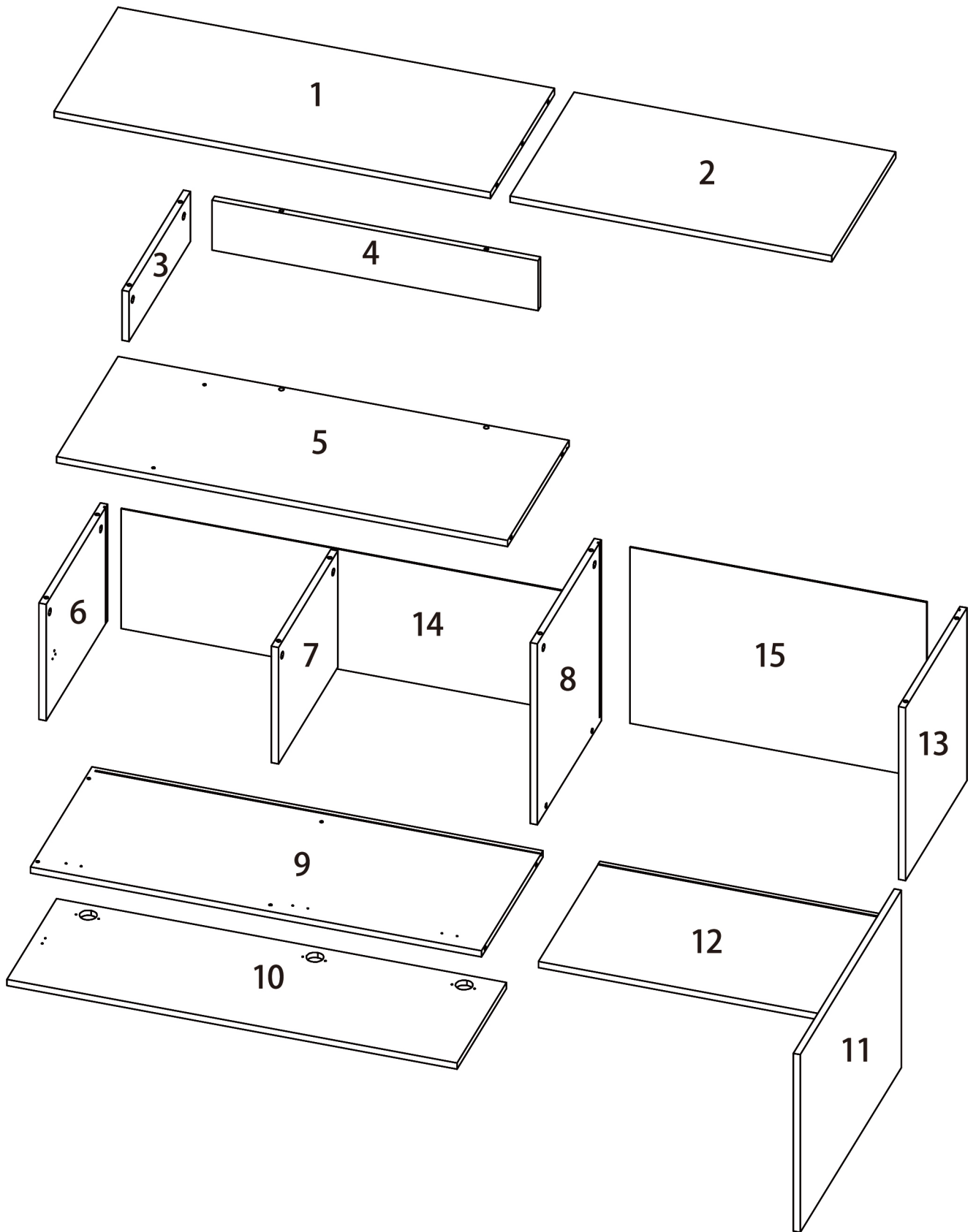


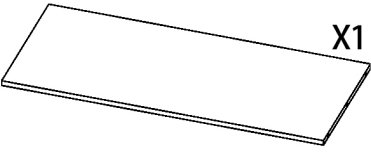
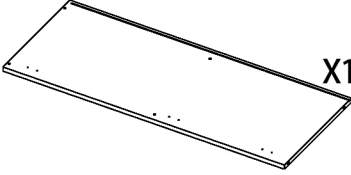
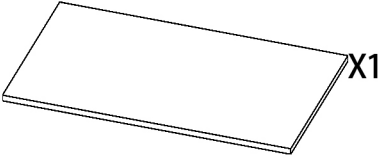
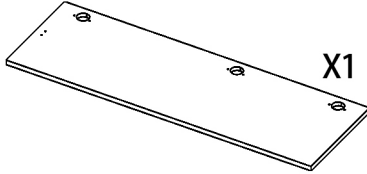
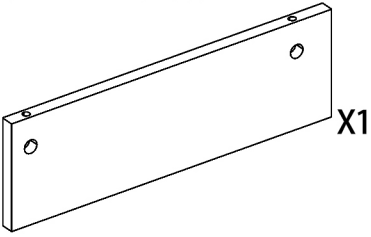
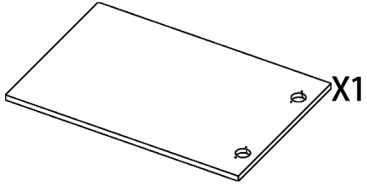
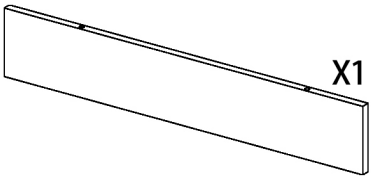
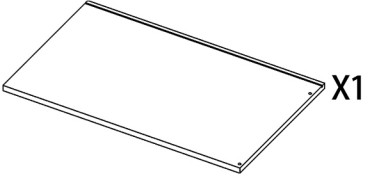
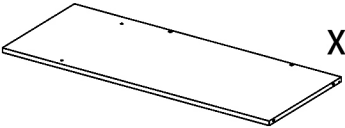
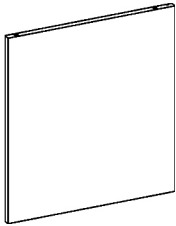
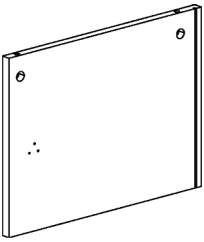
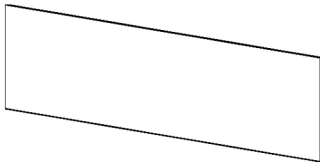
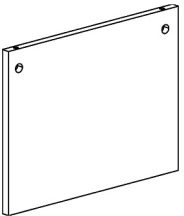
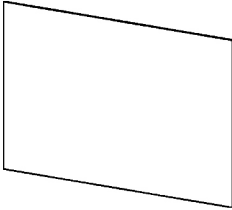
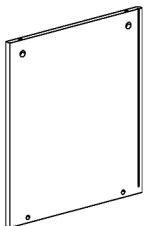
# Assembly Instruction







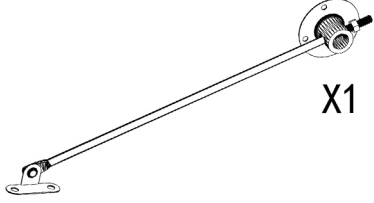

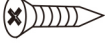

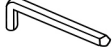

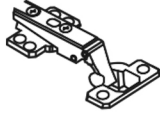

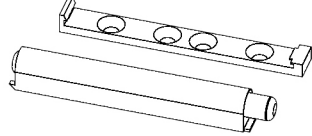
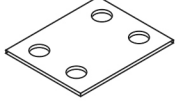
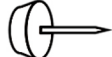

Unit: (mm)

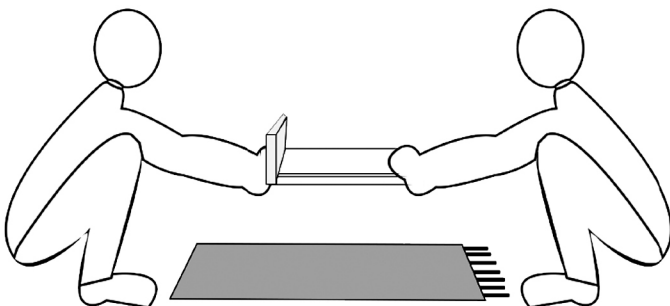
# PARTS LIST

1	 X1	924x400	1/2	9	 X1	954x383	1/2
2	 X1	681x400	1/2	10	 X1	951x278	1/2
3	 X1	146x383	1/2	11	 X1	632x418	2/2
4	 X1	698x146	1/2	12	 X1	636x383	2/2
5	 X1	954x383	1/2	13	 X1	405x383	2/2
6	 X1	244x383	1/2	14	 X1	947x253	1/2
7	 X1	244x369	2/2	15	 X1	629x414	2/2
8	 X1	426x400	2/2				

Unit: (mm)

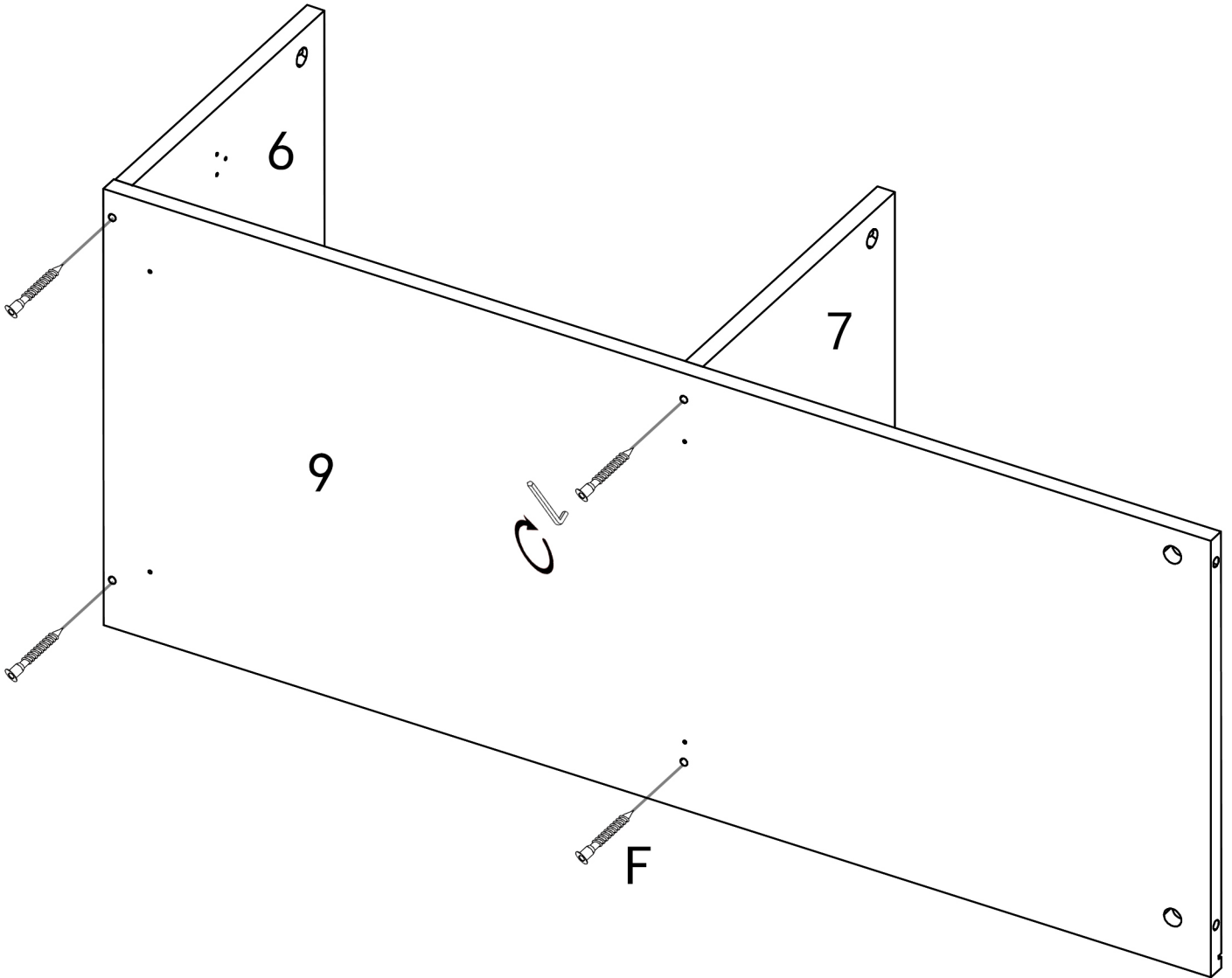
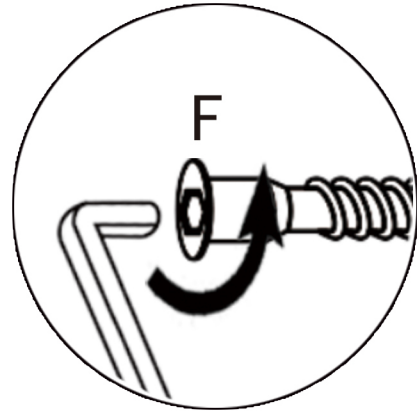
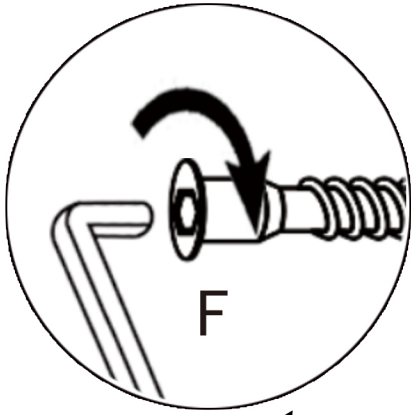
# ACCESSORIES LIST

A		X20	6x40	1/2	B		X20	15x11	1/2
C		X1	pull rod	1/2	D		X3	8x40	1/2
E		X51	M3.5x14	1/2	F	 	X8 X1	M5x40/#3	1/2
G		X6	10x40	1/2	H		X5	Hinge	1/2
J		X10 X10	M3x14	1/2	K		X1	Magnetic impact	1/2
L		X2	37x37	1/2	N		X2	5 × Φ 12	1/2
							X10	21mm	1/2





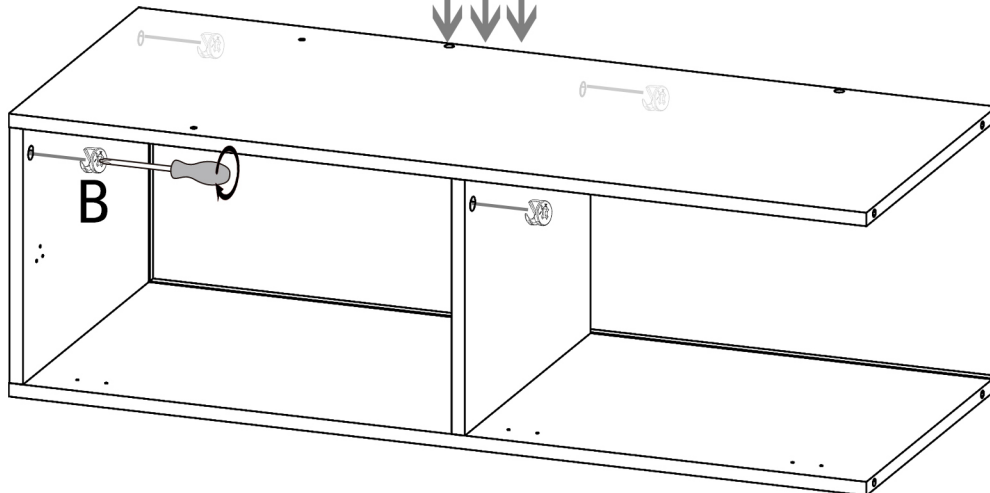
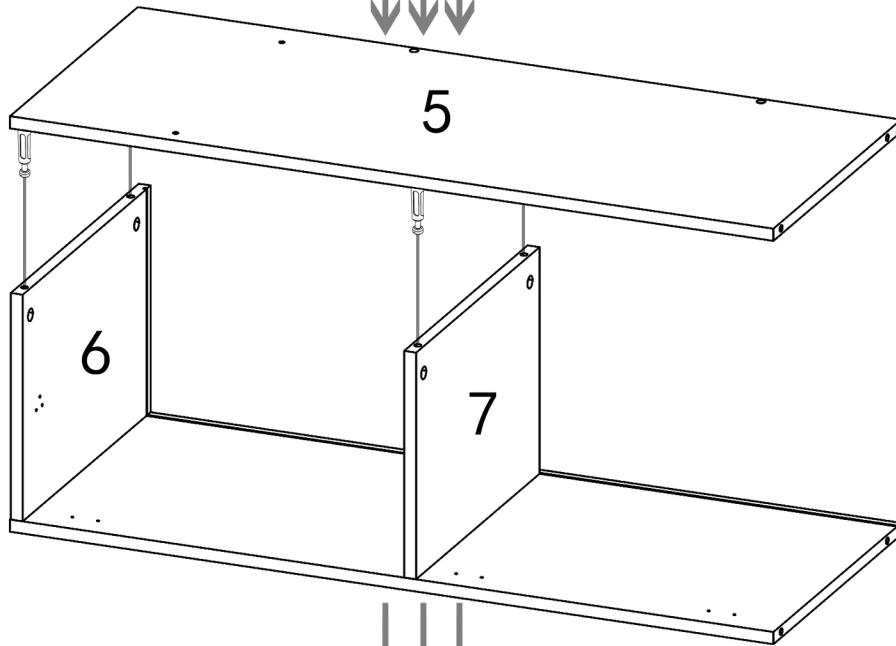
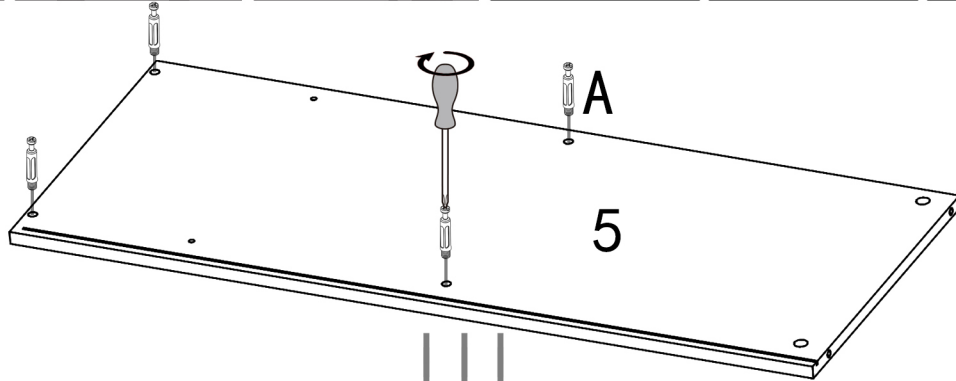
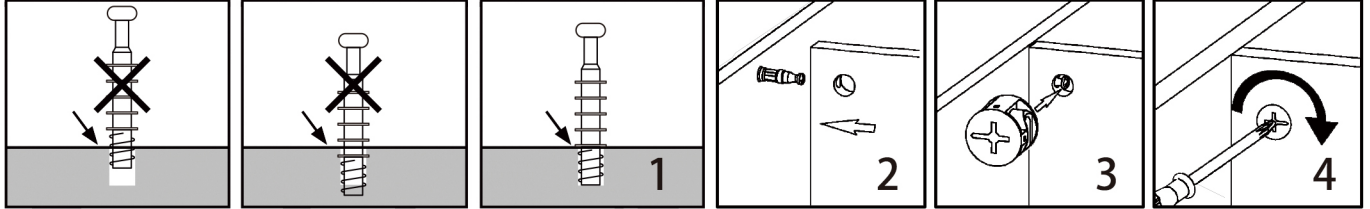
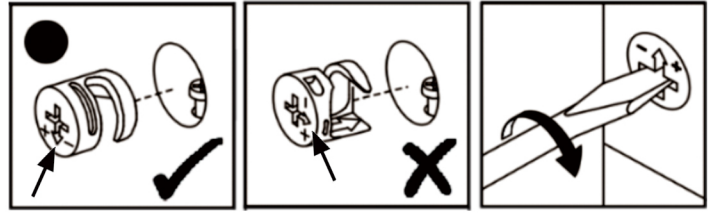
# Step 1



Fx4

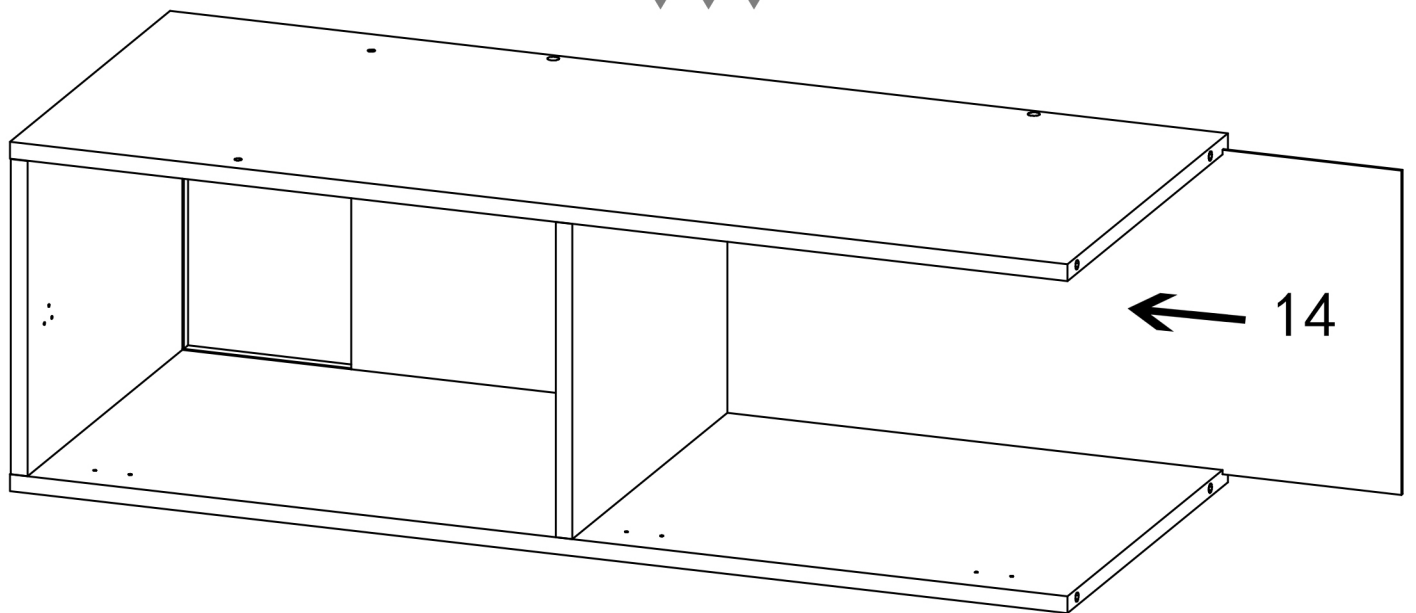
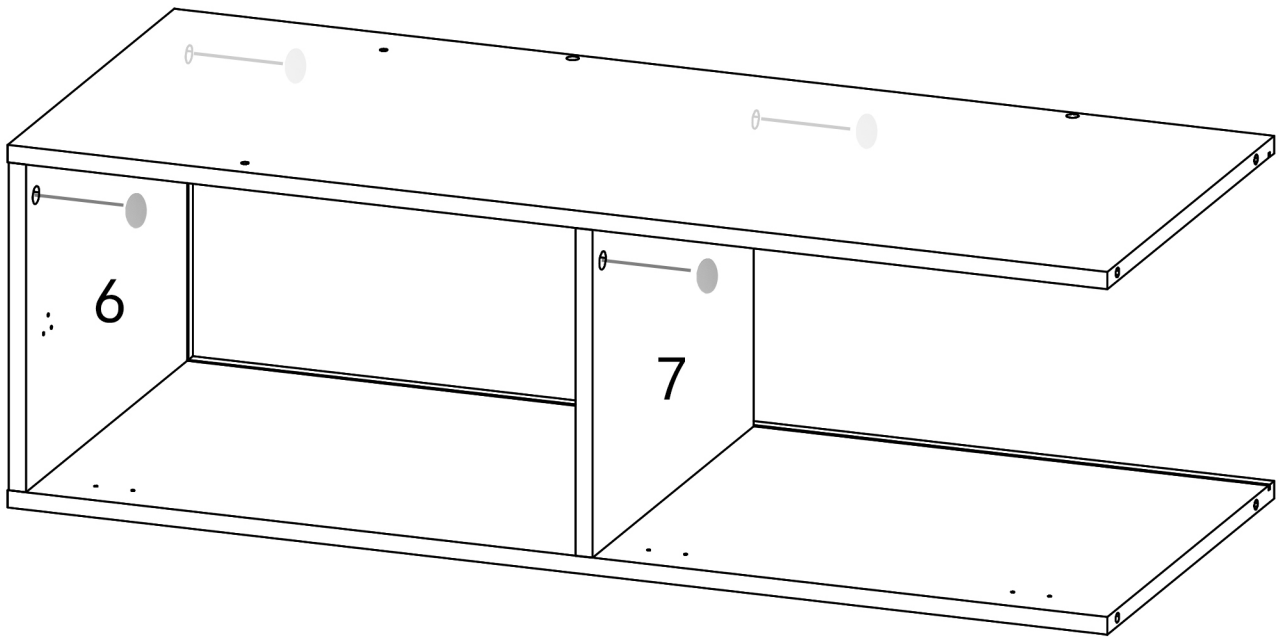
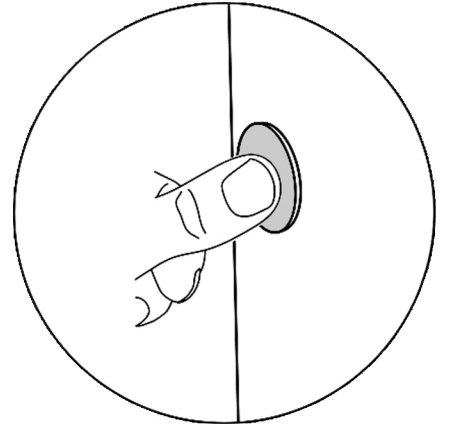
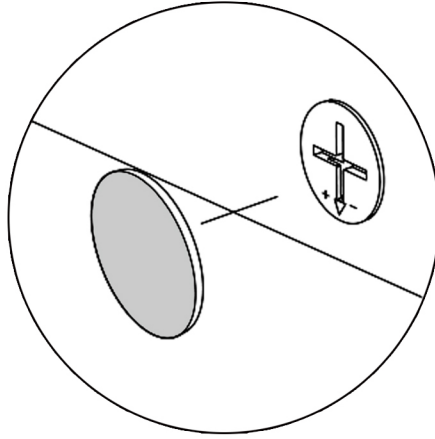
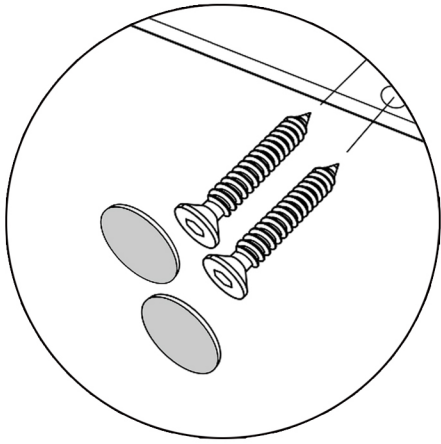
# Step 2

Installation method of three in one rod and buckle



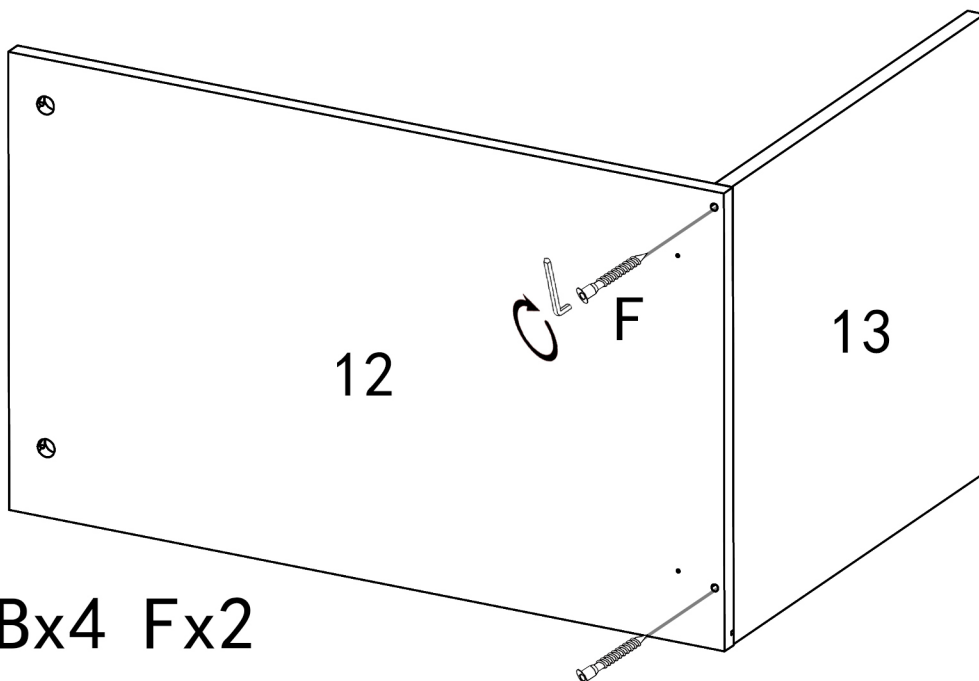
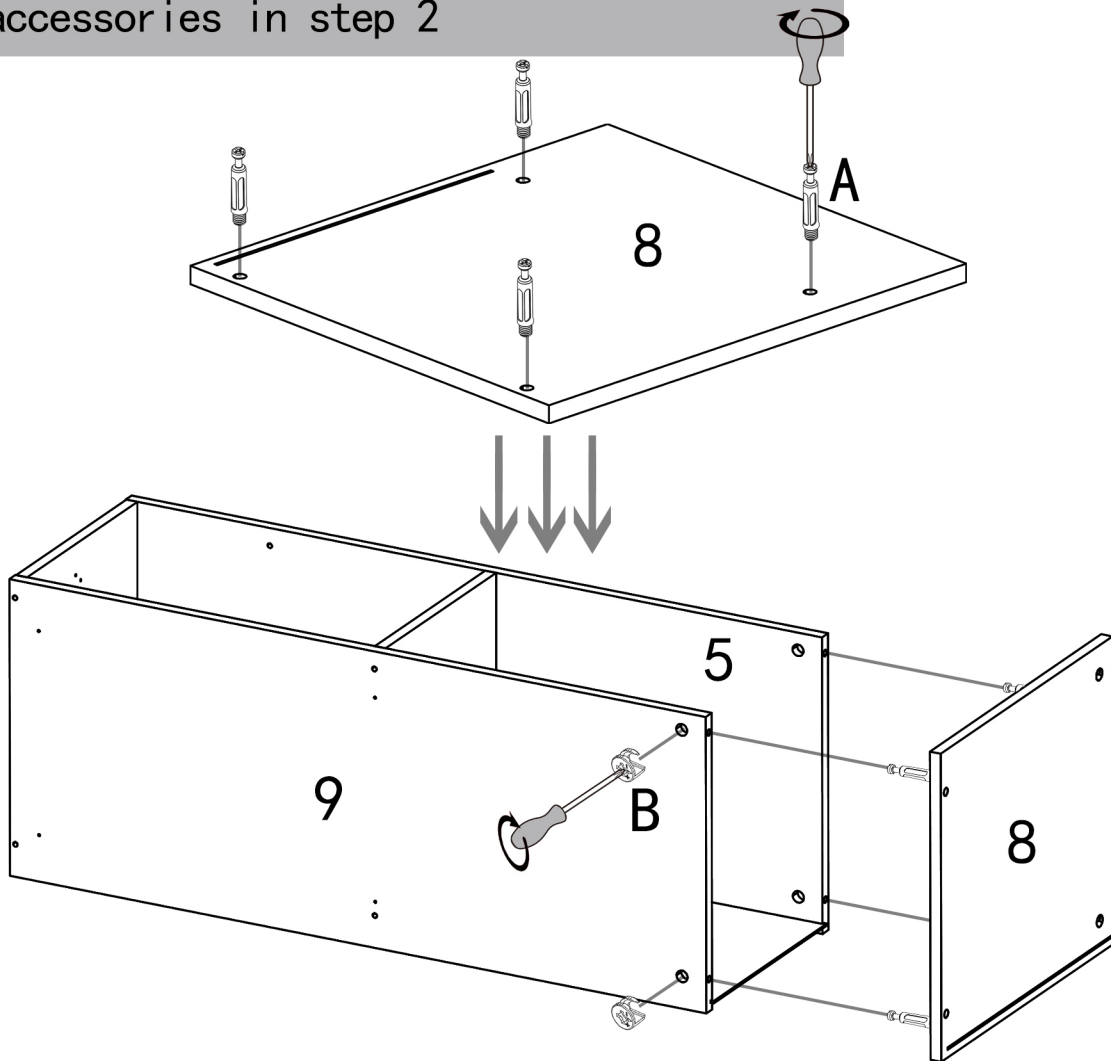
Ax4  
Bx4

# Step 3



# Step 4

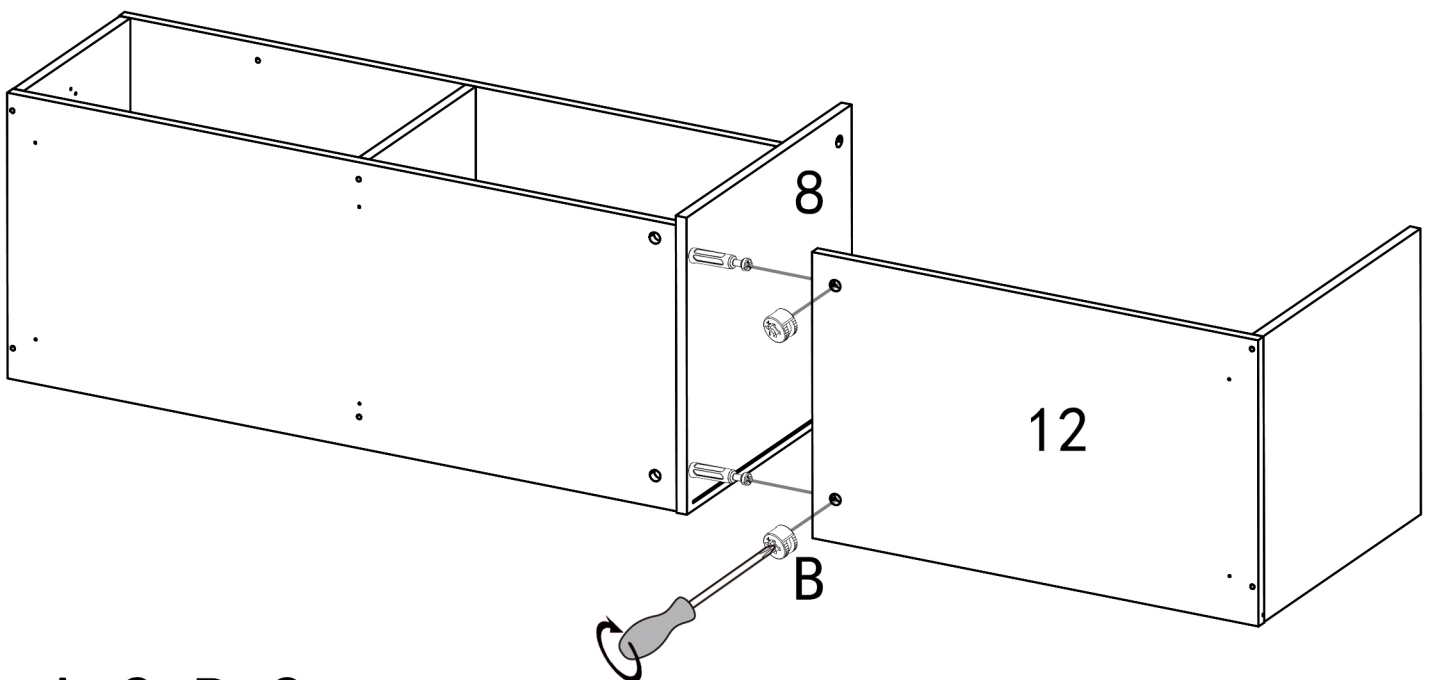
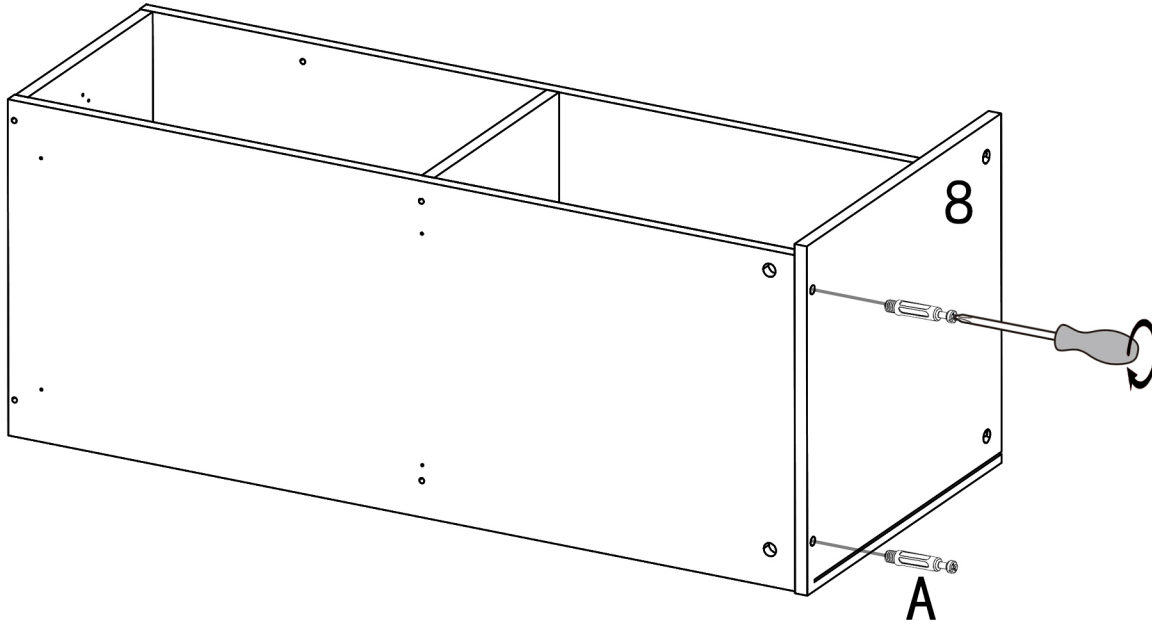
When installing accessories A and B, please refer to the installation method of the same accessories in step 2



Ax4 Bx4 Fx2

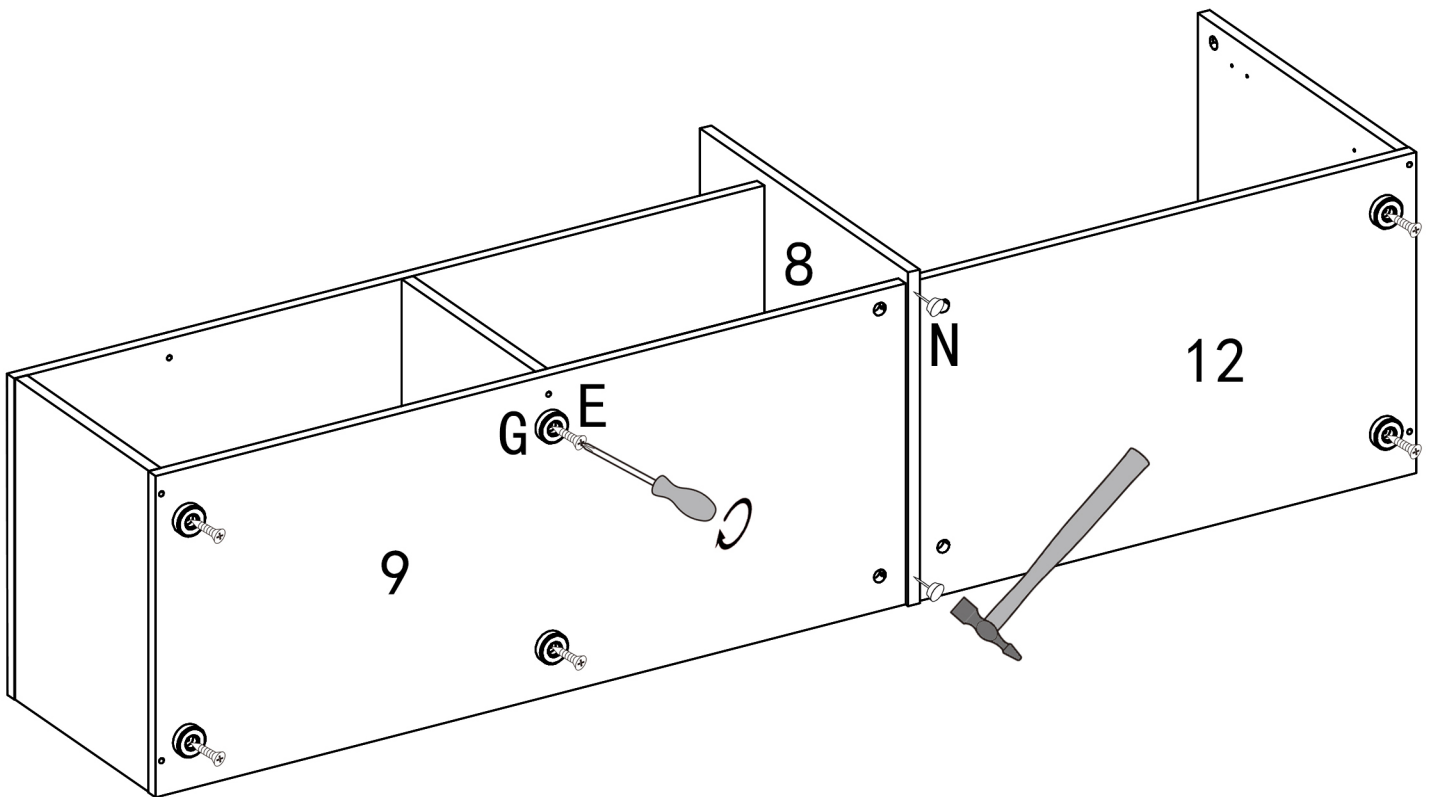
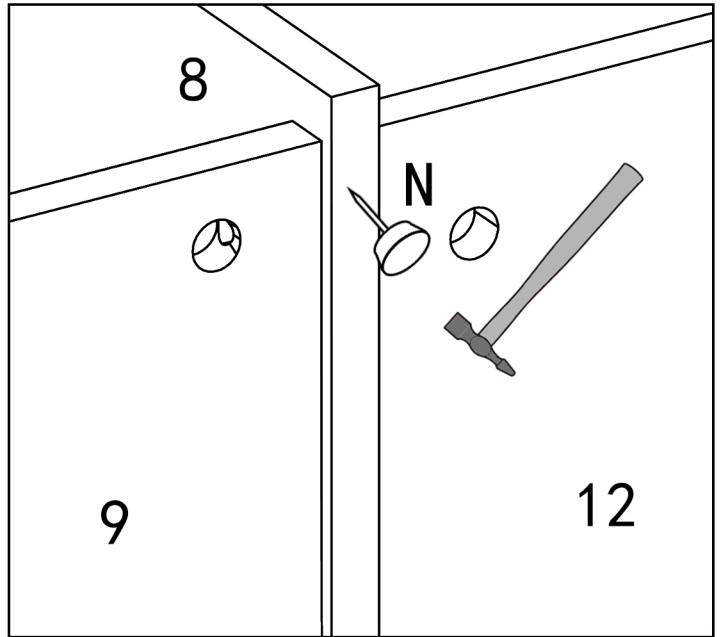
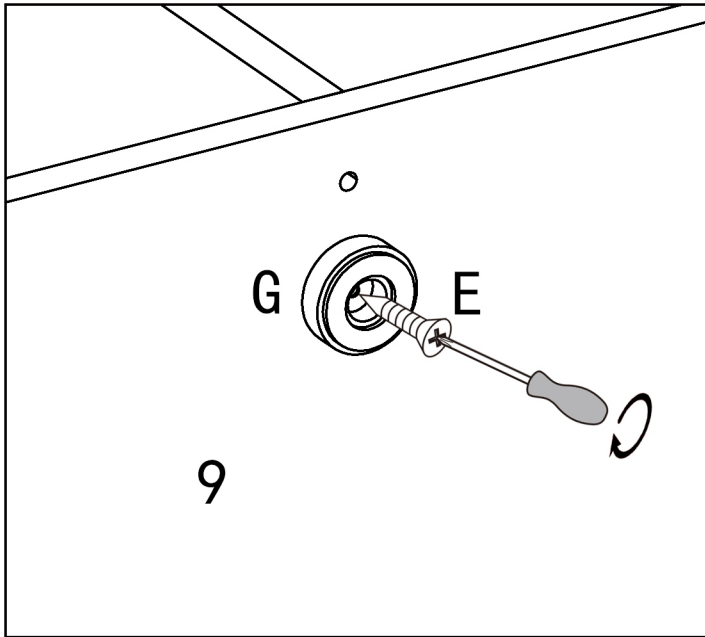
# Step 5

When installing accessories A and B, please refer to the installation method of the same accessories in step 2



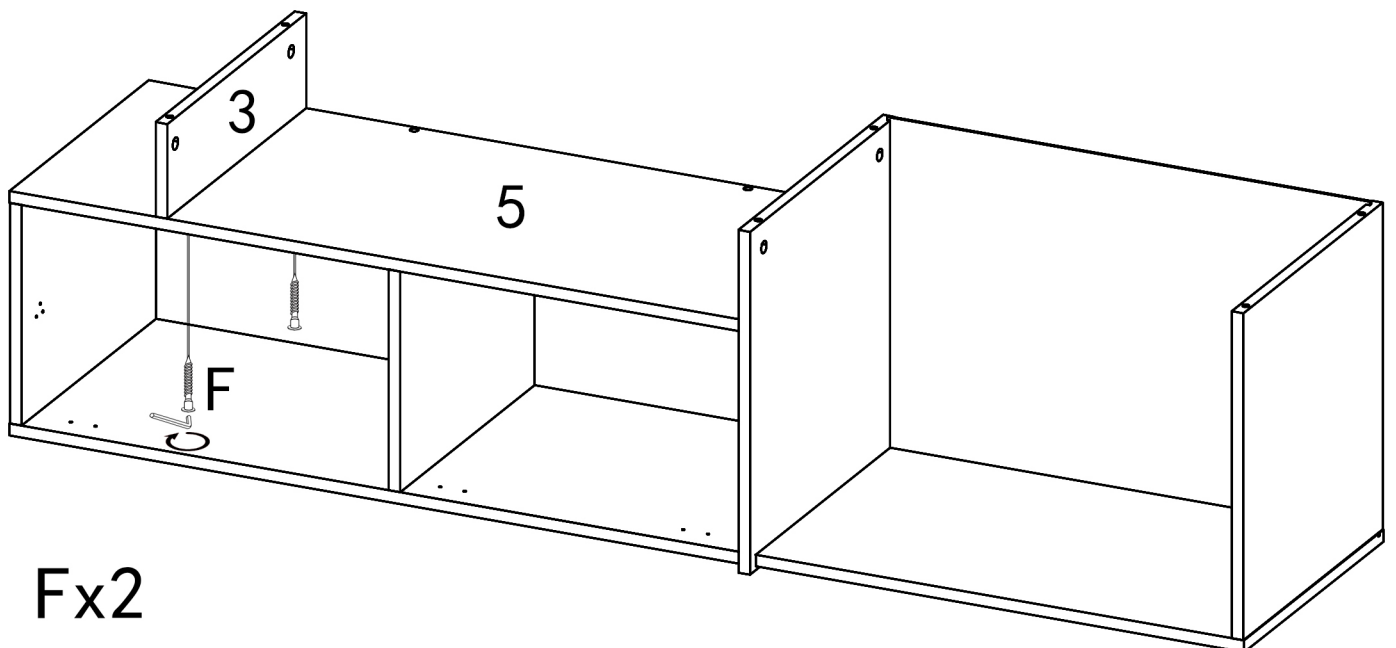
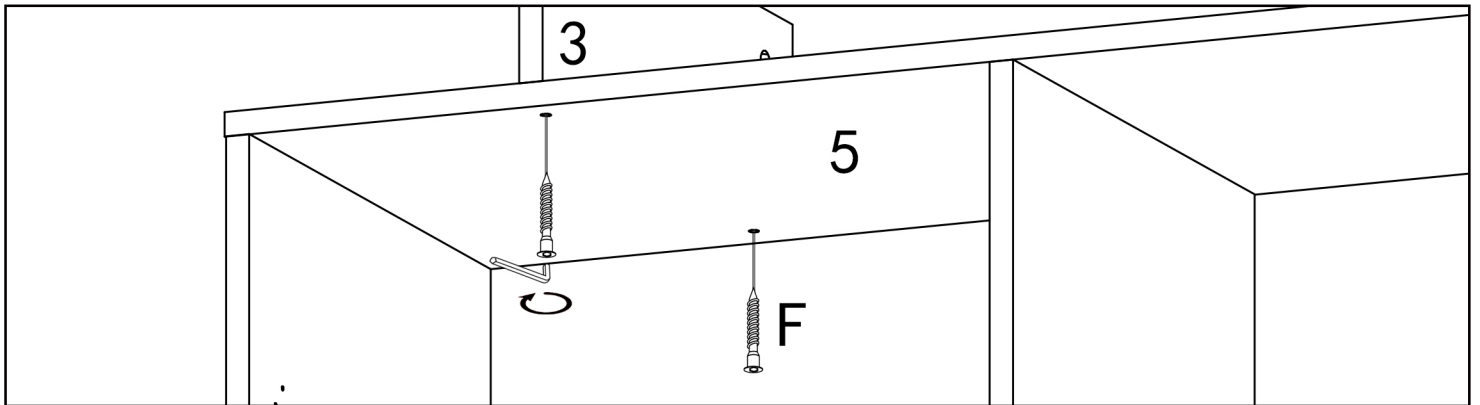
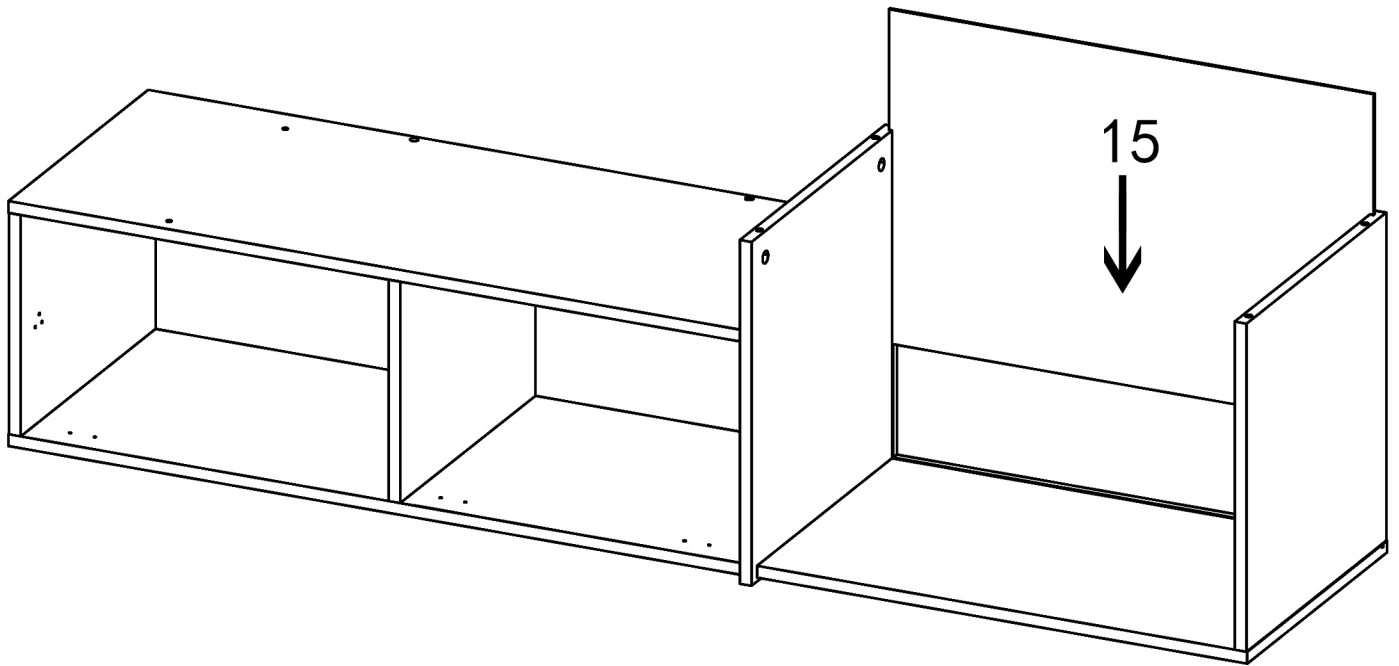
Ax2 Bx2

# Step 6



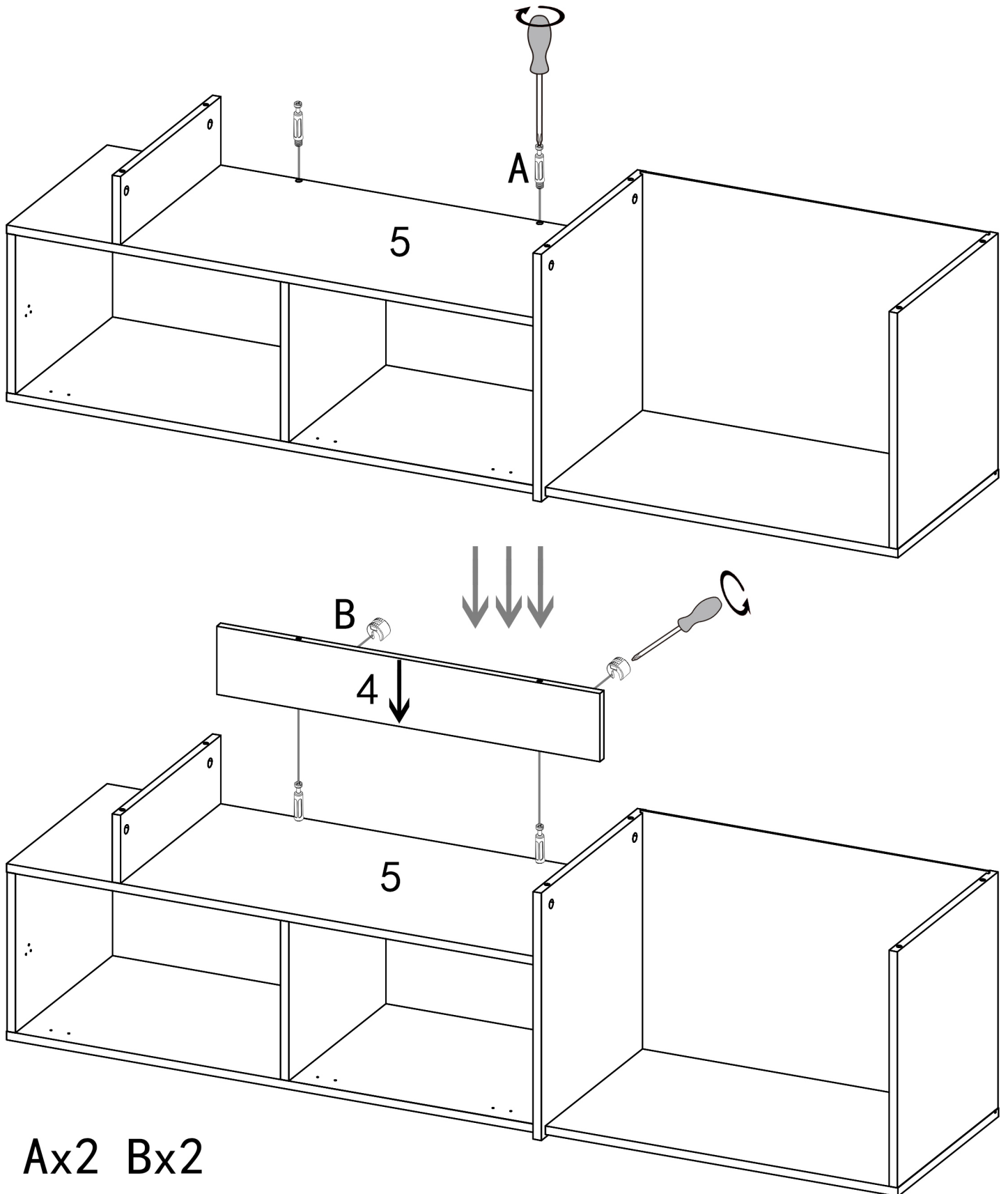
Ex6 Gx6 Nx2

# Step 7



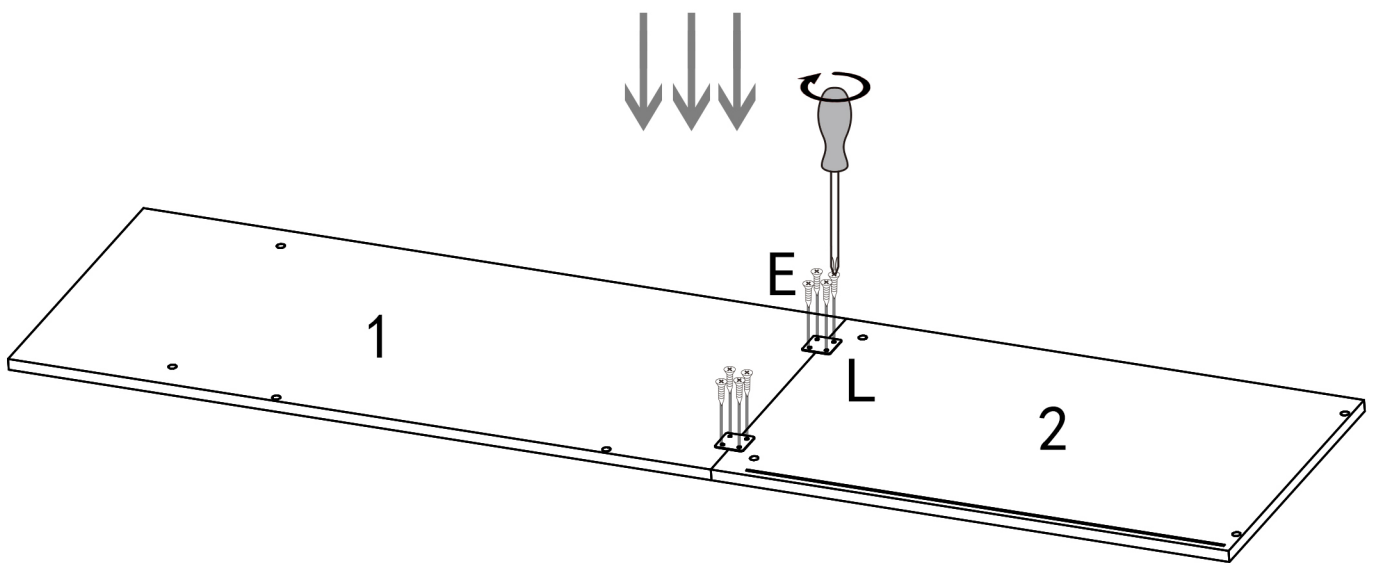
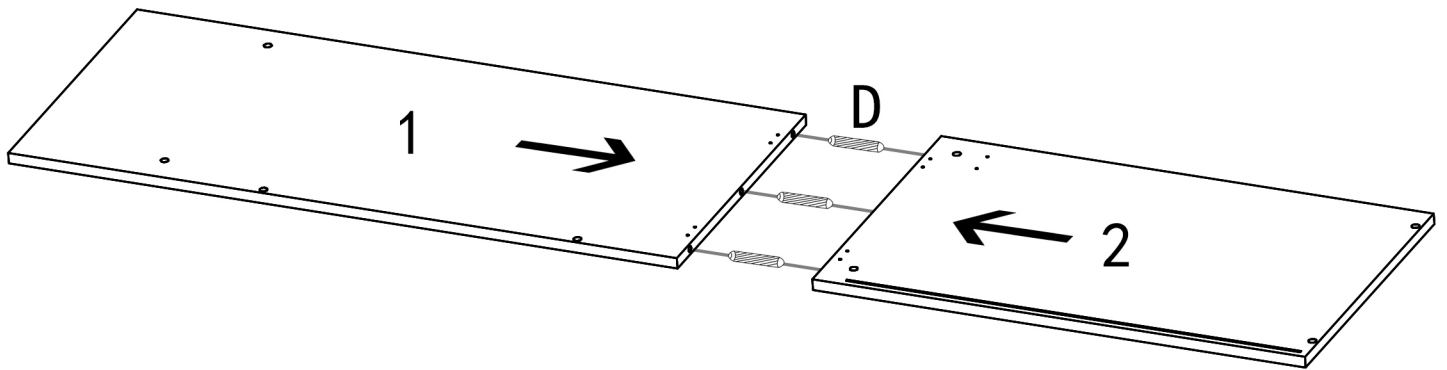
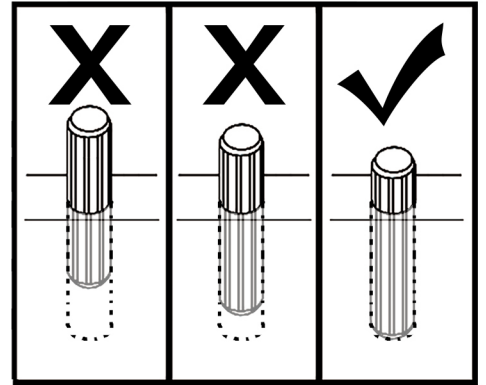
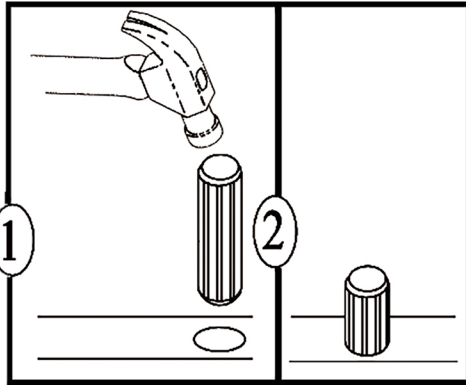
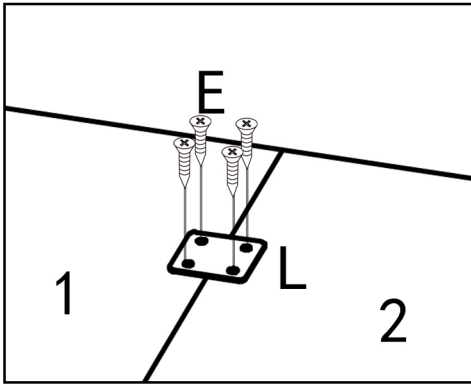
# Step 8

When installing accessories A and B, please refer to the installation method of the same accessories in step 2



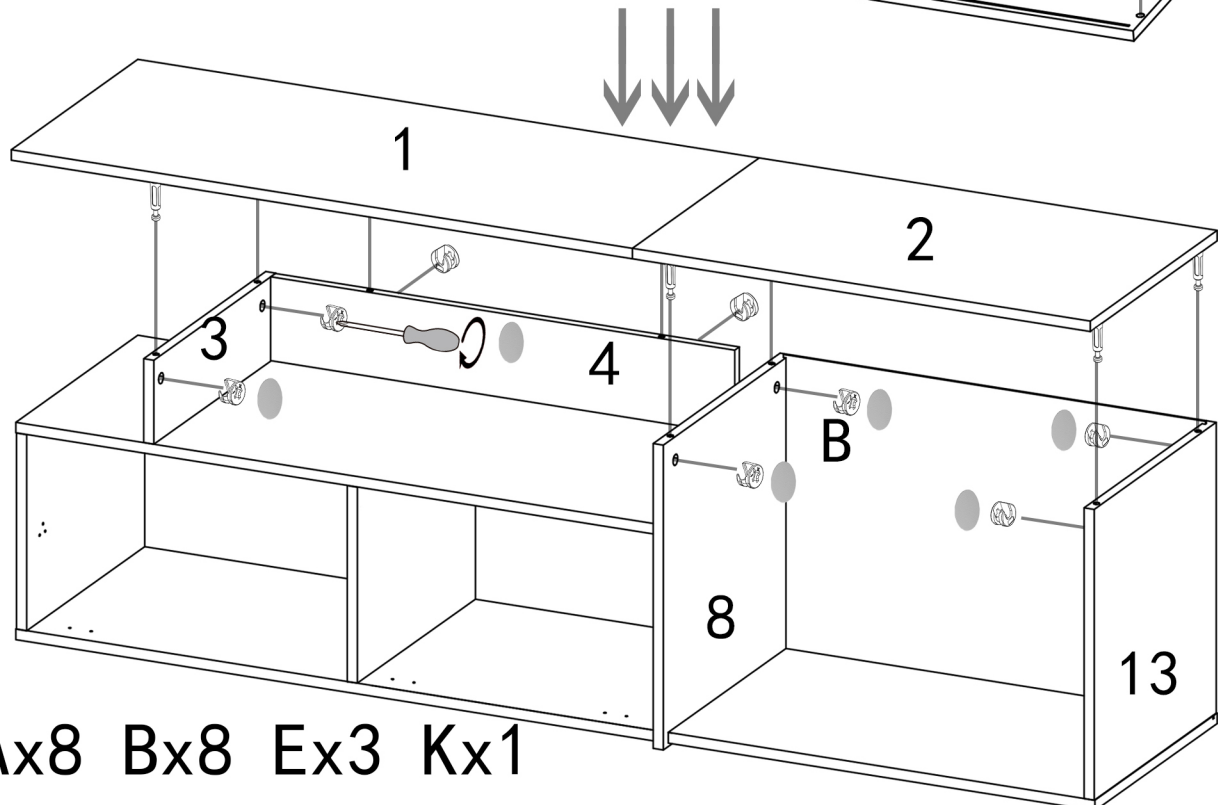
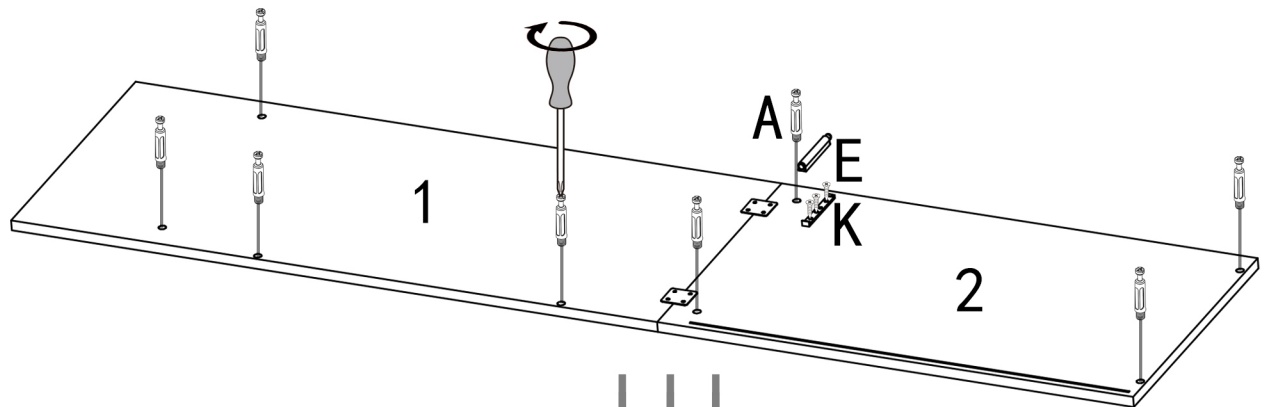
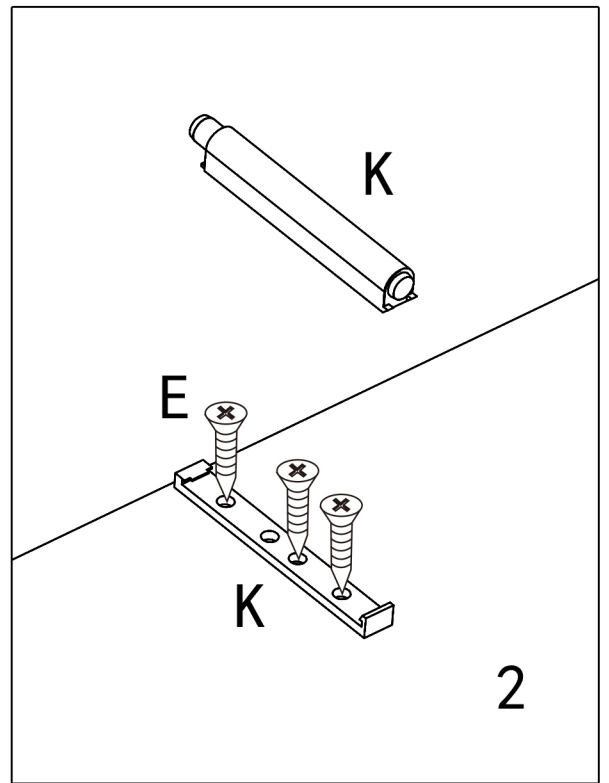
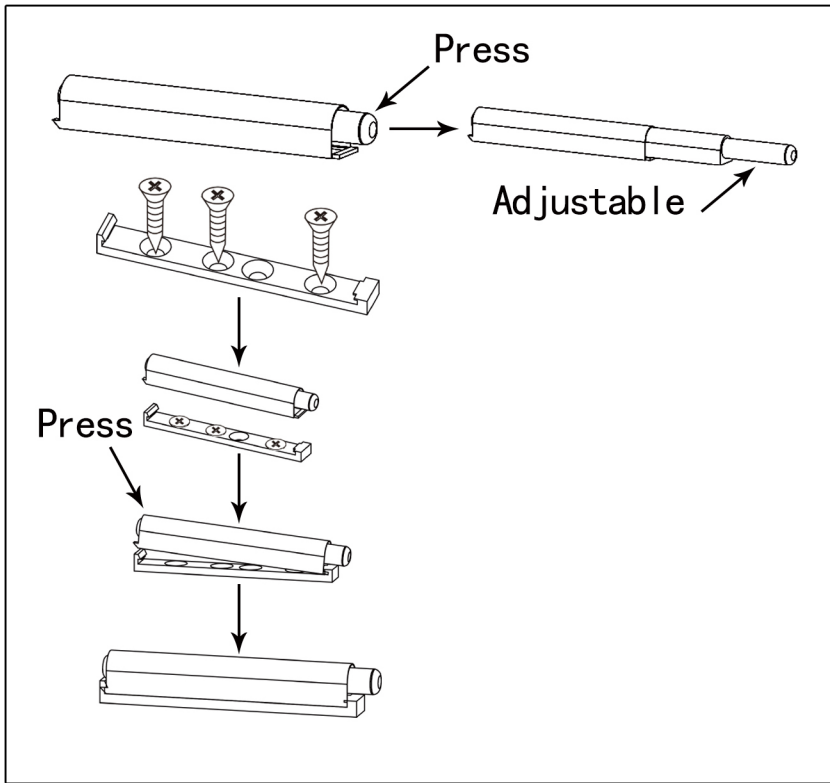


# Step 9



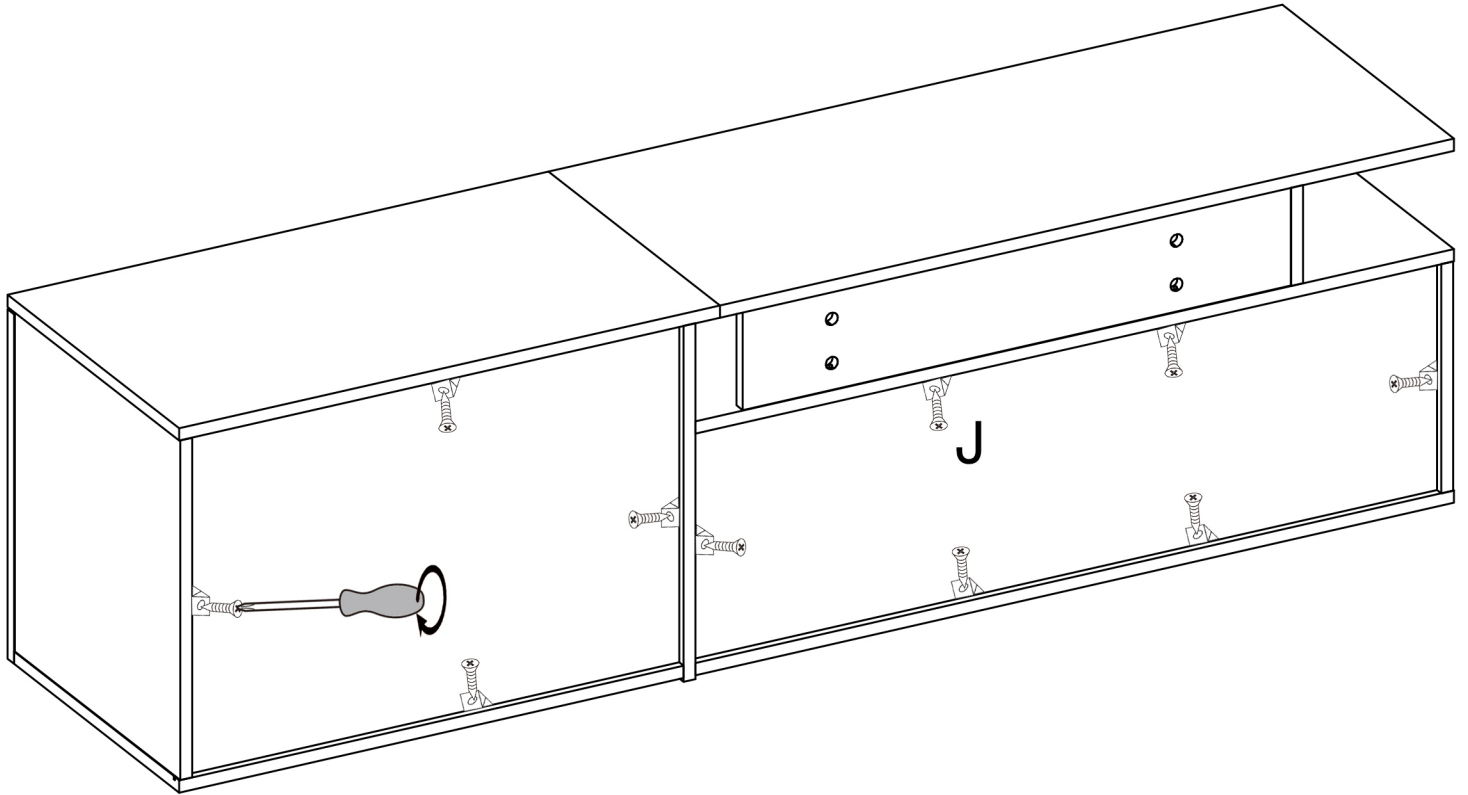
Dx3 Ex8 Lx2

# Step 10

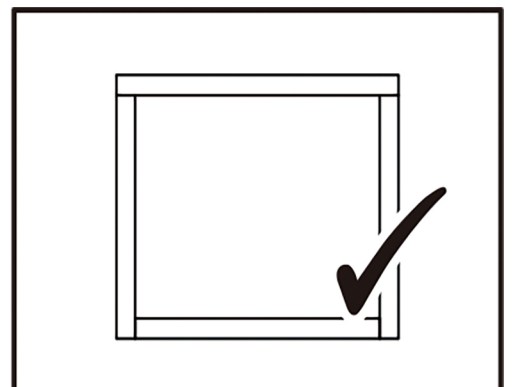
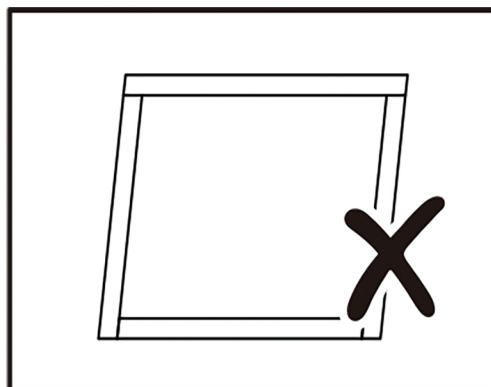
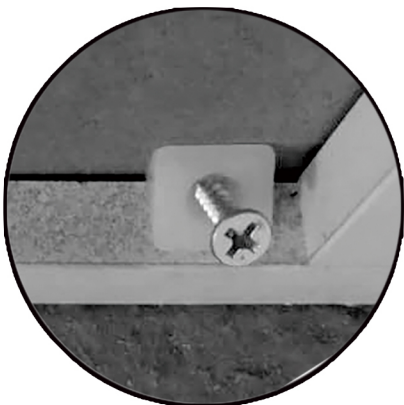


Ax8 Bx8 Ex3 Kx1

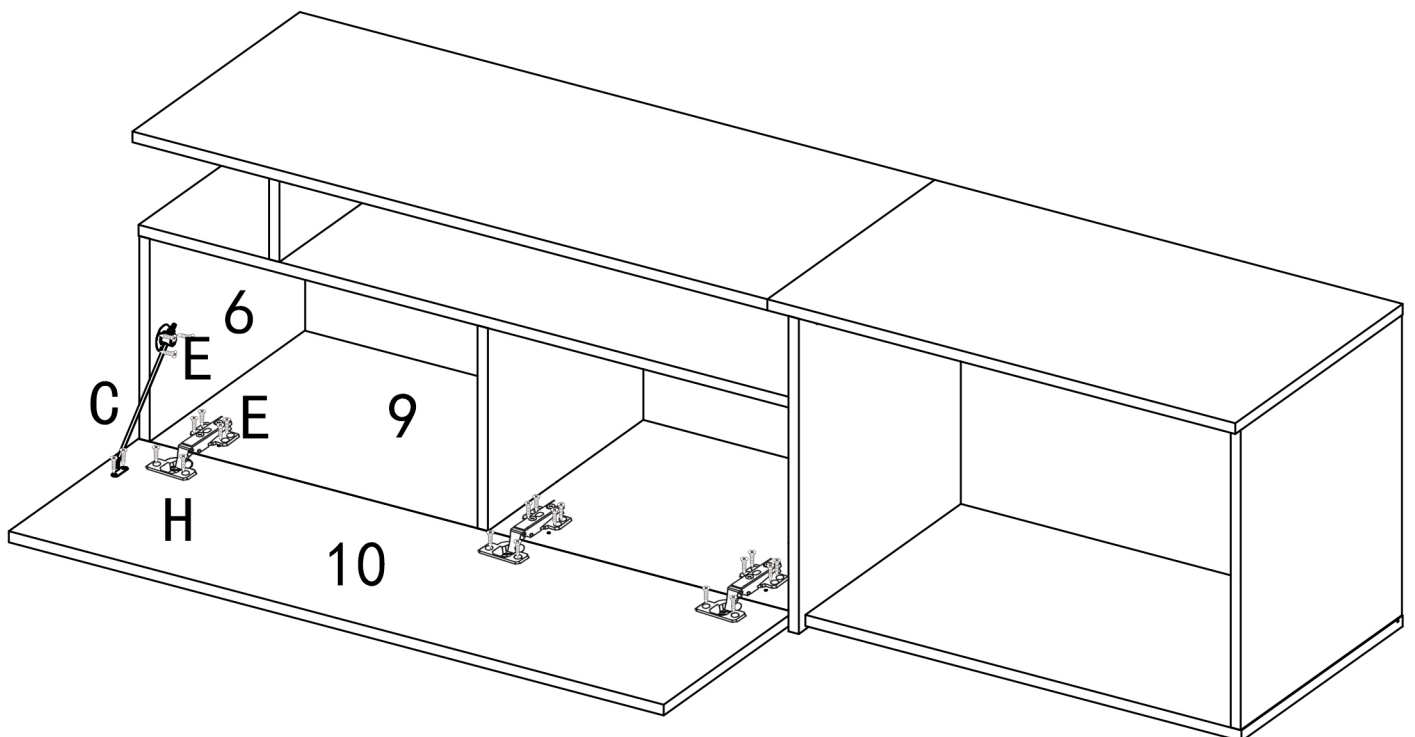
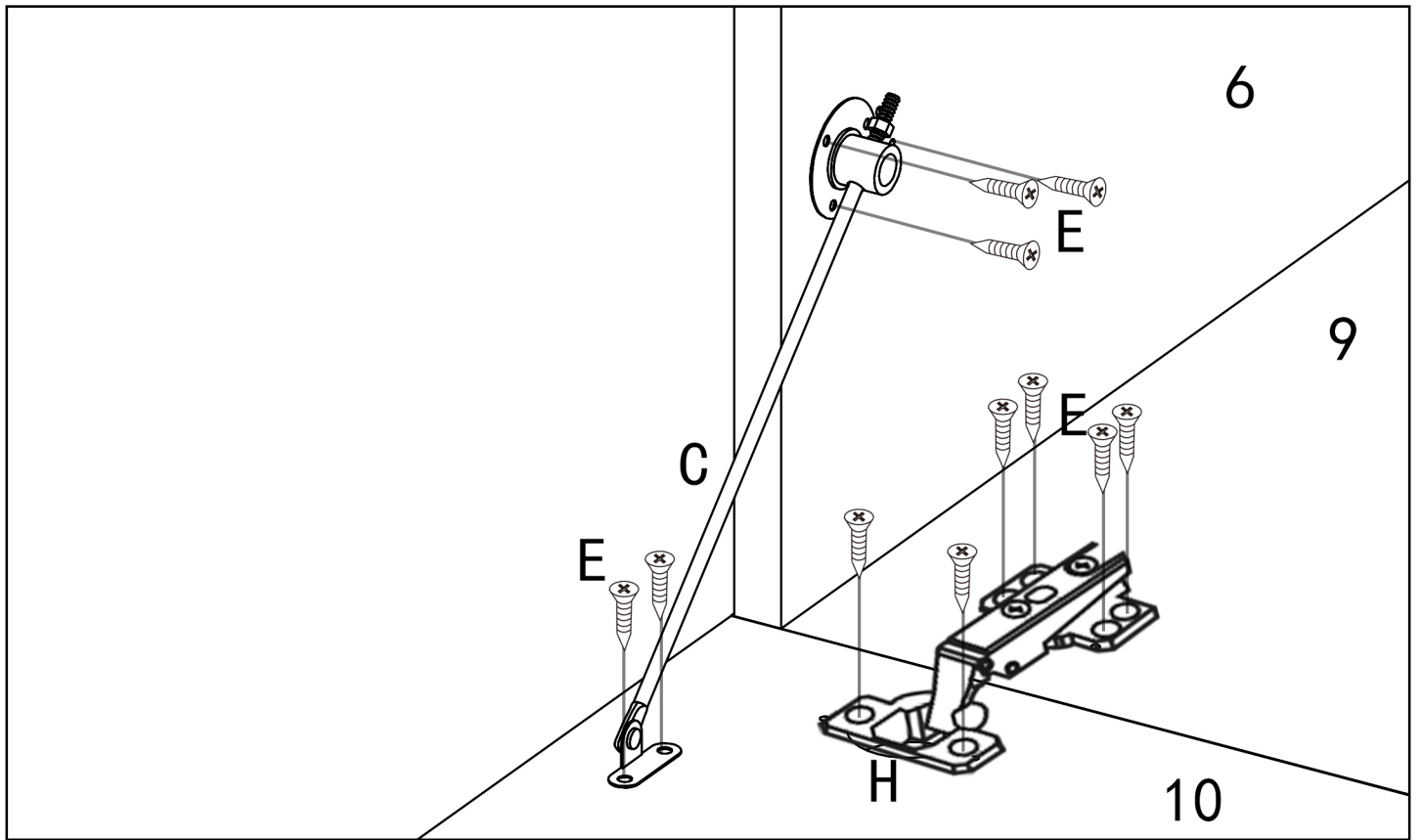
# Step 11



Jx10

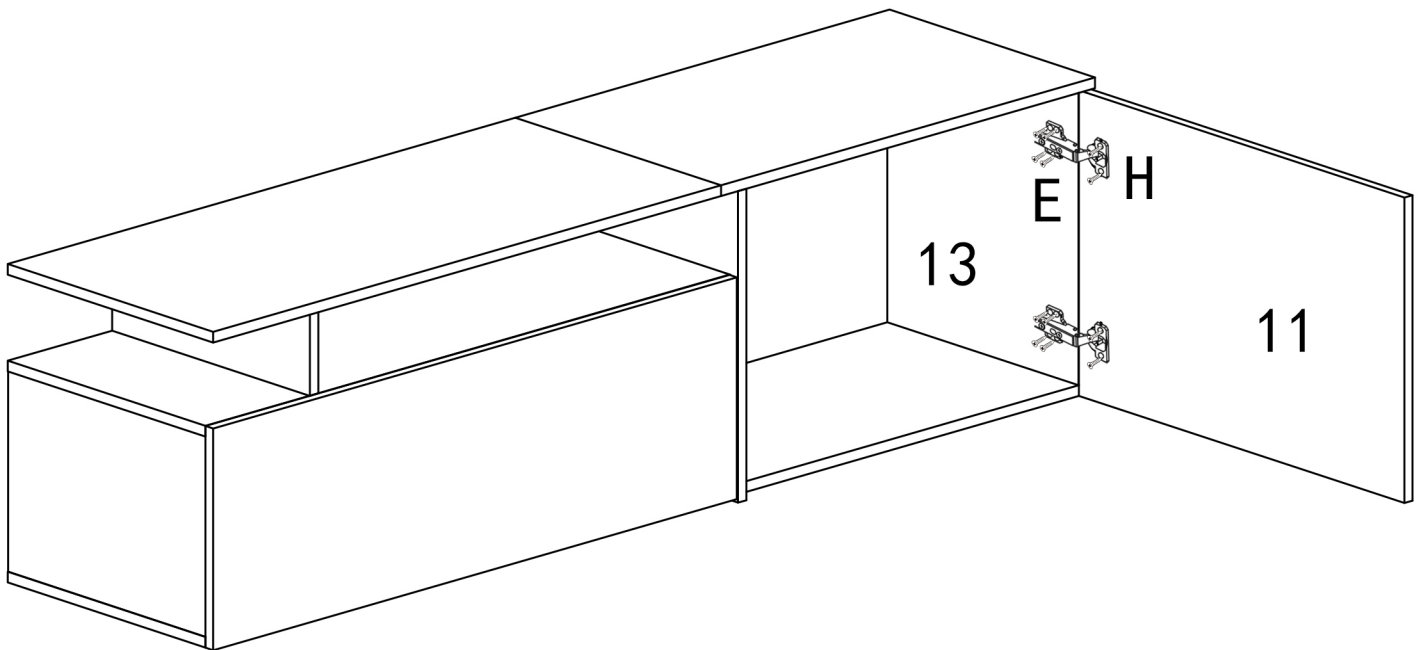
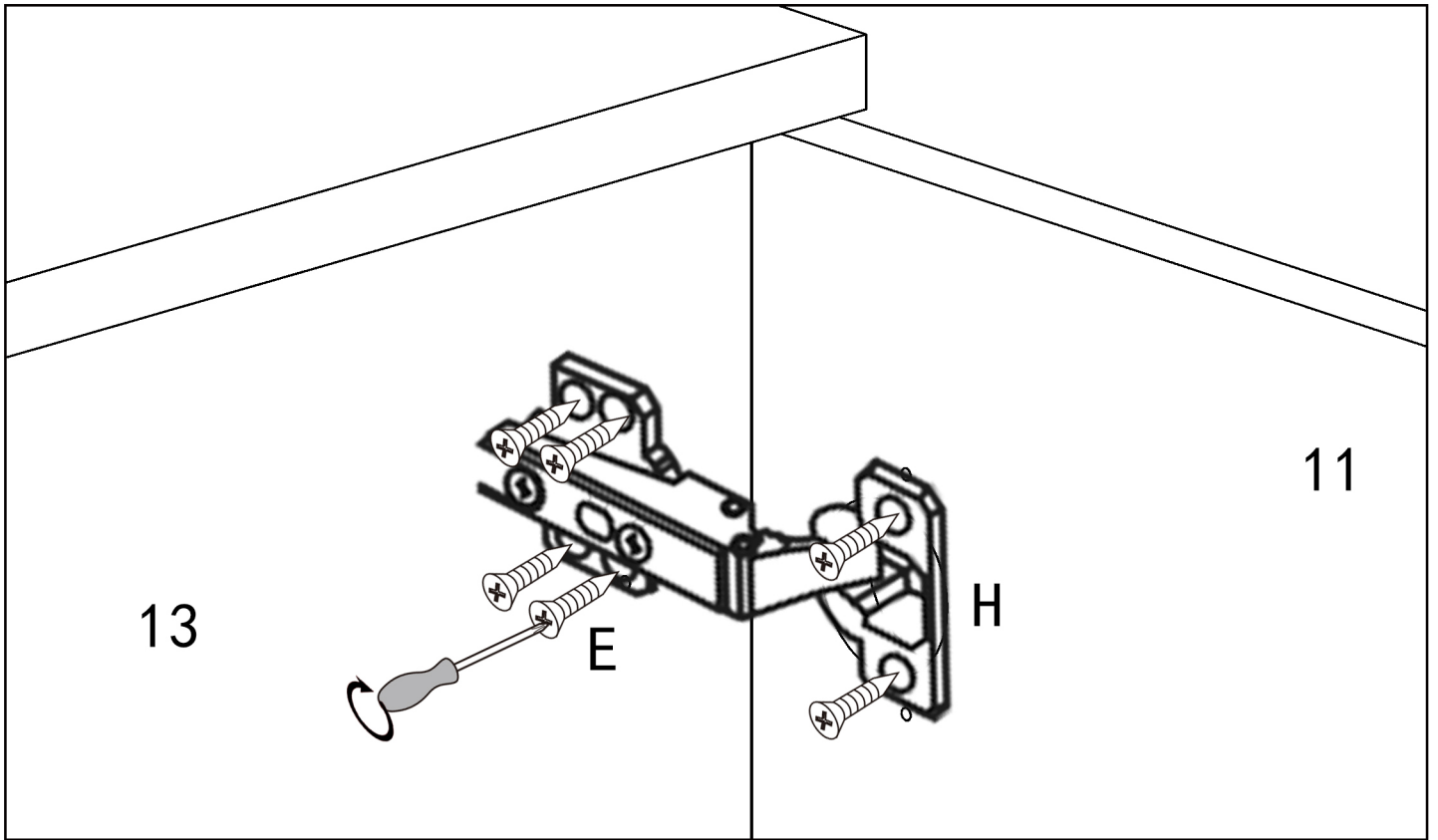


# Step12



Cx1 Ex23 Hx3

# Step13



Hx2 Ex12