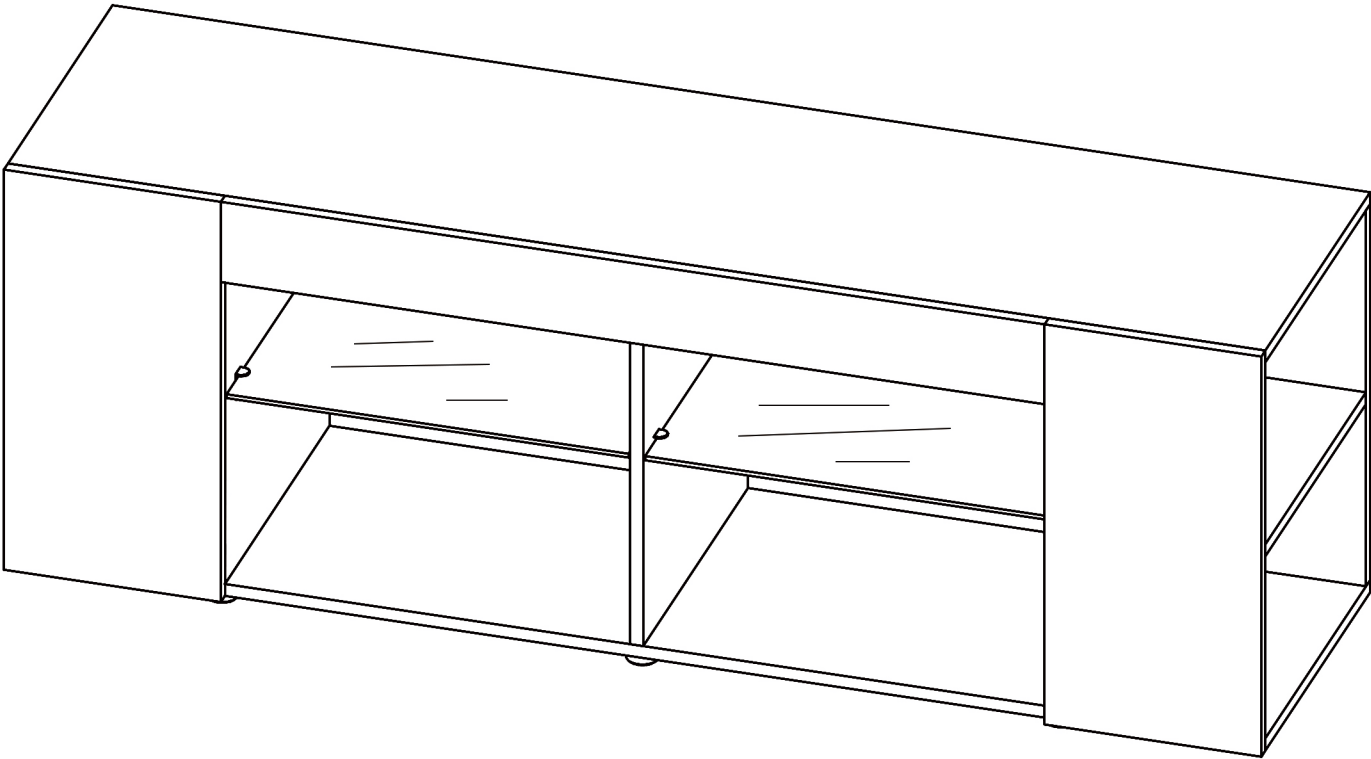
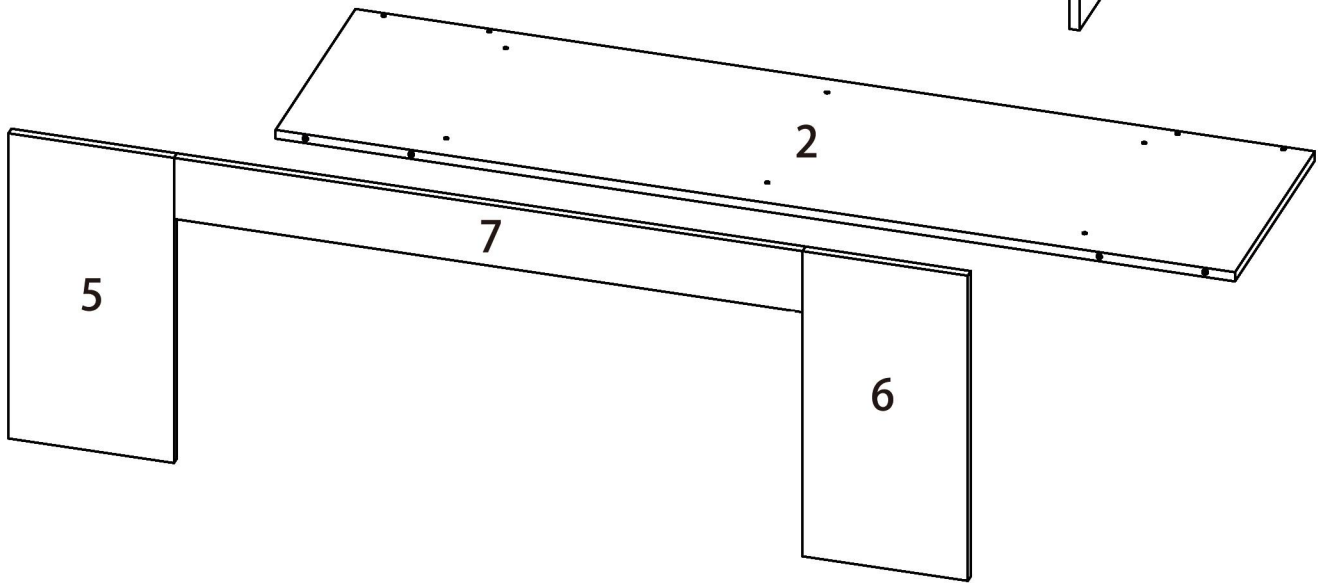
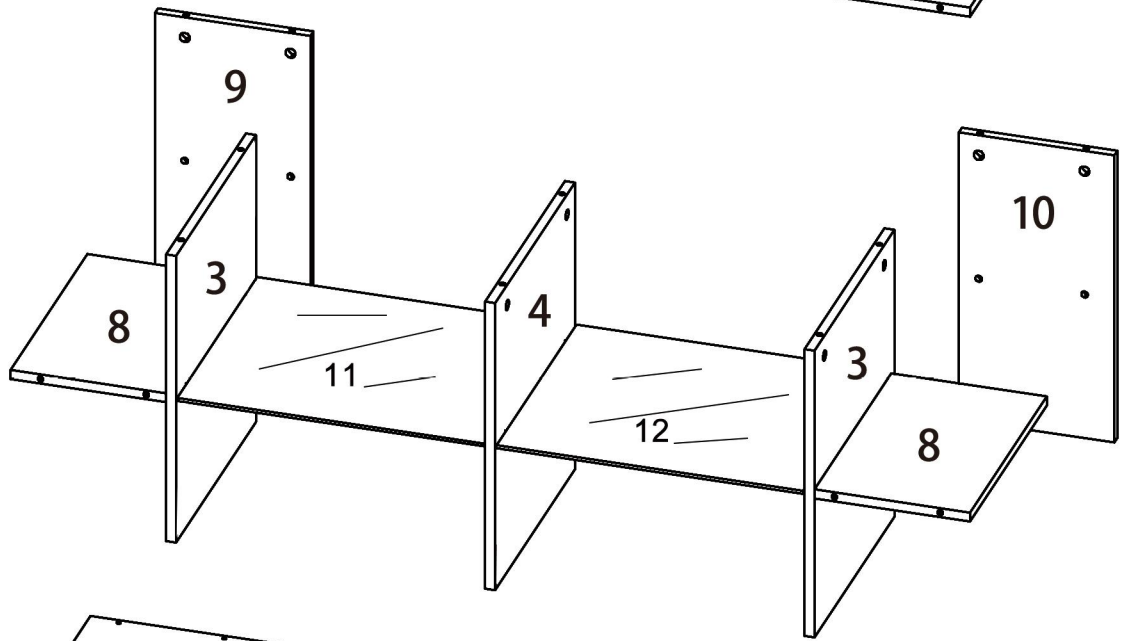
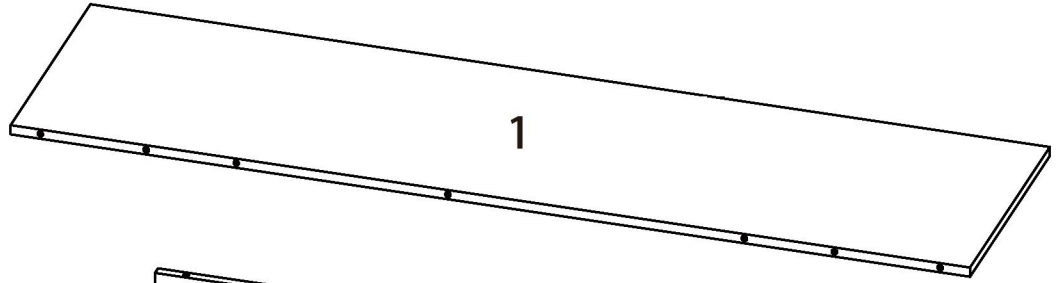



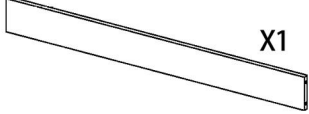
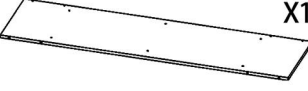
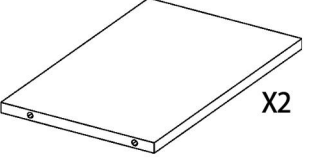
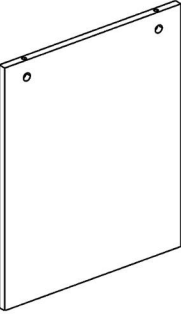
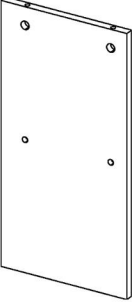
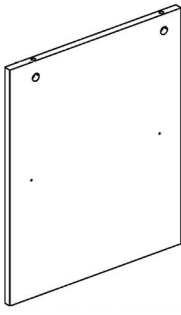
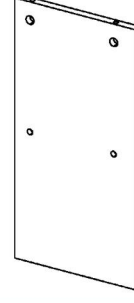

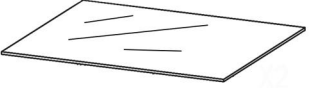

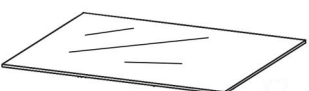
# Assembly Instruction







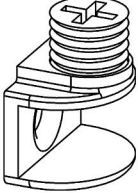

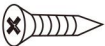




Unit: (mm)

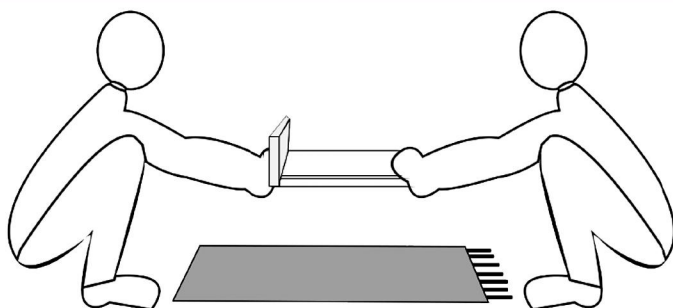
# PARTS LIST

1	 X1	1450x385	1/2	7	 X1	970x118	1/2
2	 X1	1450x385	1/2	8	 X2	223x369	2/2
3	 X2	460x385	2/2	9	 X1	460x223	2/2
4	 X1	460x385	1/2	10	 X1	460x223	2/2
5	 X1	491x240	1/2	11	 X1	470x383x5	1/2
6	 X1	491x240	1/2	12	 X1	470x383x5	1/2

Unit: (mm)

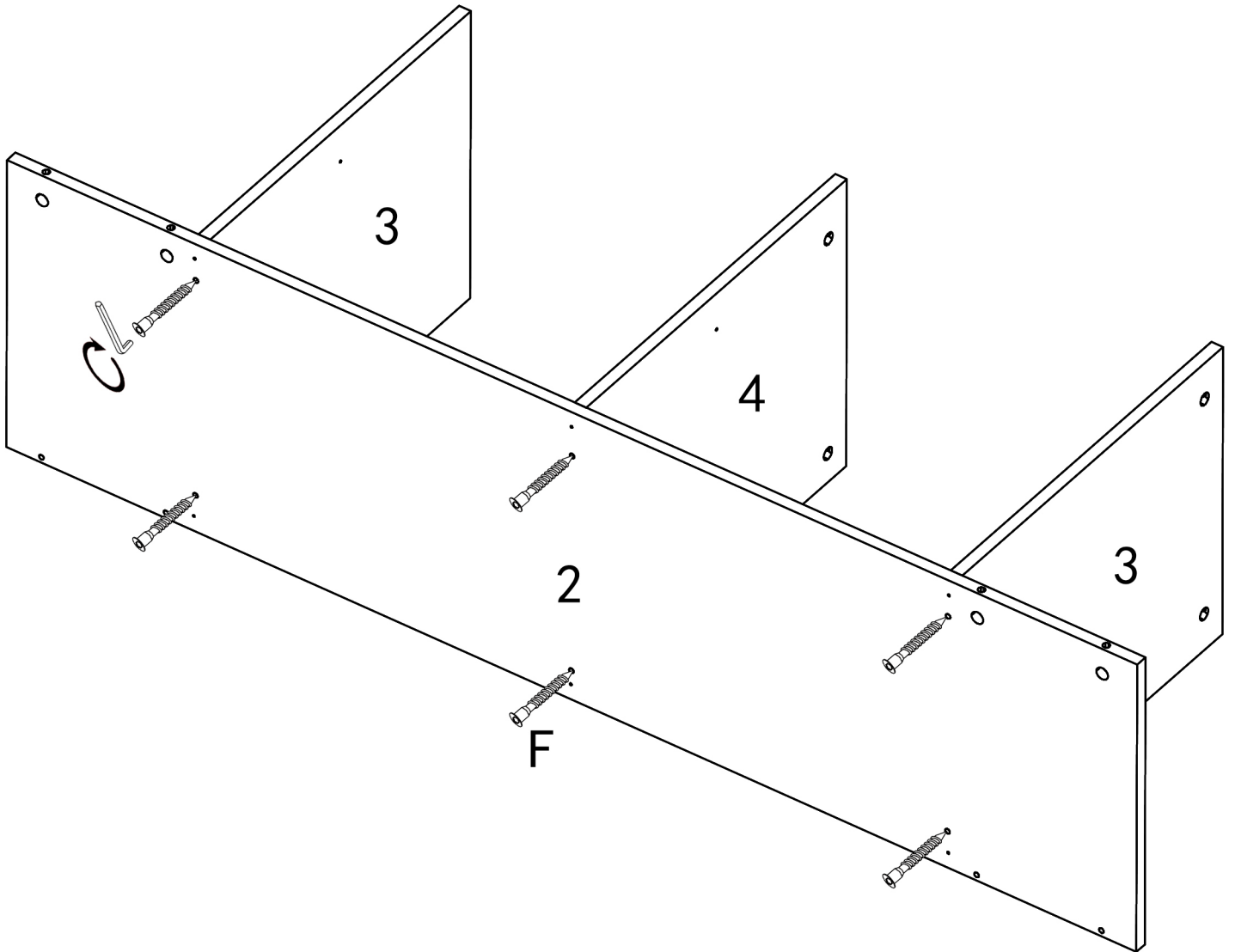
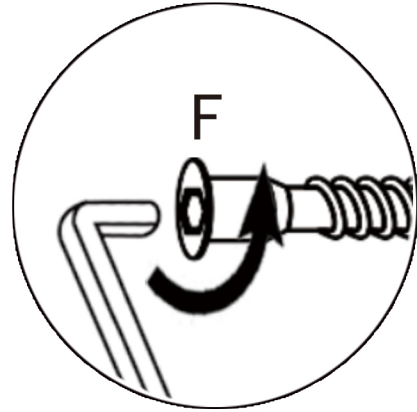
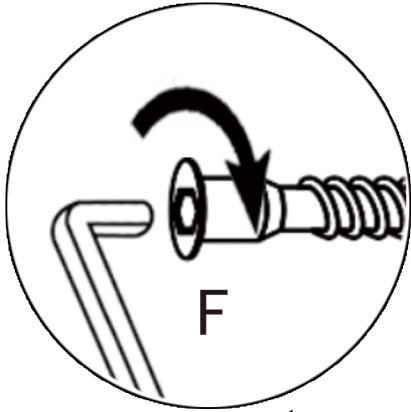
# ACCESSORIES LIST

A		X29	6x40	2/2	B		X29	15x11	2/2
C		X8	Glass clamp	2/2	D		X4	8x40	2/2
E		X14	M3.5x14	2/2	F	 	X10 X1	M5x40/#3	2/2
G		X6	10x Φ40	2/2			X22	21mm	2/2





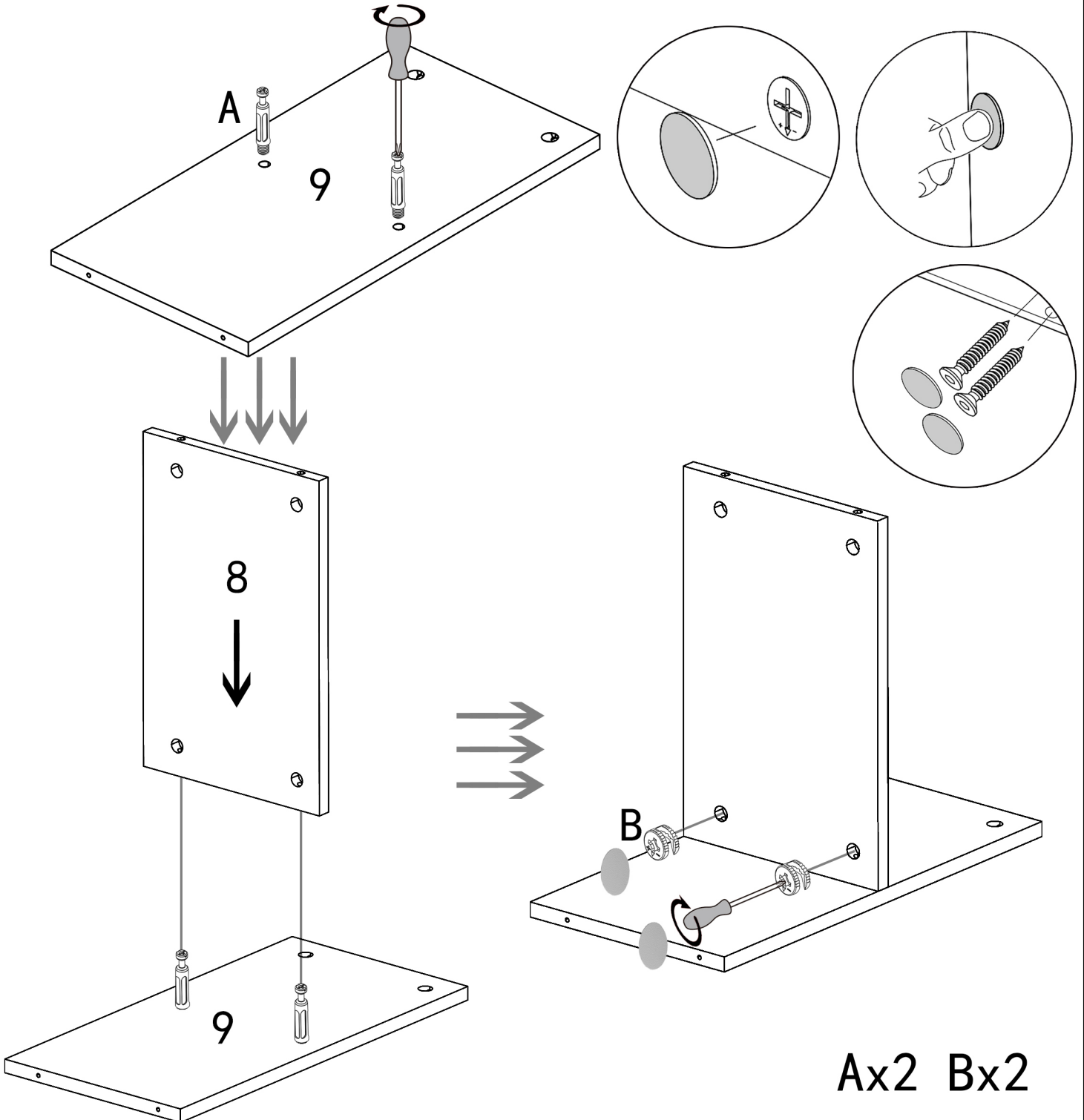
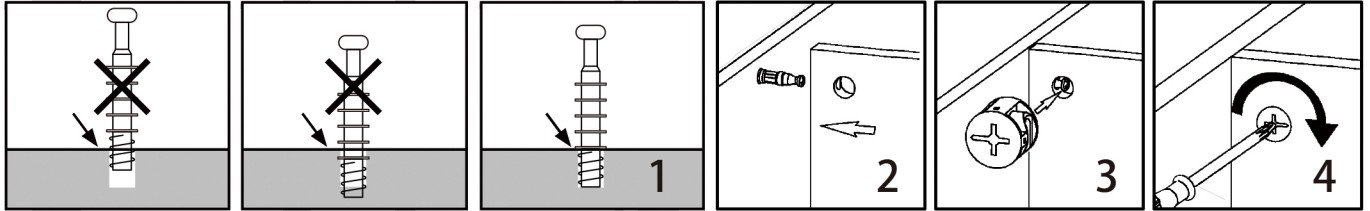
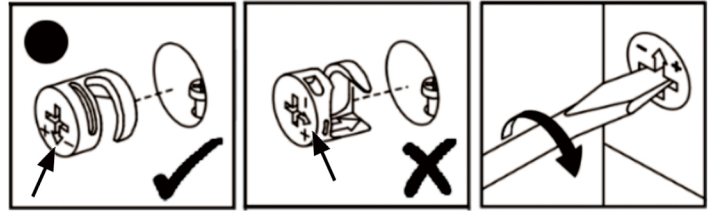
# Step 1



Fx6

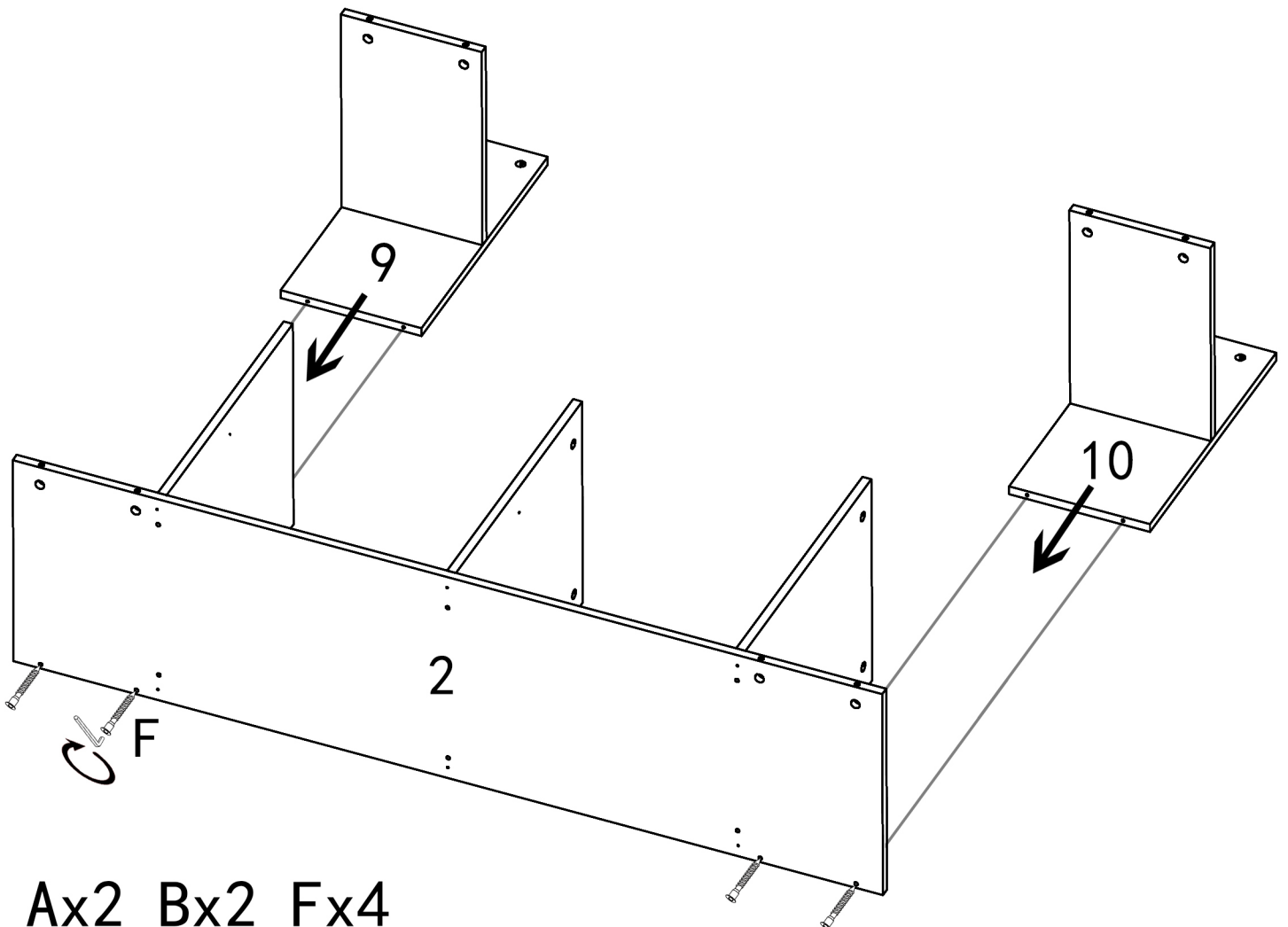
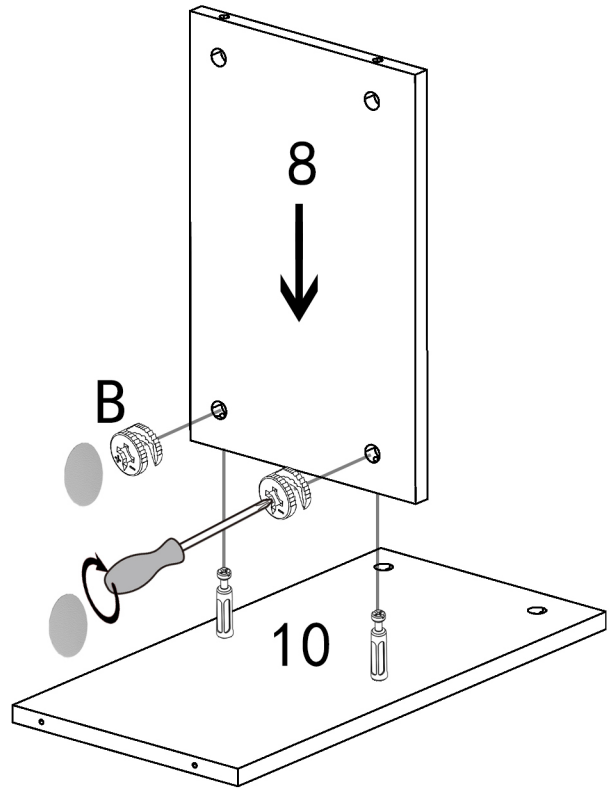
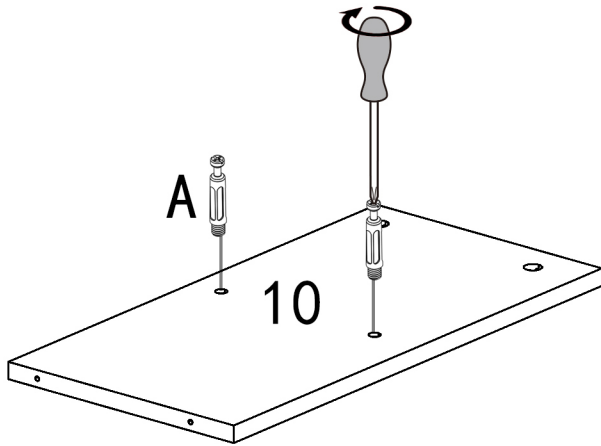
# Step 2

Installation method of three in one rod and buckle



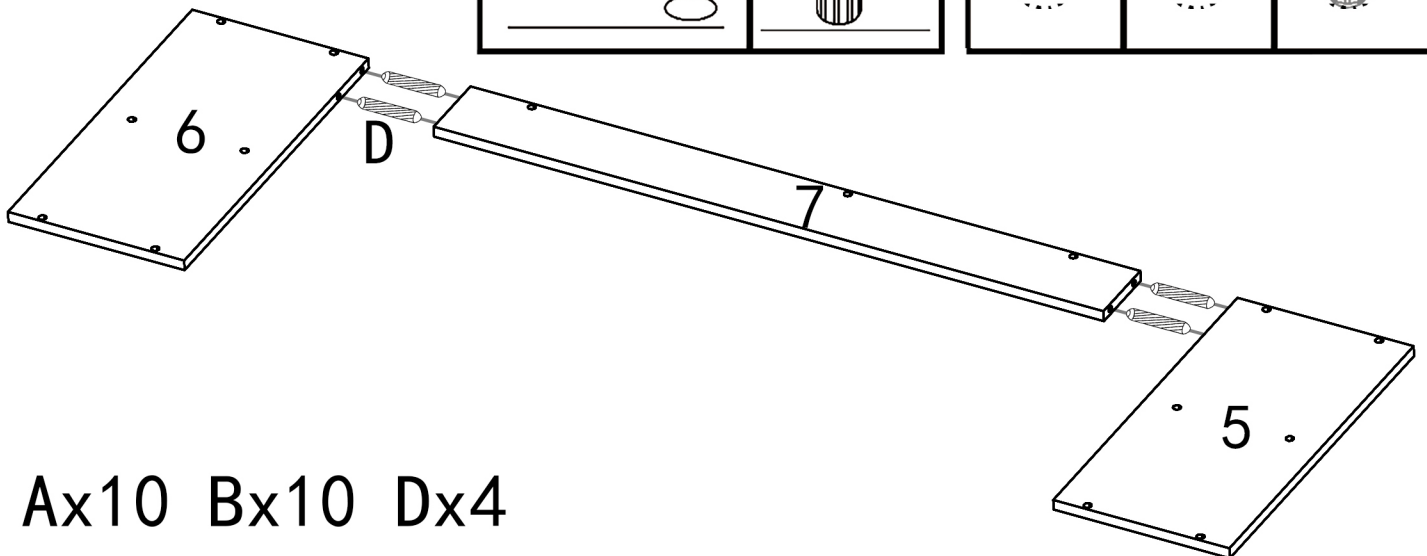
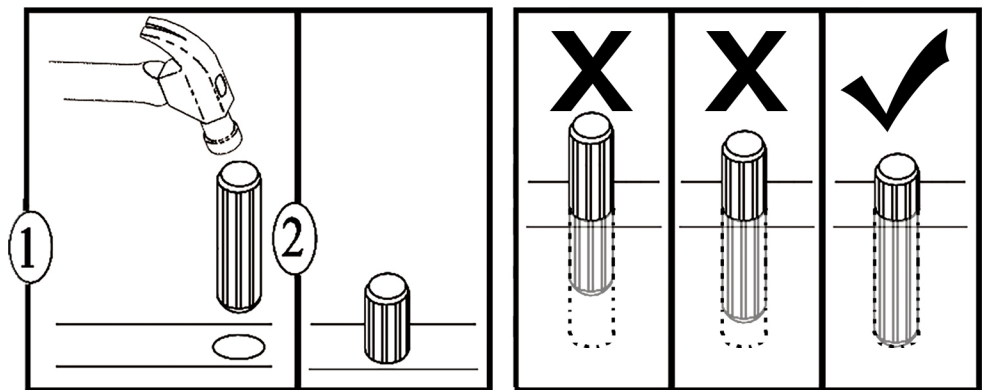
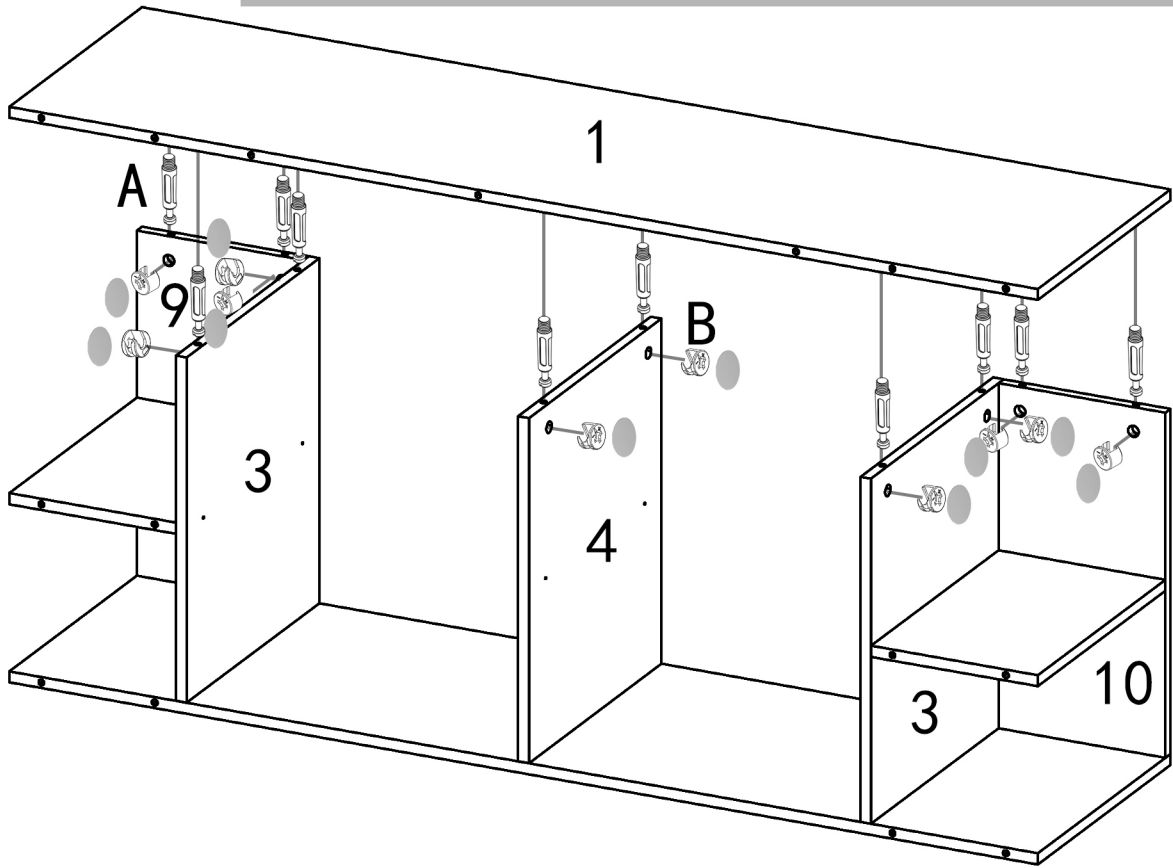
# Step 3

When installing accessories A and B, please refer to the installation method of the same accessories in step 2



# Step 4

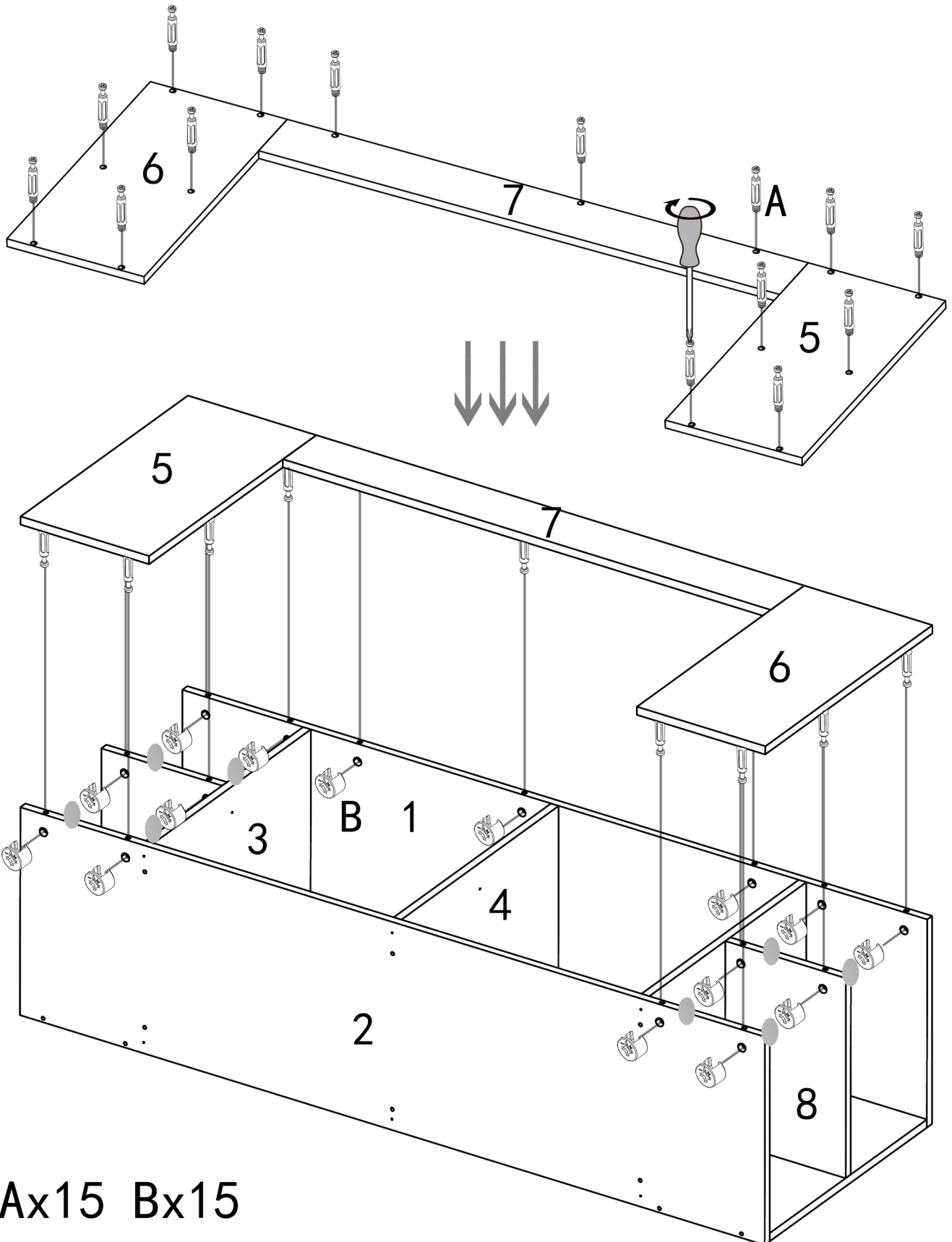
When installing accessories A and B, please refer to the installation method of the same accessories in step 2



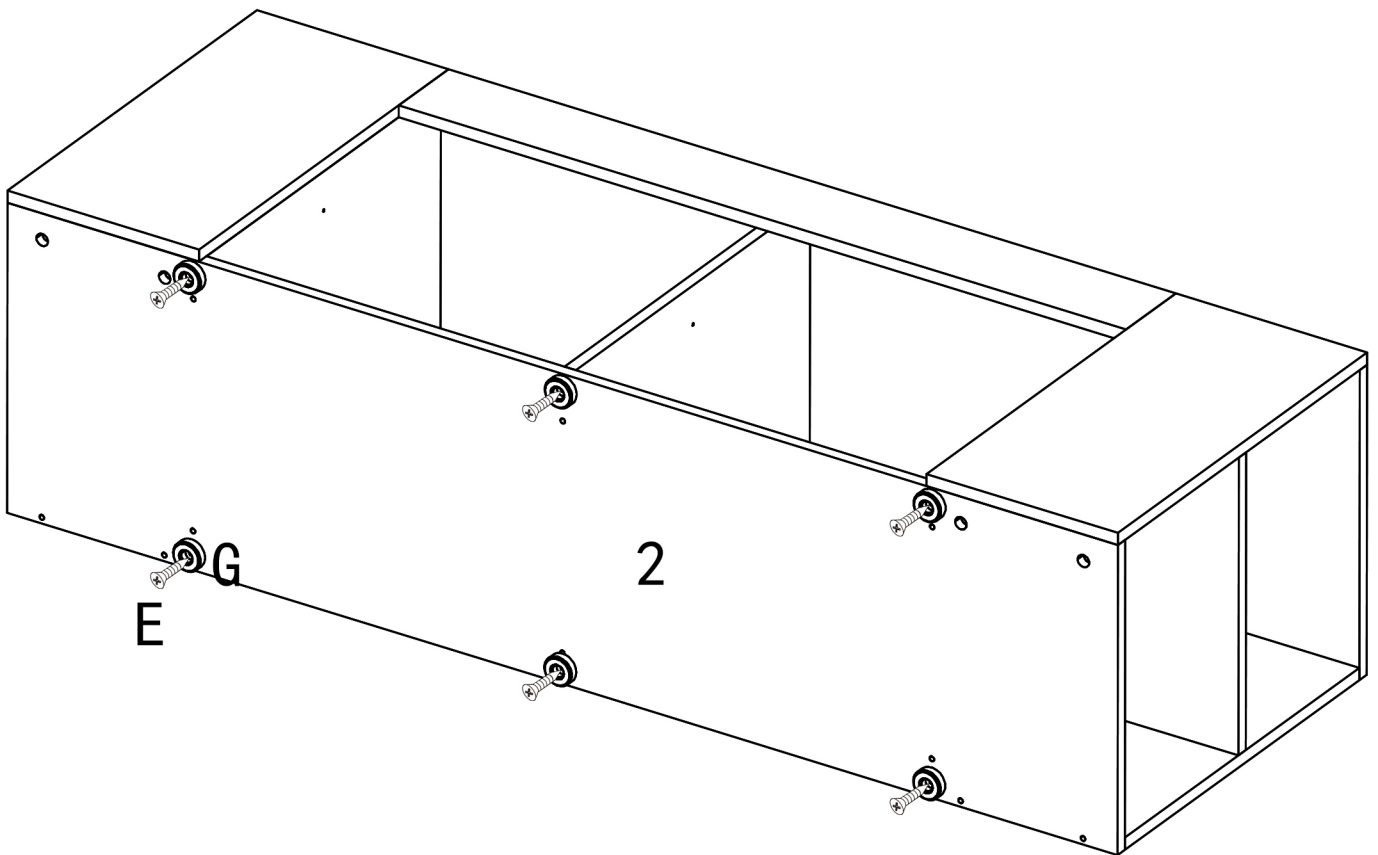
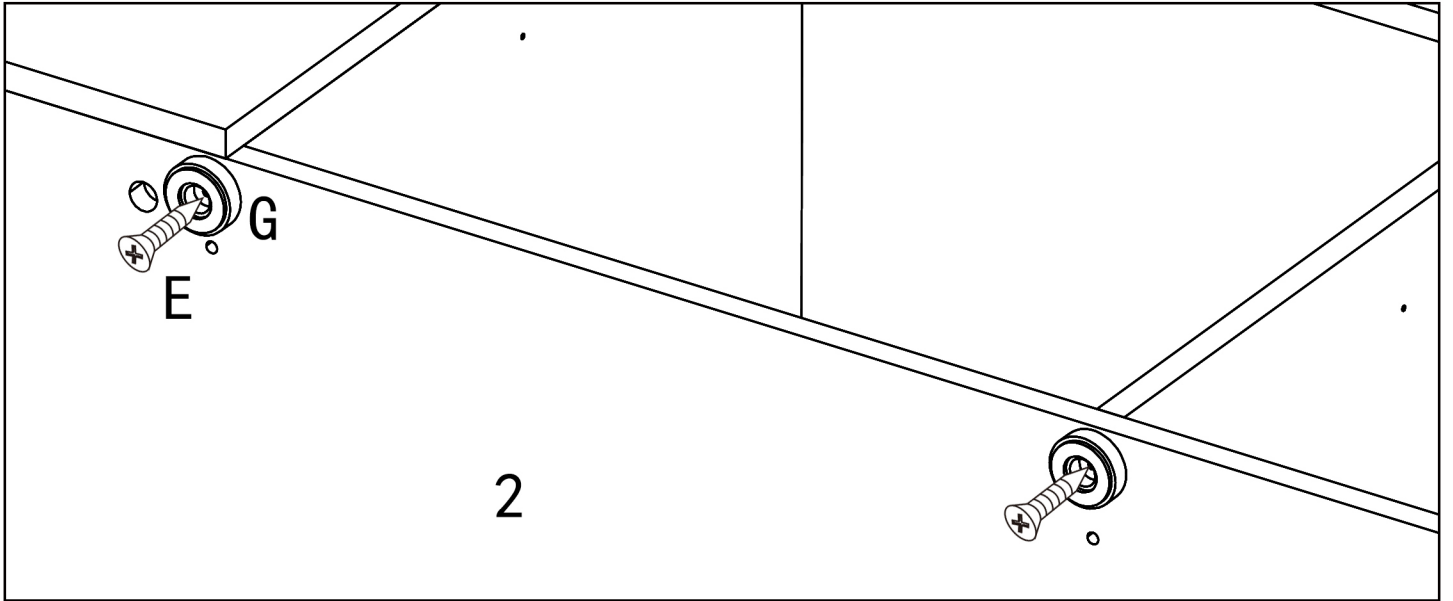
Ax10 Bx10 Dx4

# Step 5

When installing accessories A and B, please refer to the installation method of the same accessories in step 2

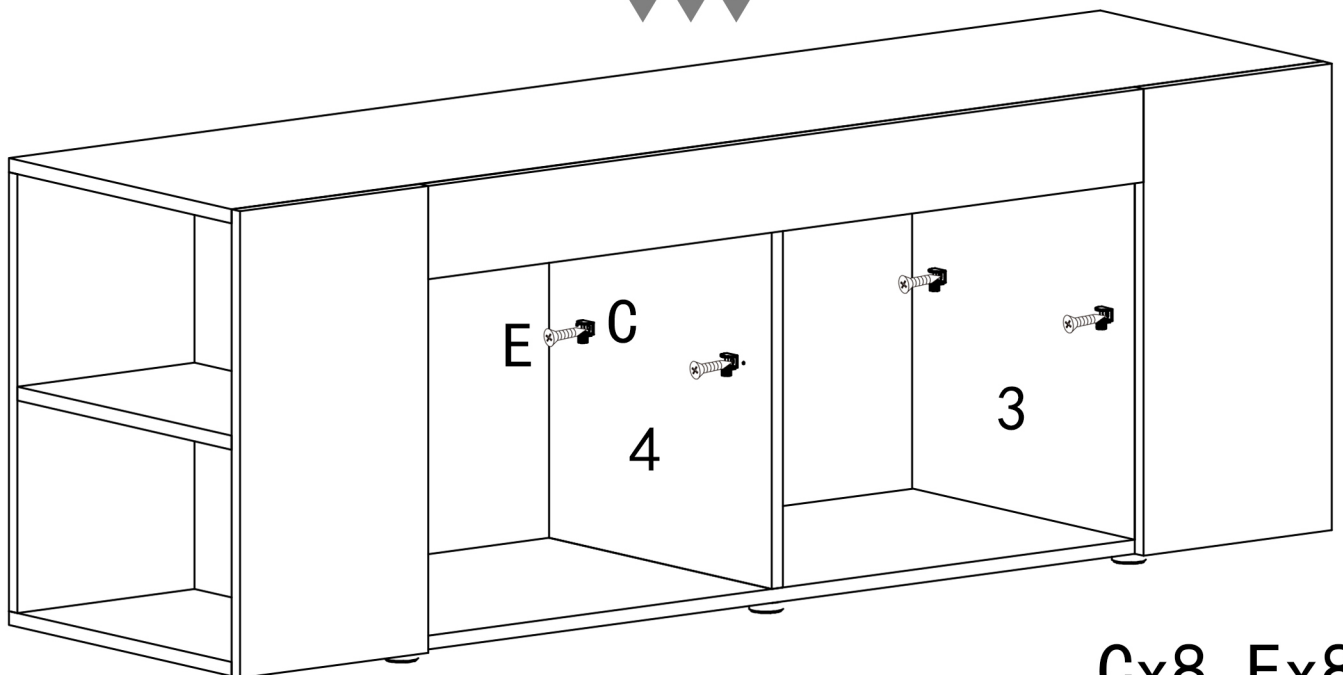
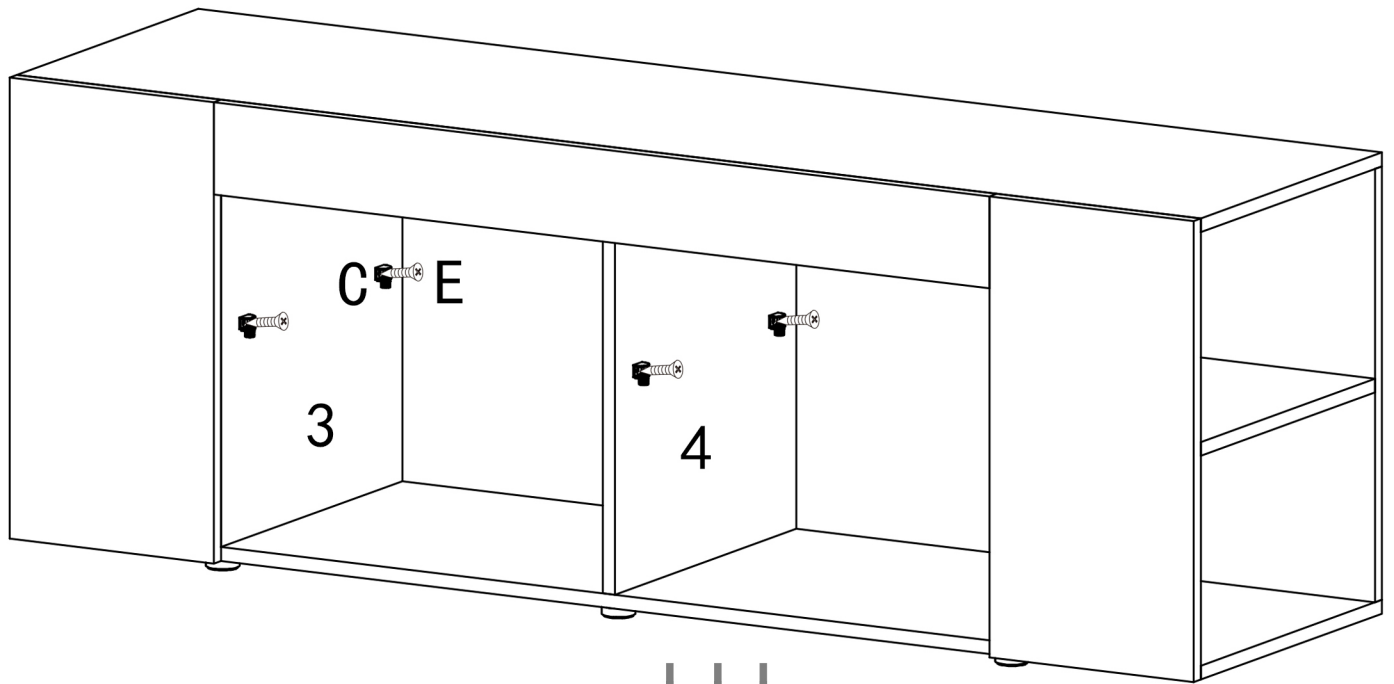
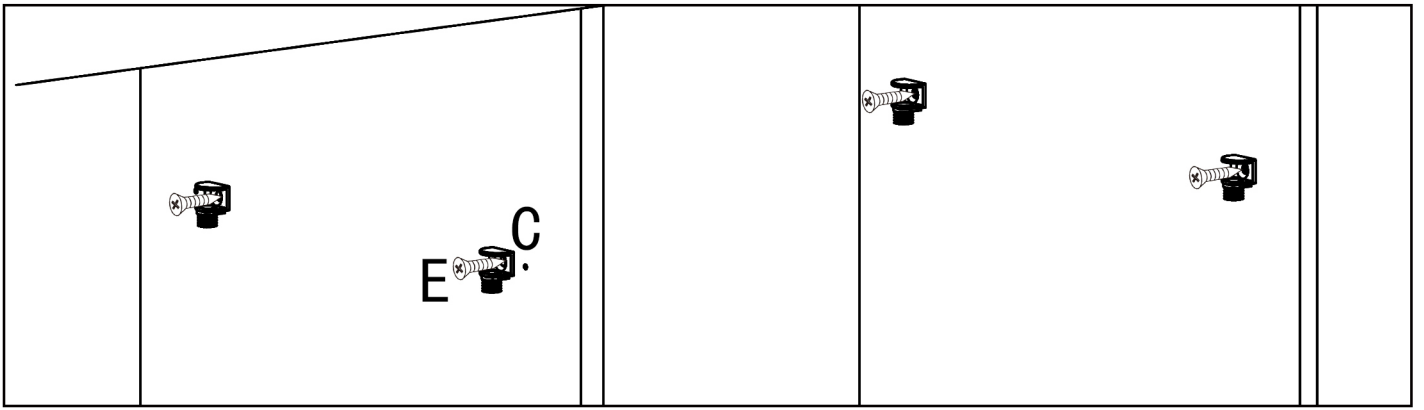


# Step 6



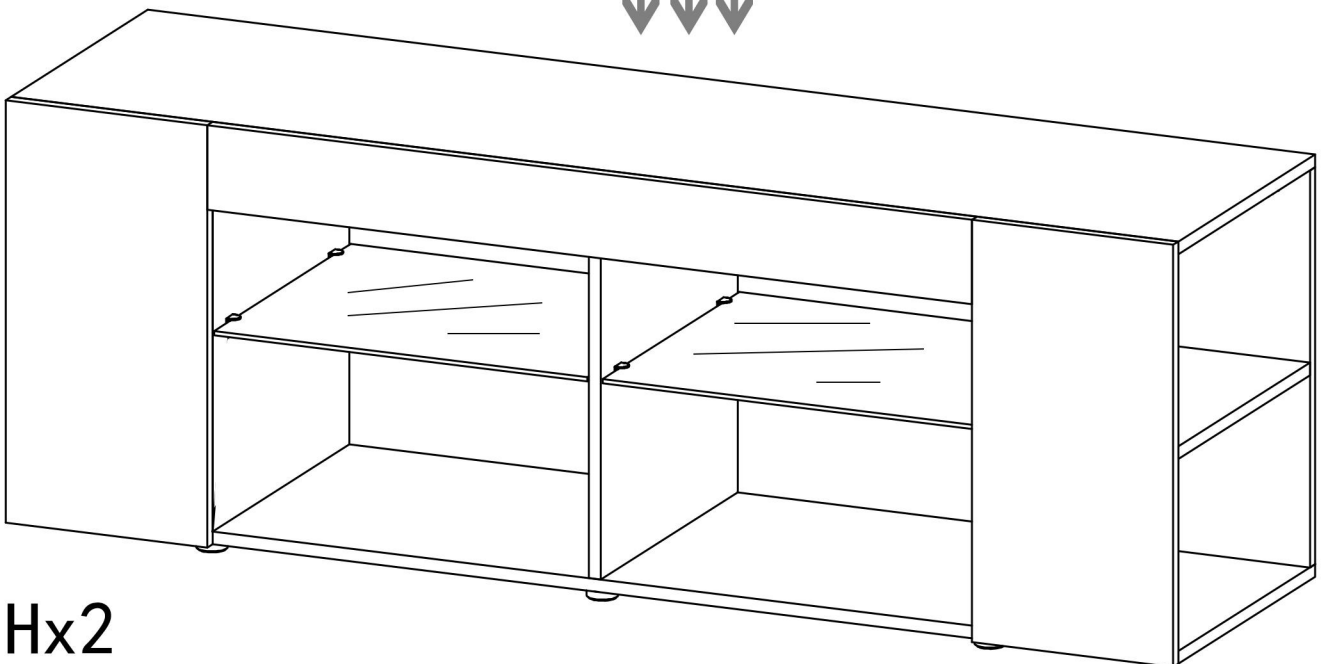
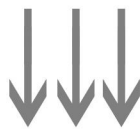
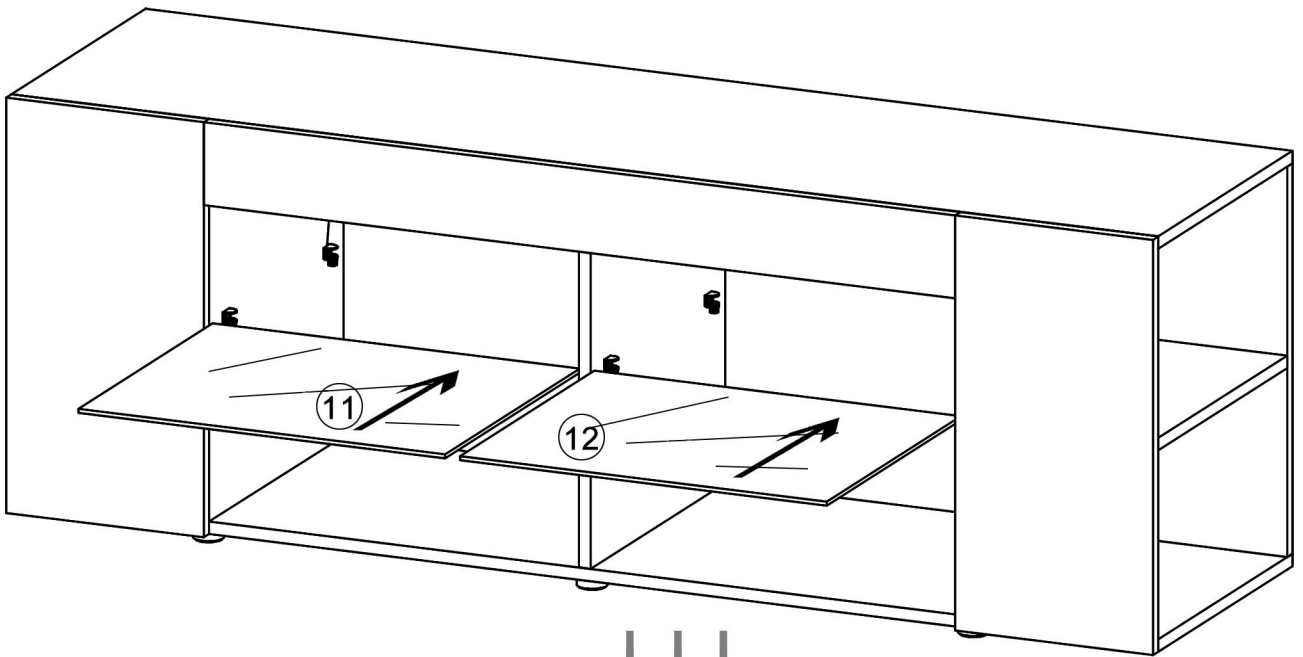
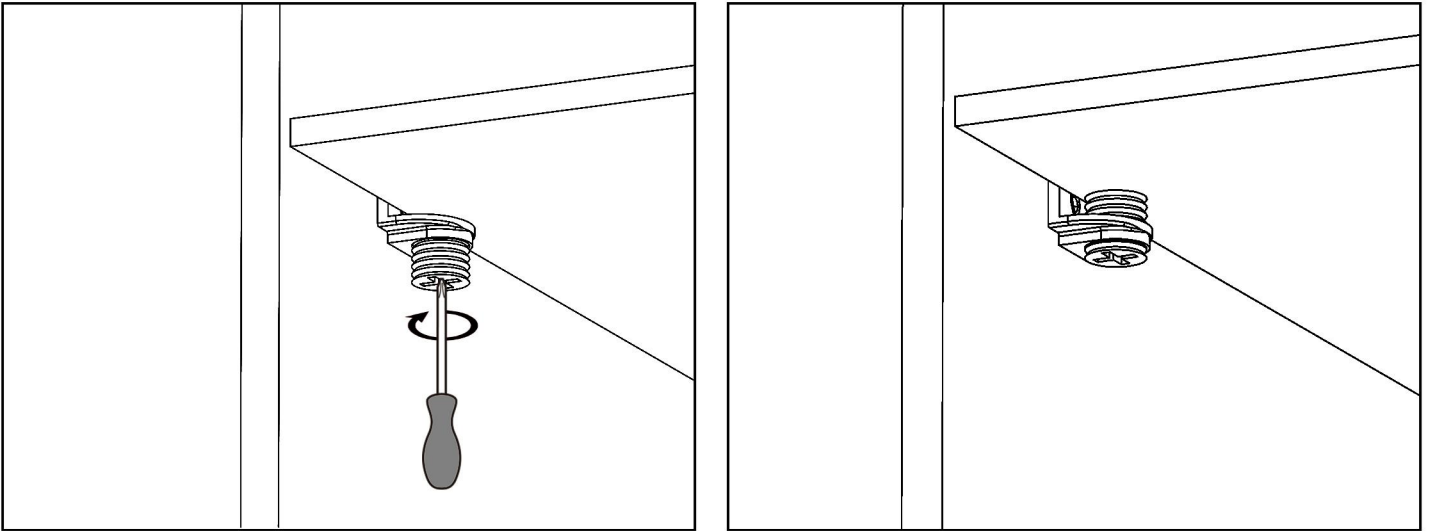
Ex6 Gx6

# Step 7



Cx8 Ex8

# Step 8



Hx2