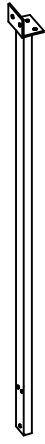
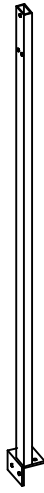




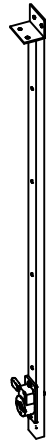
Ax4



Bx1



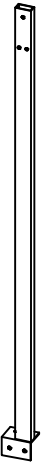
Cx1



Dx1



Ex1



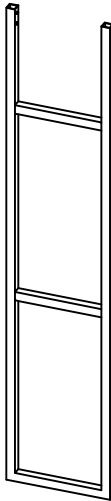
Fx2



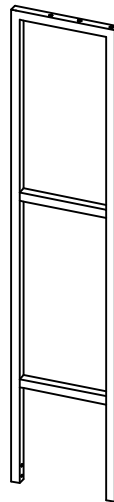
Gx2



Hx2



Ix6



Jx12



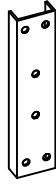
Kx1



Lx8



Mx18



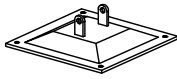
Nx4



Ox17



Px8

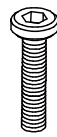


Qx4



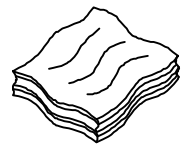
M6x12mm

Rx188

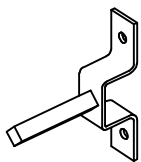


M6x25mm

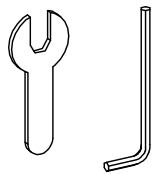
Sx29



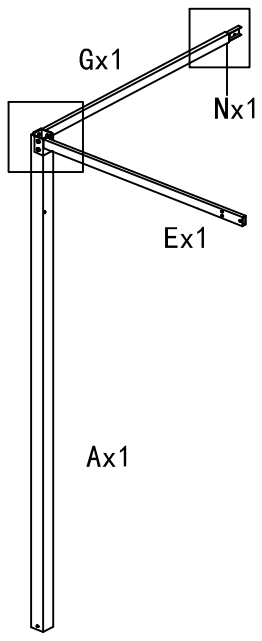
Vx9



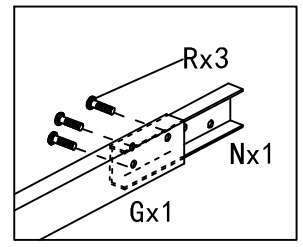
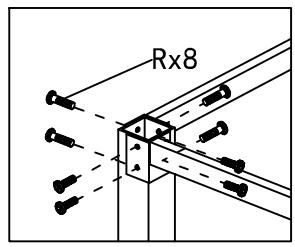
Tx1



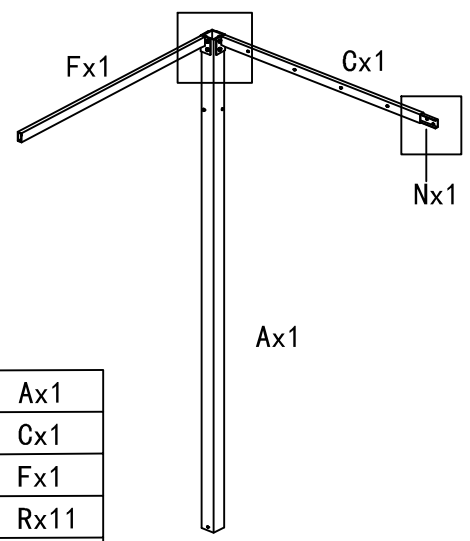
1



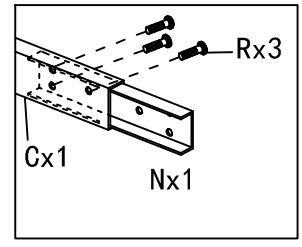
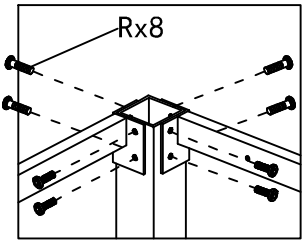
Ax1
Ex1
Gx1
Rx11
Nx1



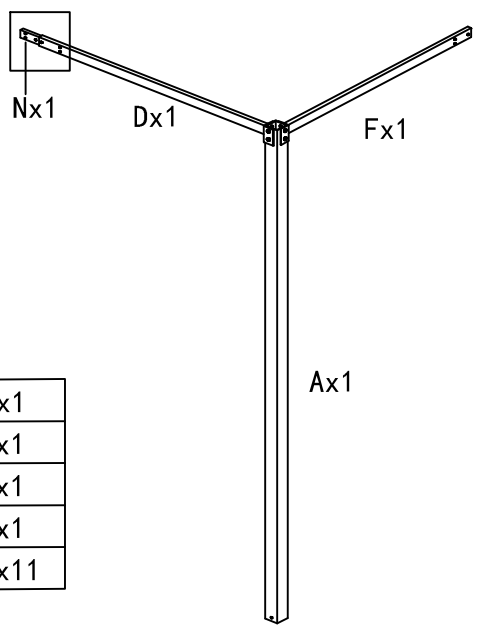
2



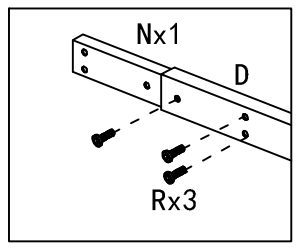
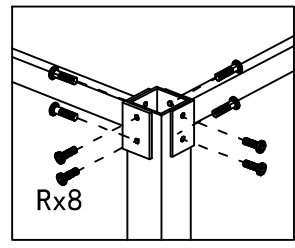
Ax1
Cx1
Fx1
Rx11
Nx1



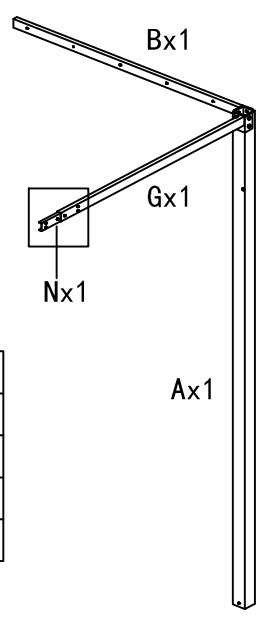
3



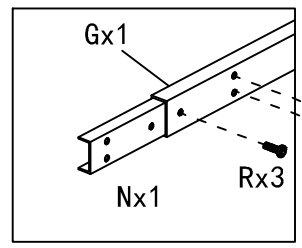
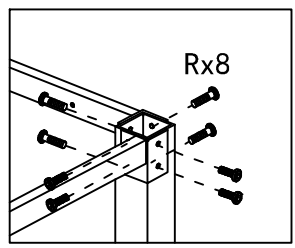
Ax1
Dx1
Fx1
Nx1
Rx11



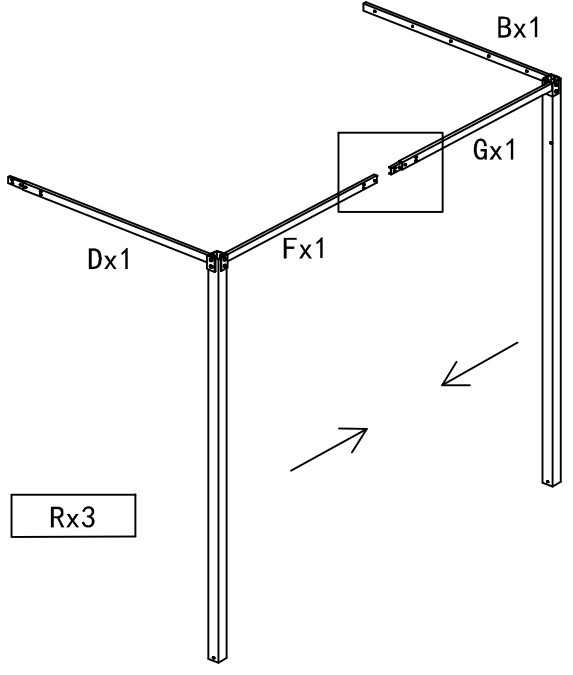
4



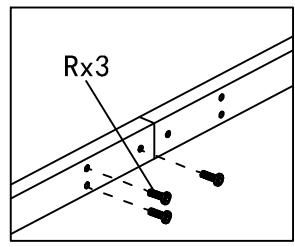
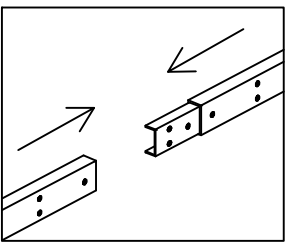
Ax1
Bx1
Gx1
Nx1
Rx11



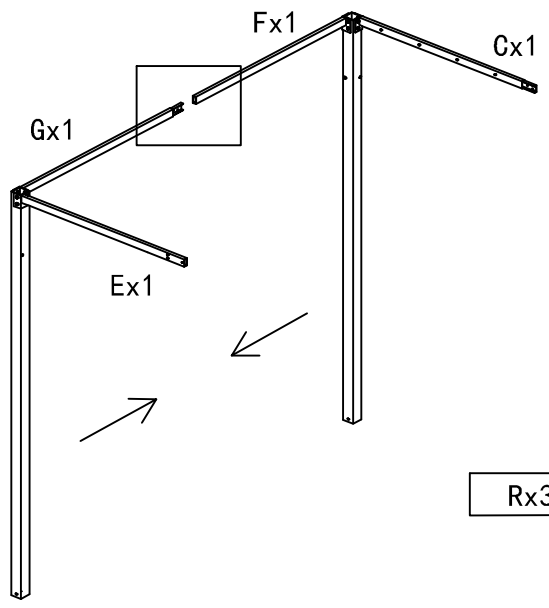
5



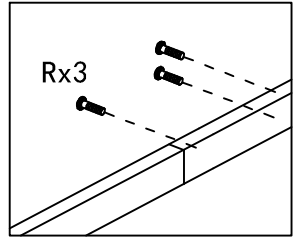
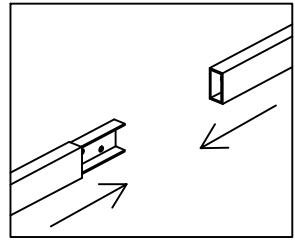
Rx3



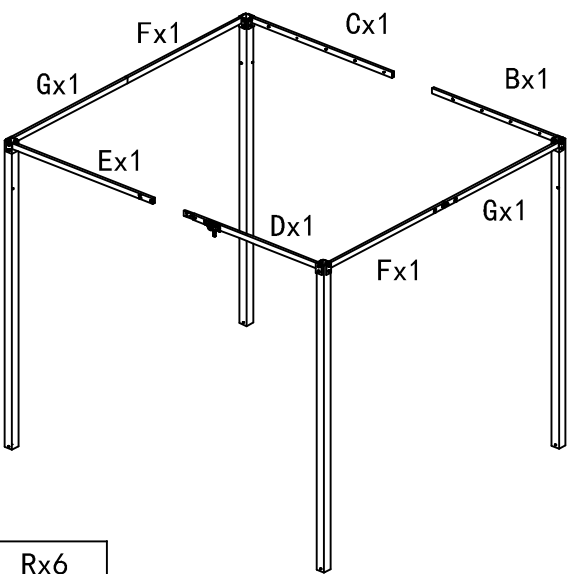
6



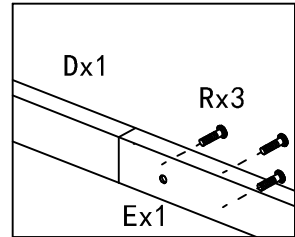
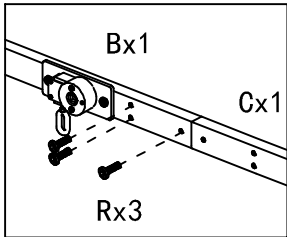
Rx3



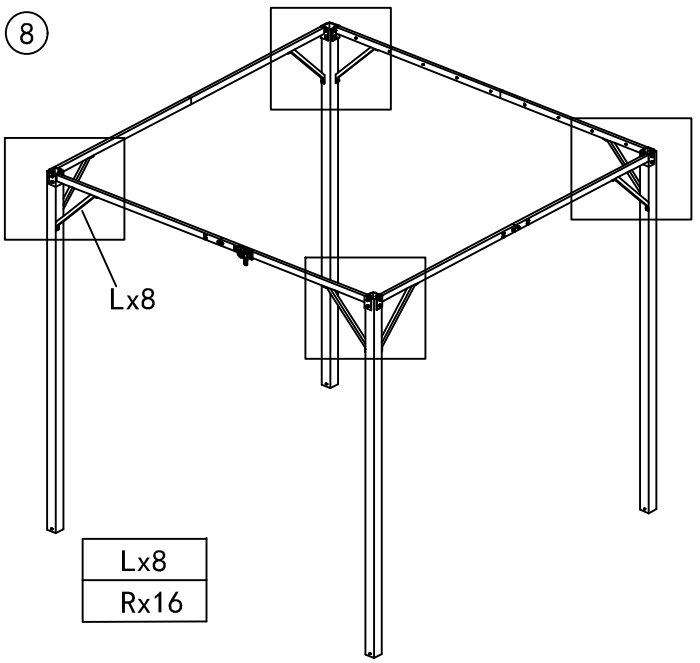
7



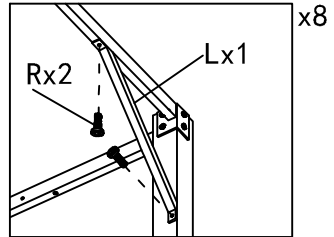
Rx6



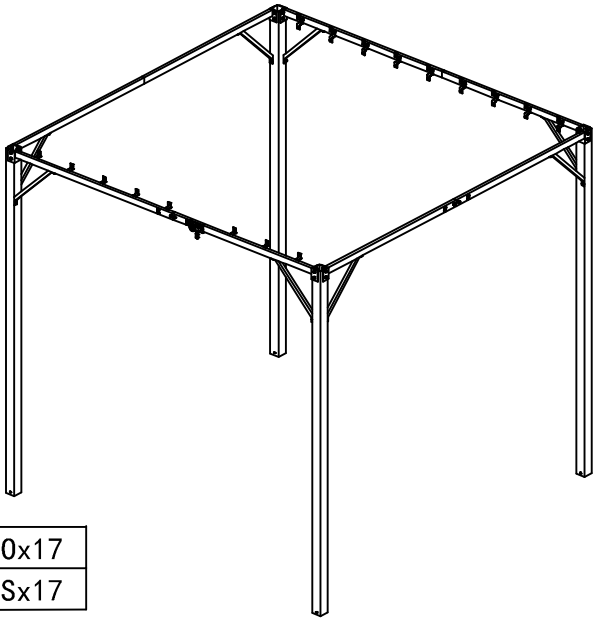
8



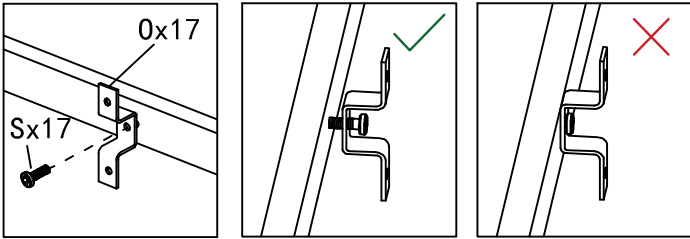
Lx8
Rx16



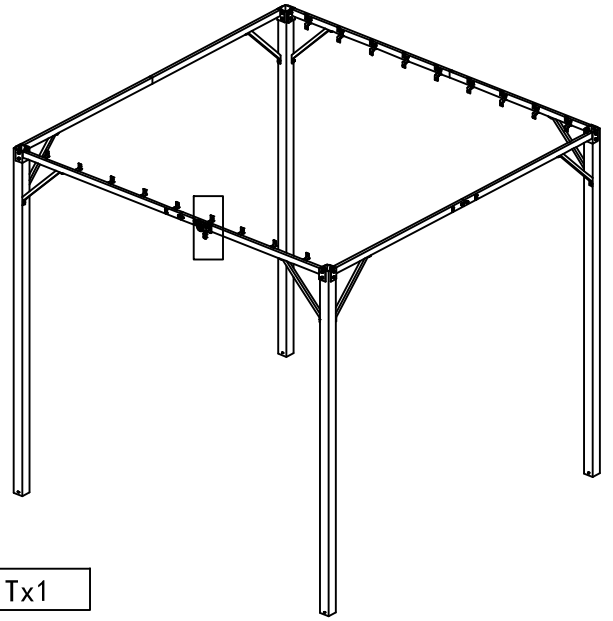
9



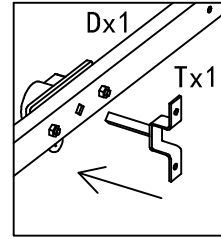
0x17
Sx17



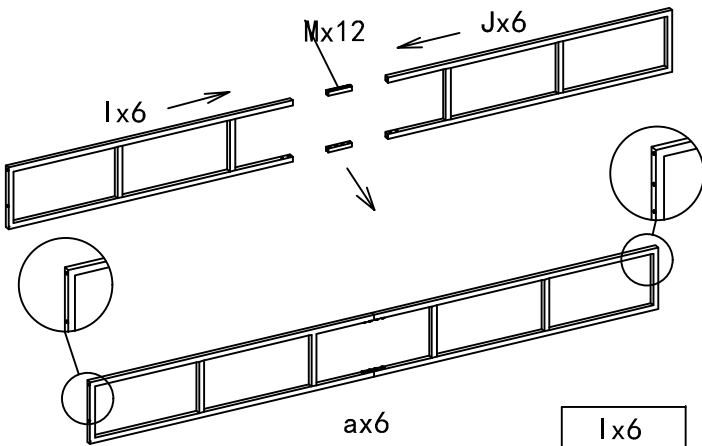
10



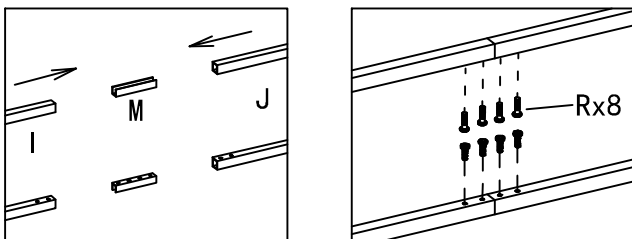
Tx1



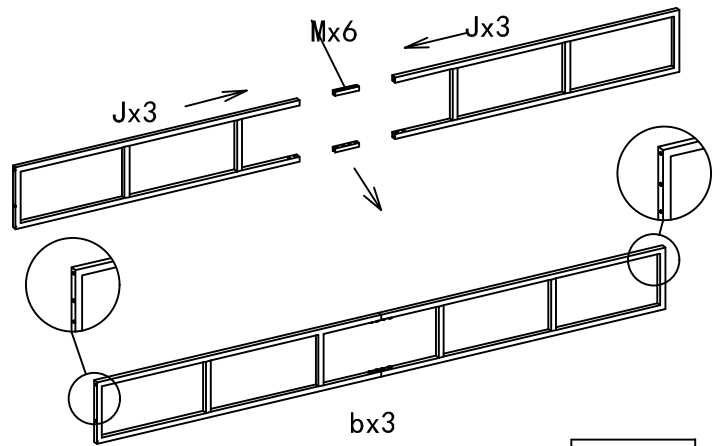
11



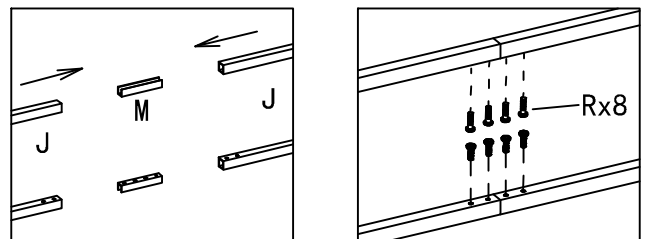
Ix6
Jx6
Mx12
Rx48



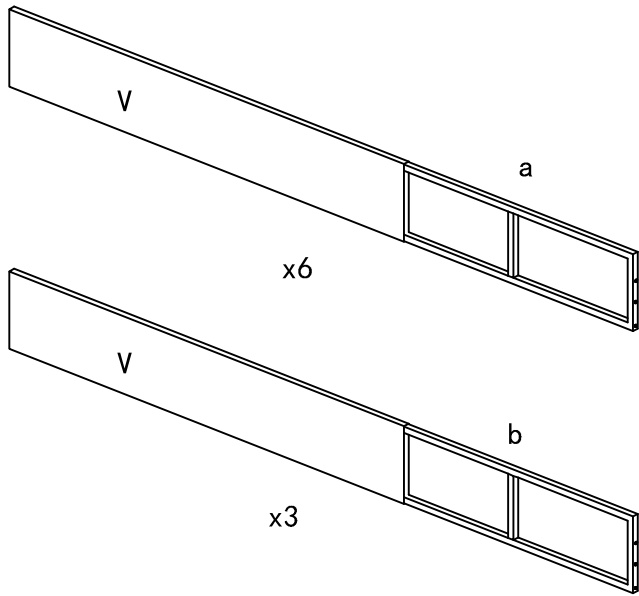
12



Jx6
Mx6
Rx24

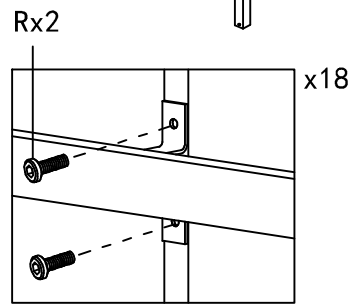
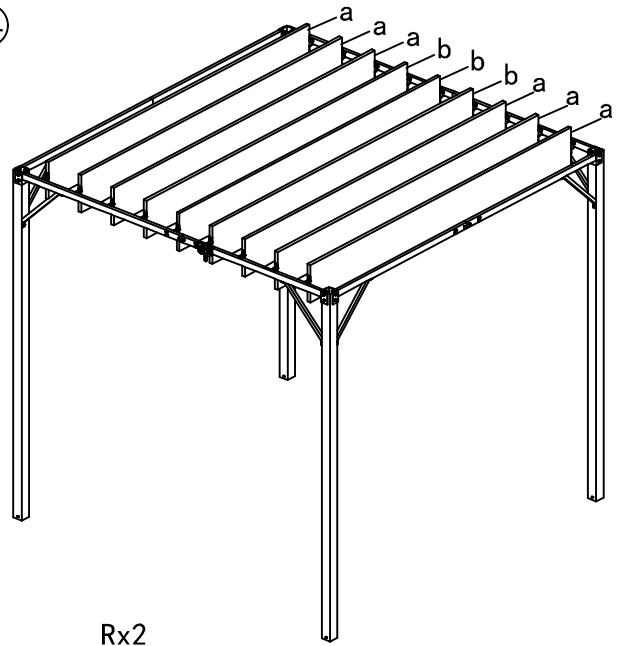


13



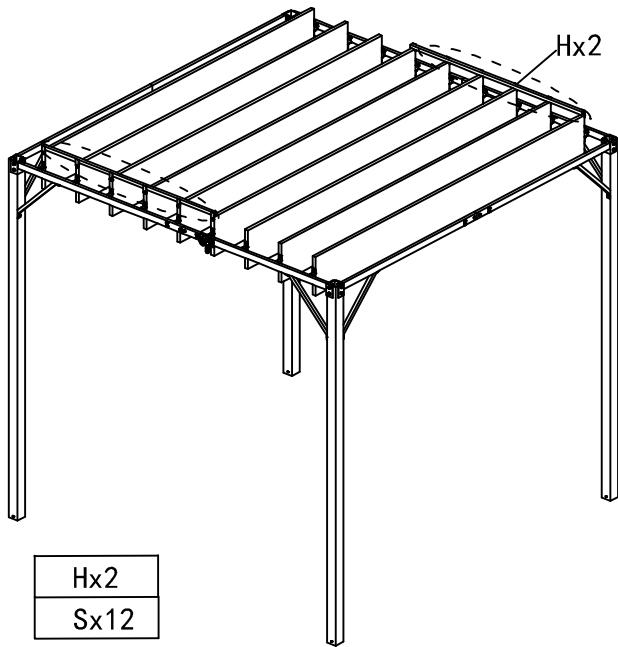
Vx9

14

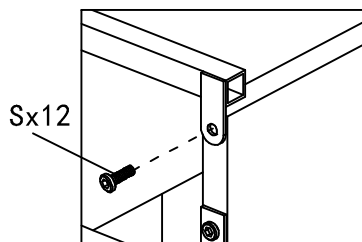


Rx36

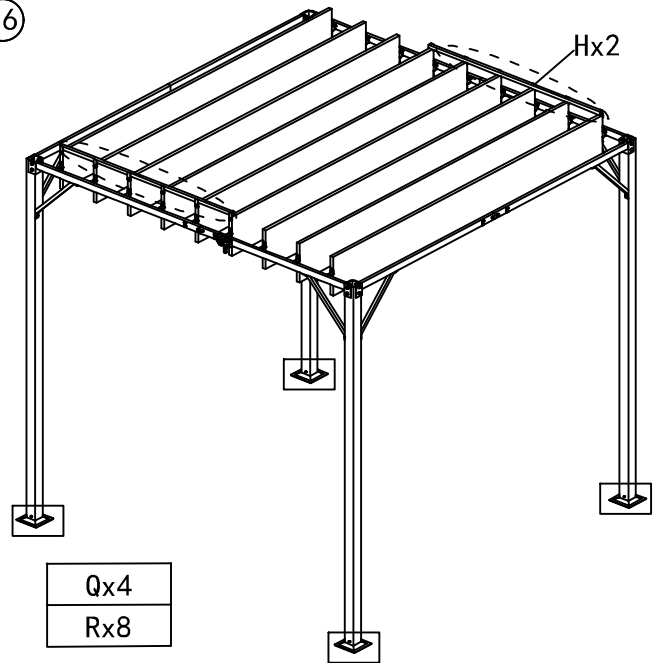
15



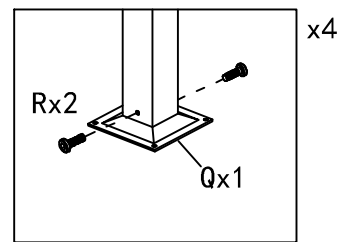
Hx2
Sx12



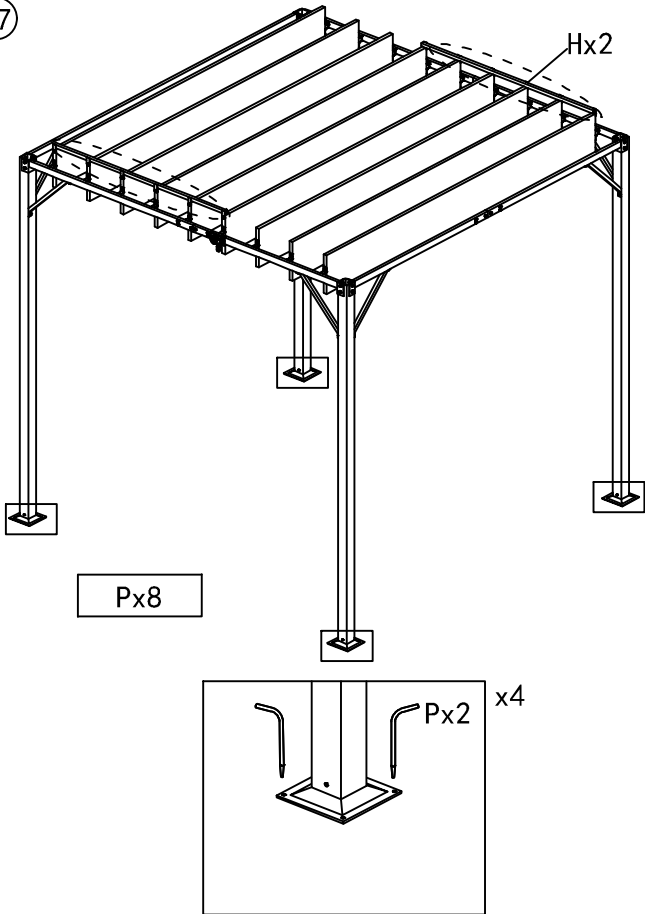
16



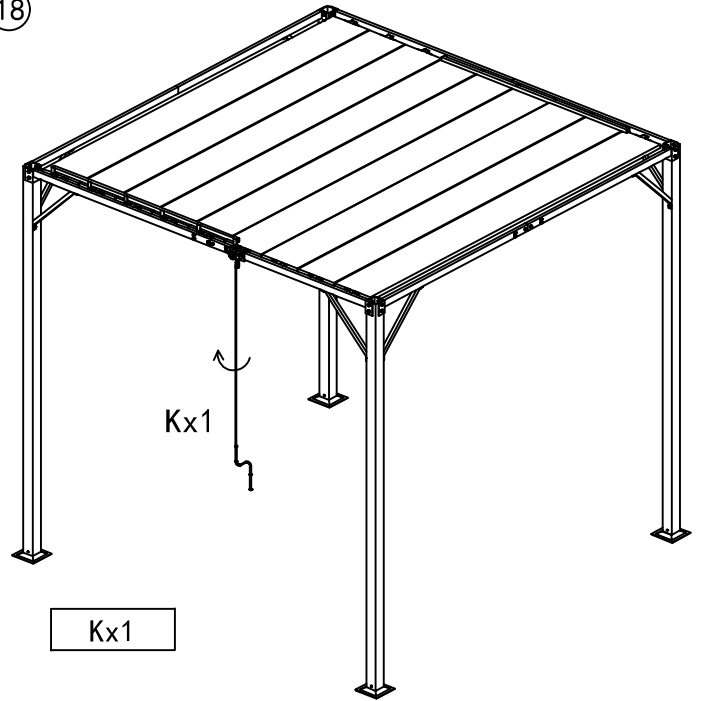
Qx4
Rx8



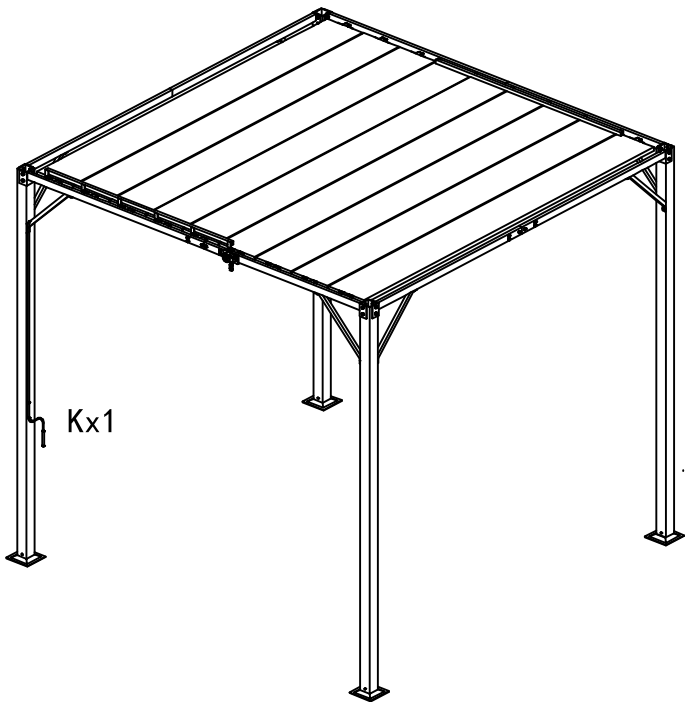
17



18



19



20

