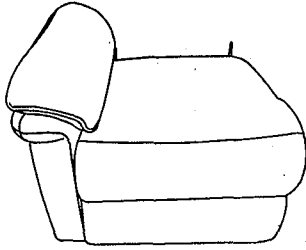
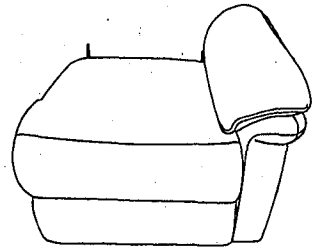


# ASSEMBLY INSTRUCTIONS

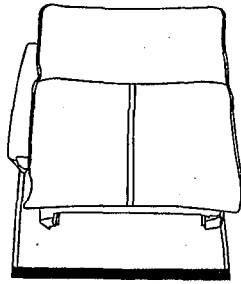
A\*1



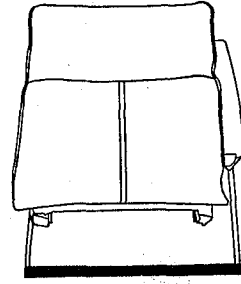
B\*1



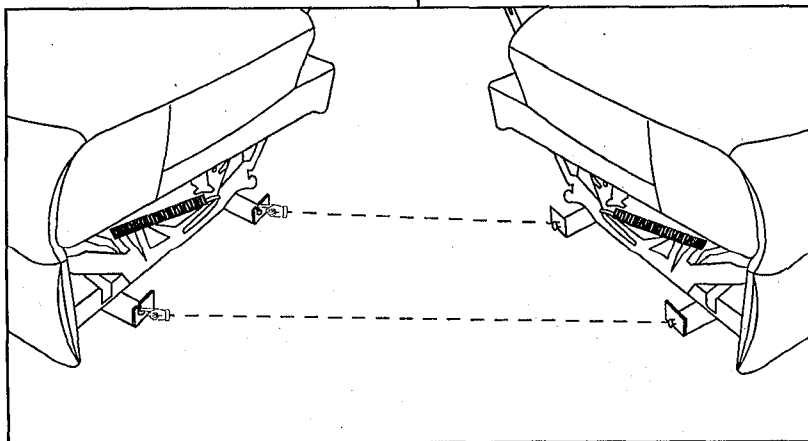
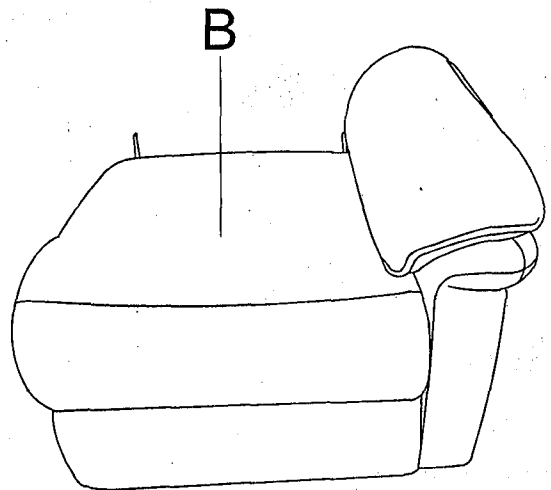
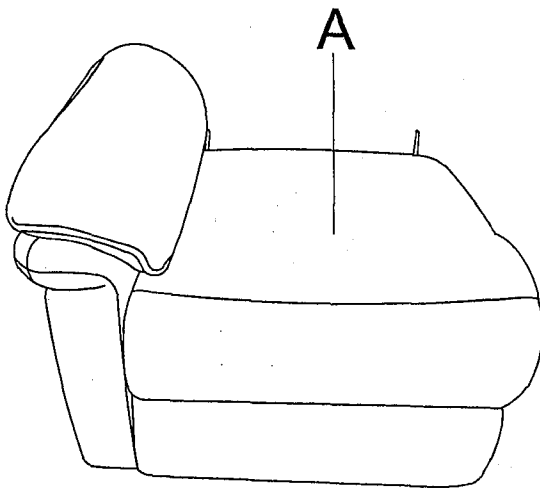
C\*1



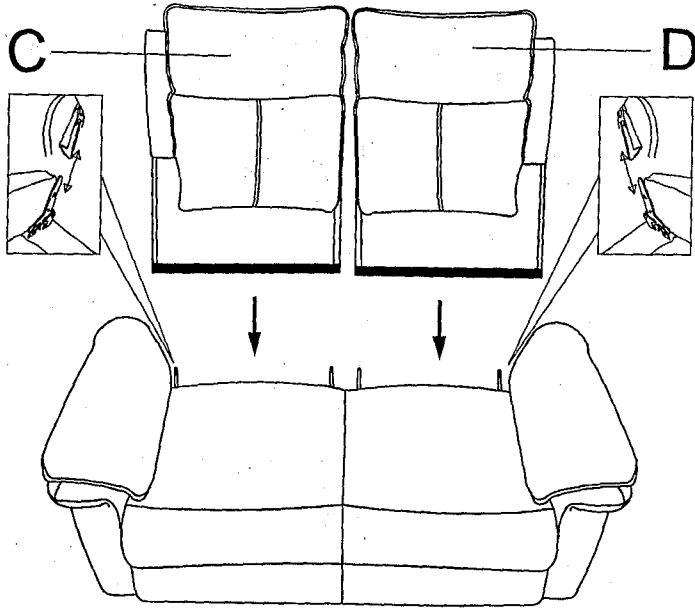
D\*1



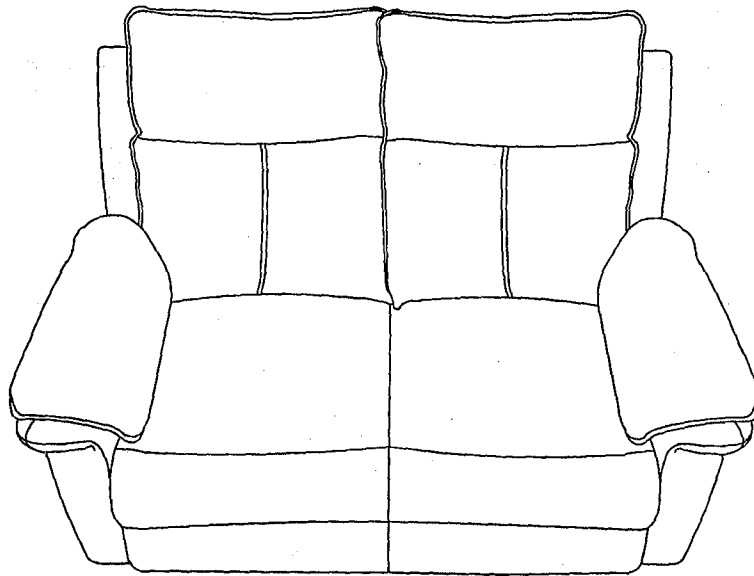
STEP 1:



STEP 2:



STEP 3:



STEP 4:

