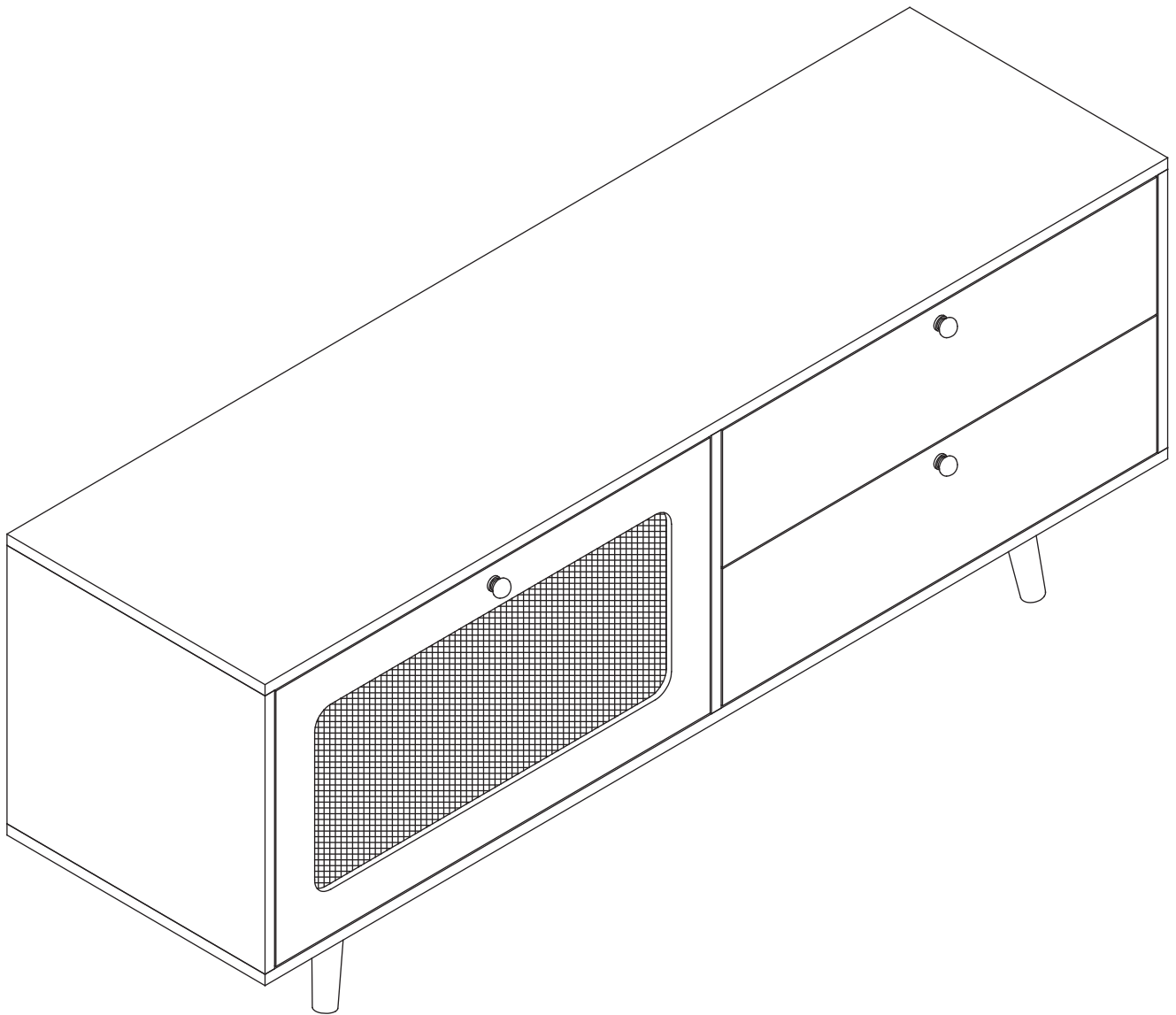
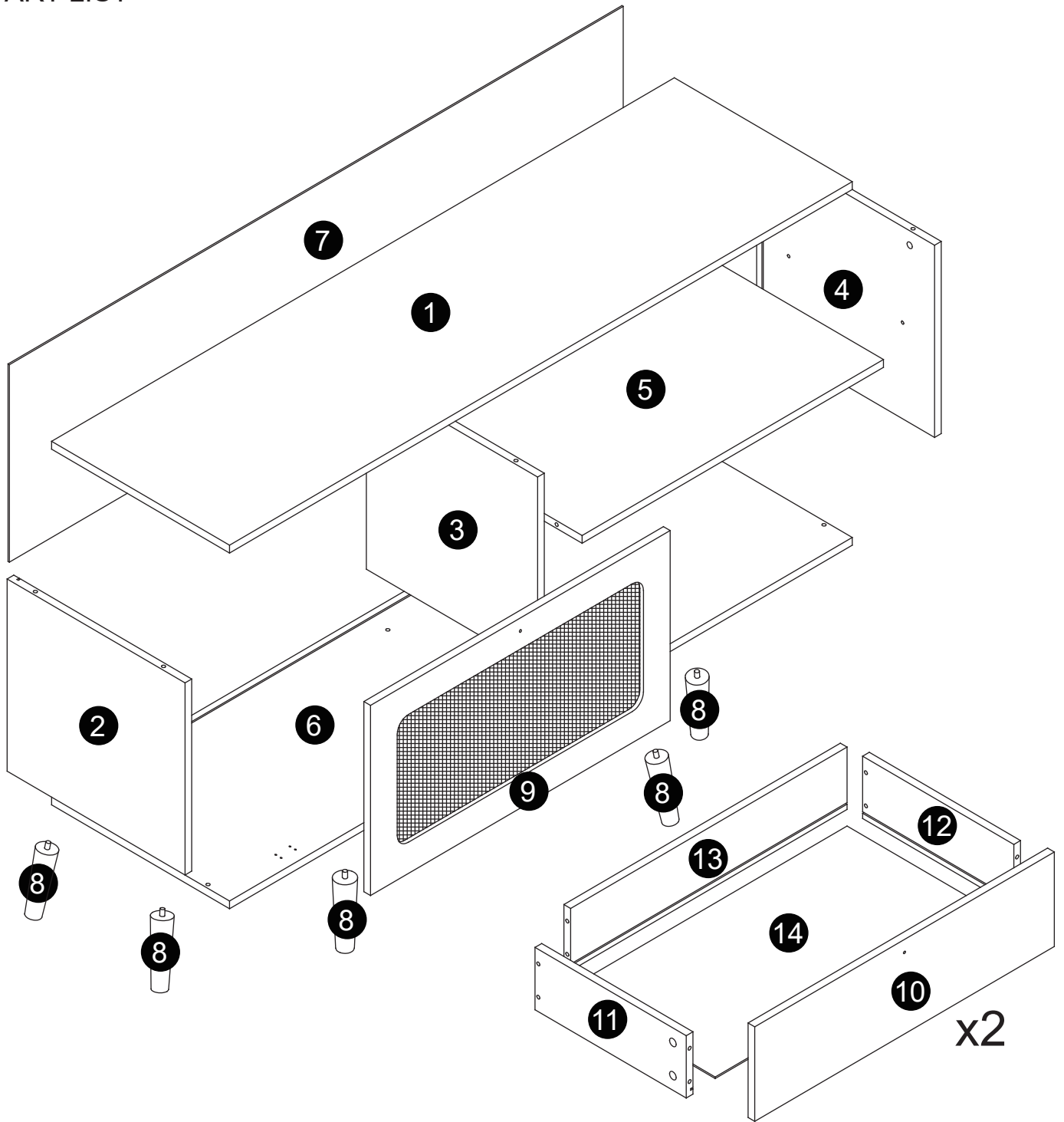


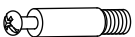

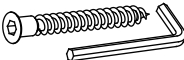


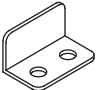


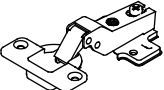


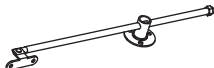
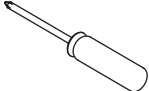
ASSEMBLY INSTRUCTION



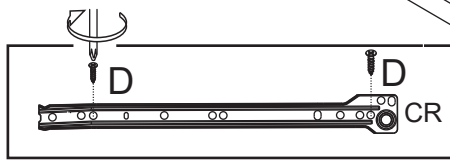
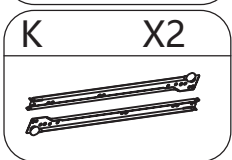
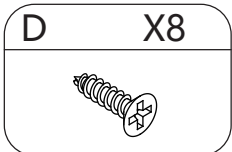
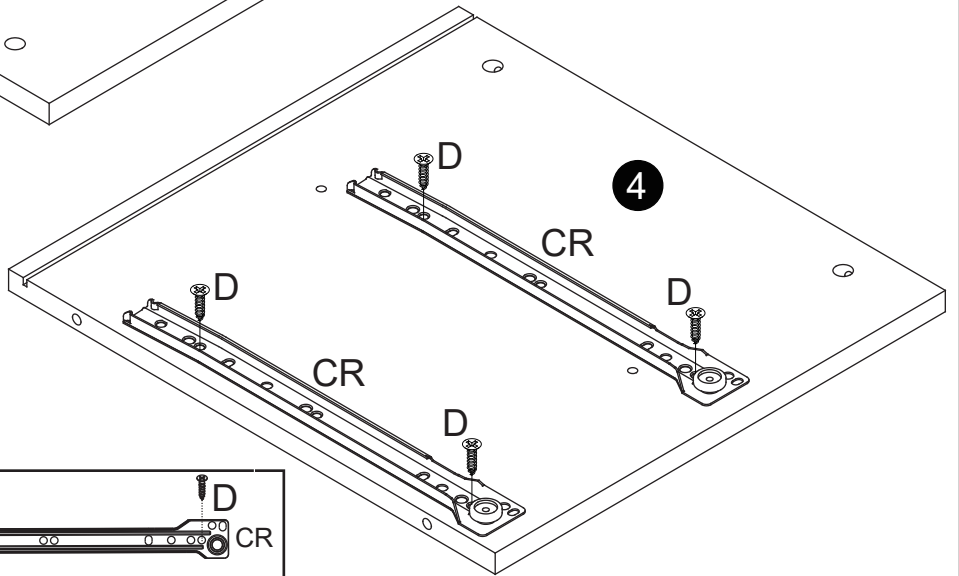
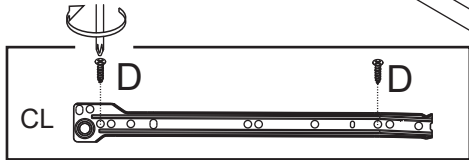
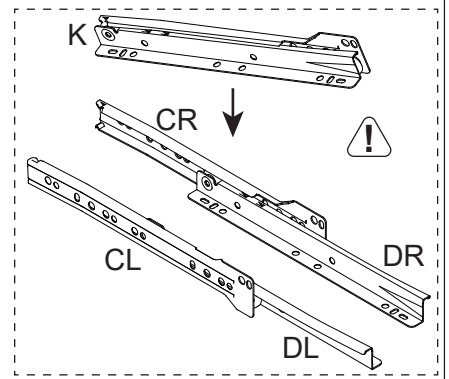
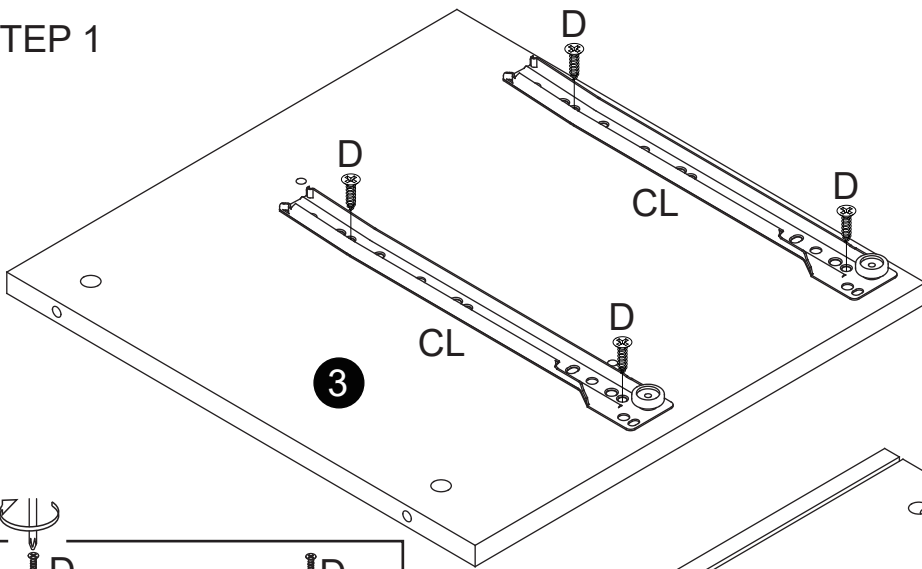
PART LIST



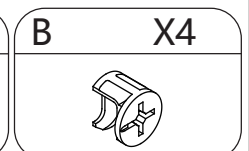
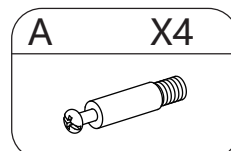
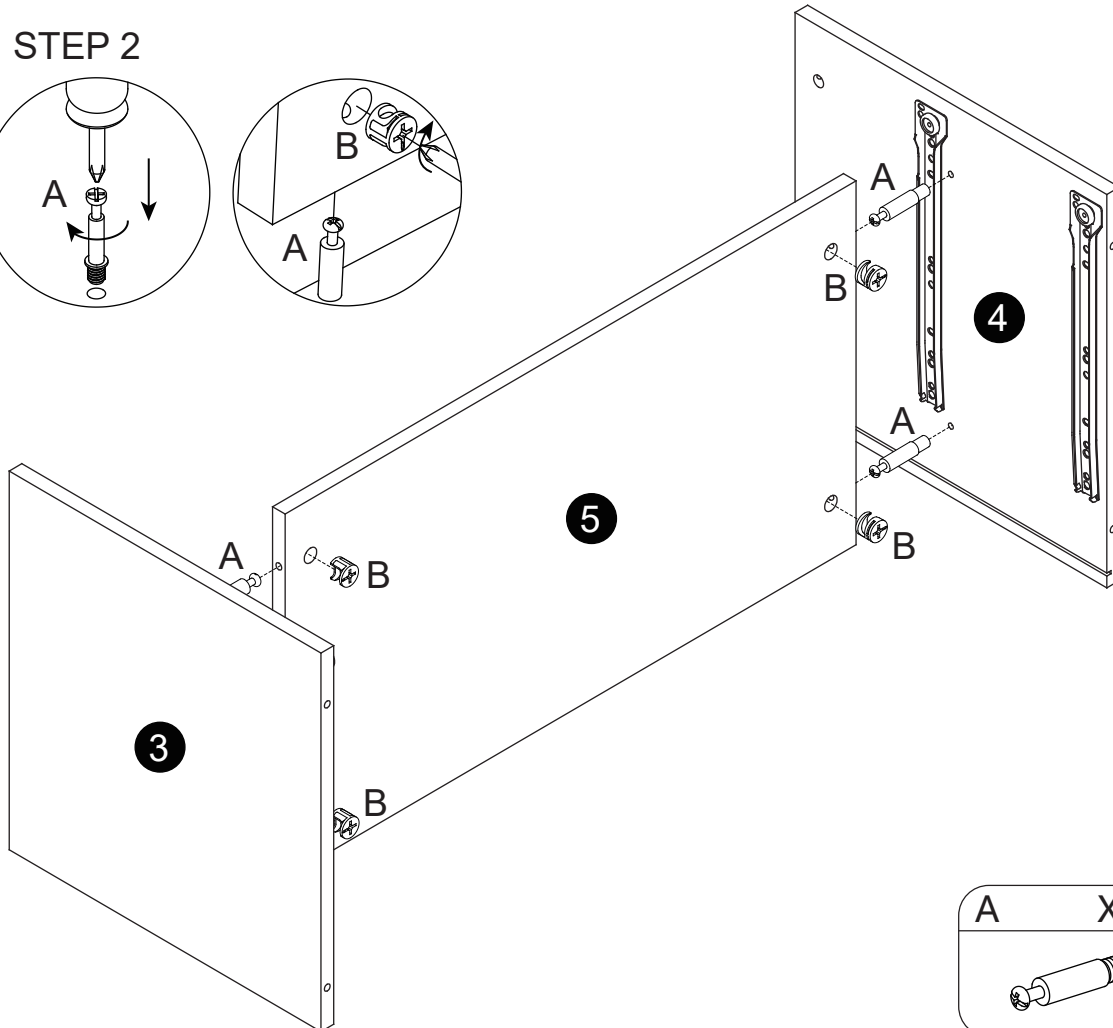
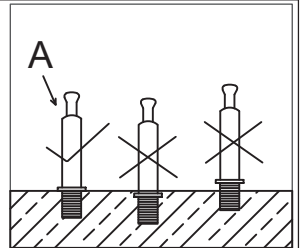
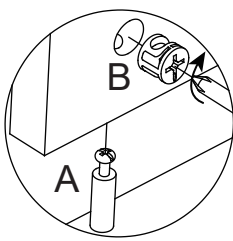
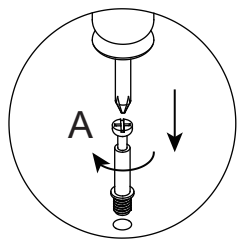
HARDWARE LIST

A X18  M6*40mm	B X18  15*11mm	C X14  M4*40mm	D X69  M3.5*12mm	E X4  60*80mm
F X1 	G X3  M4*18mm	H X10  10*10mm	I X2 	J X1  40*40mm
K X2  12 inch slip	L X1 	M X1 		

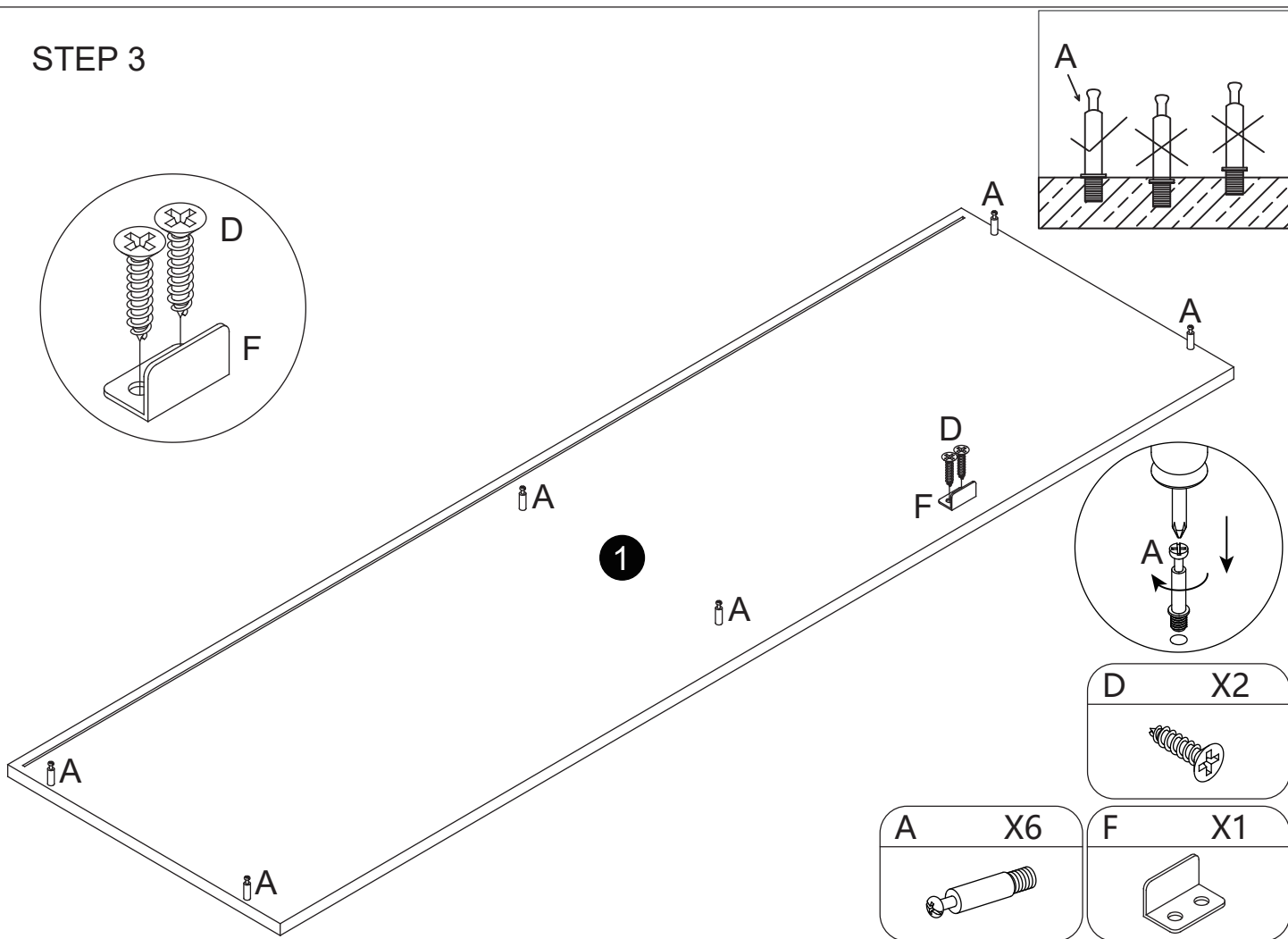
STEP 1



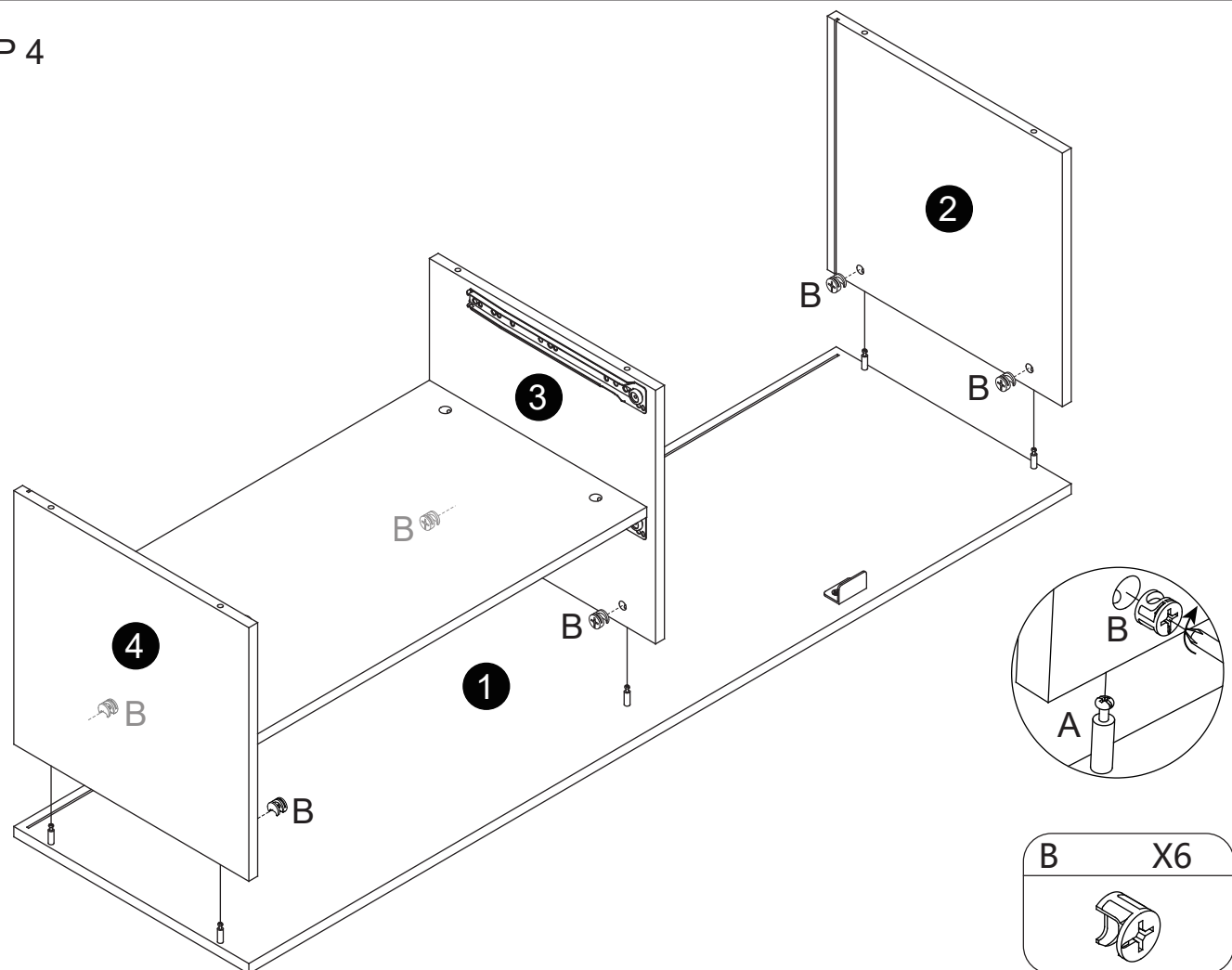
STEP 2



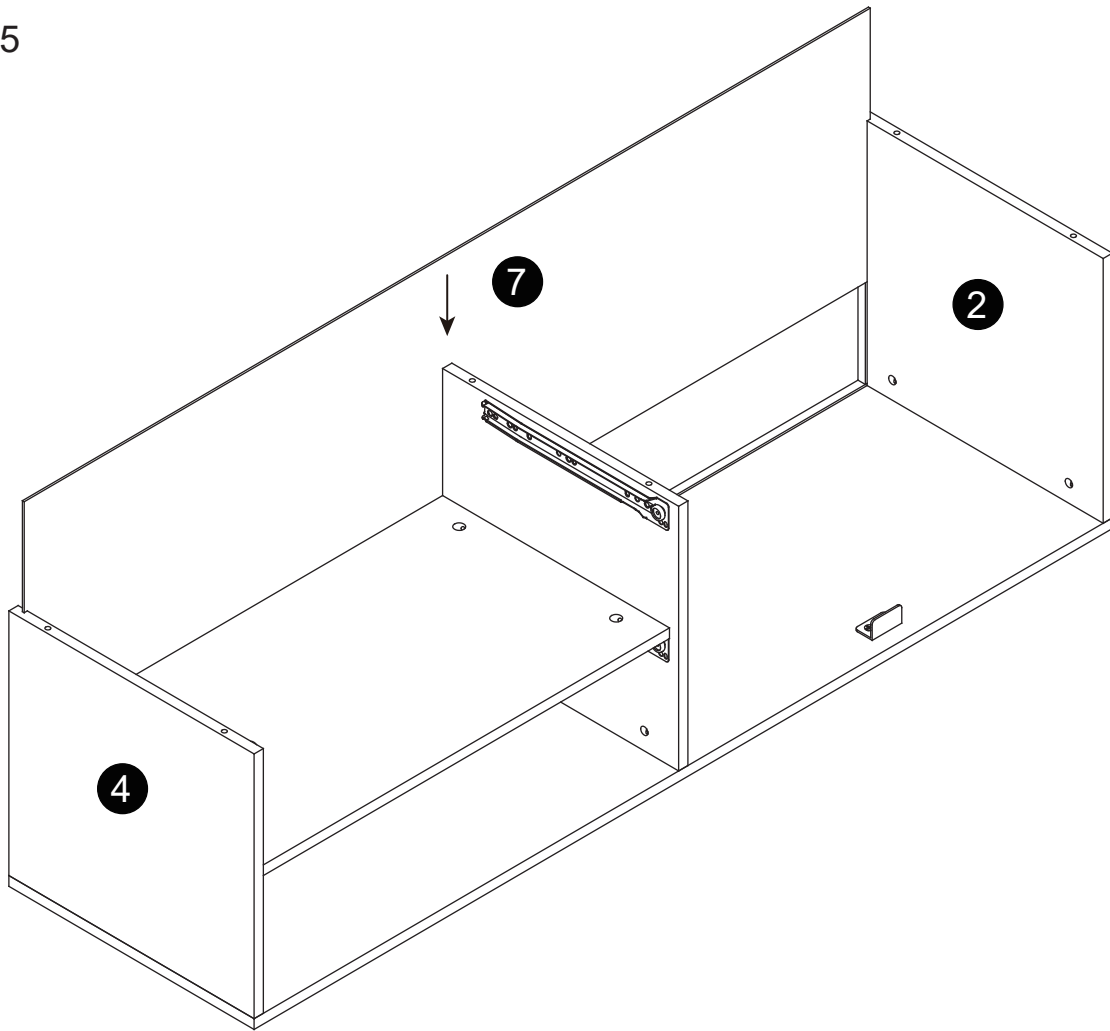
STEP 3



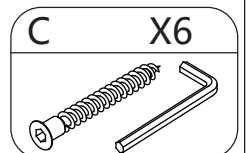
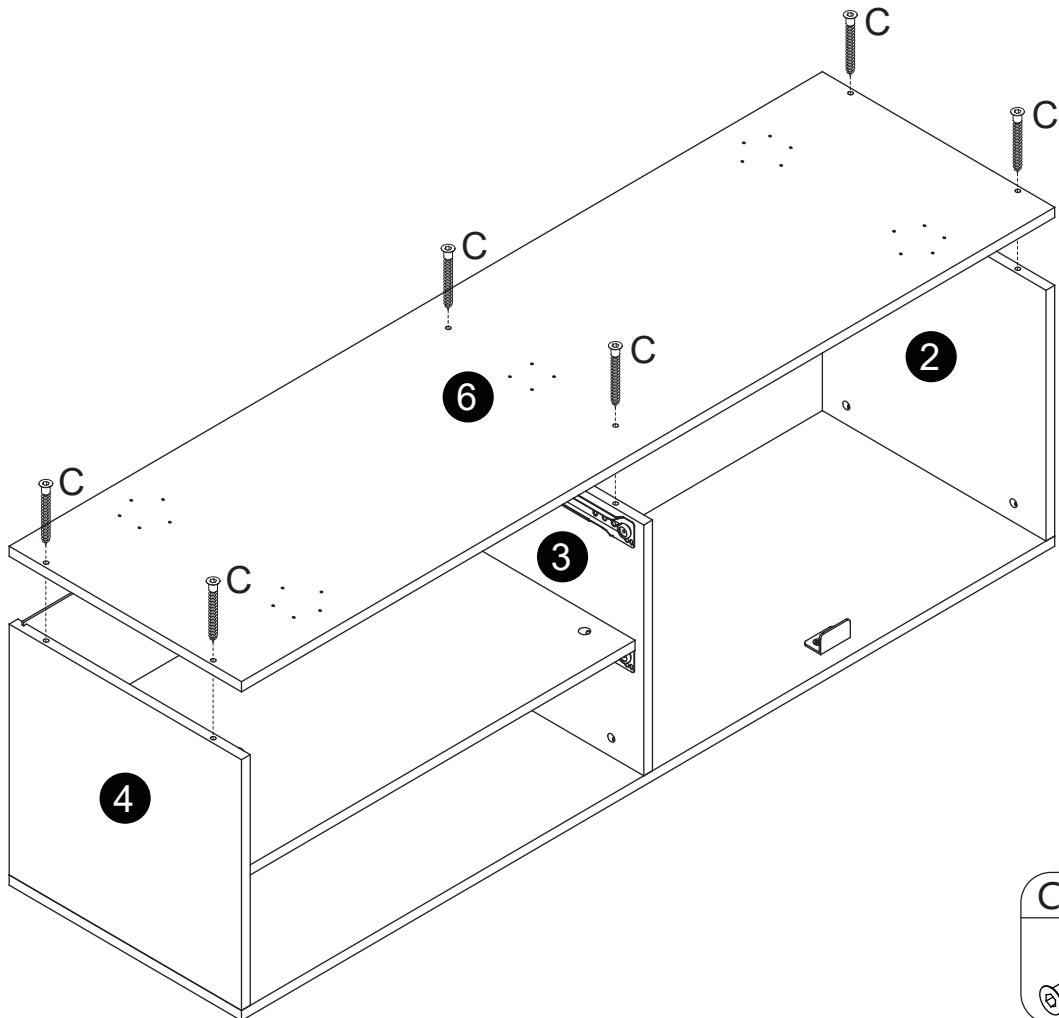
STEP 4



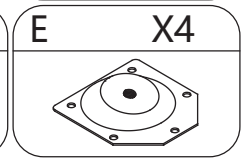
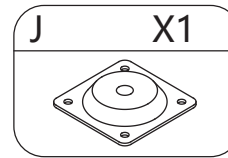
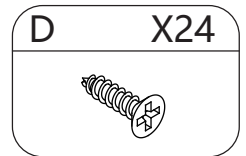
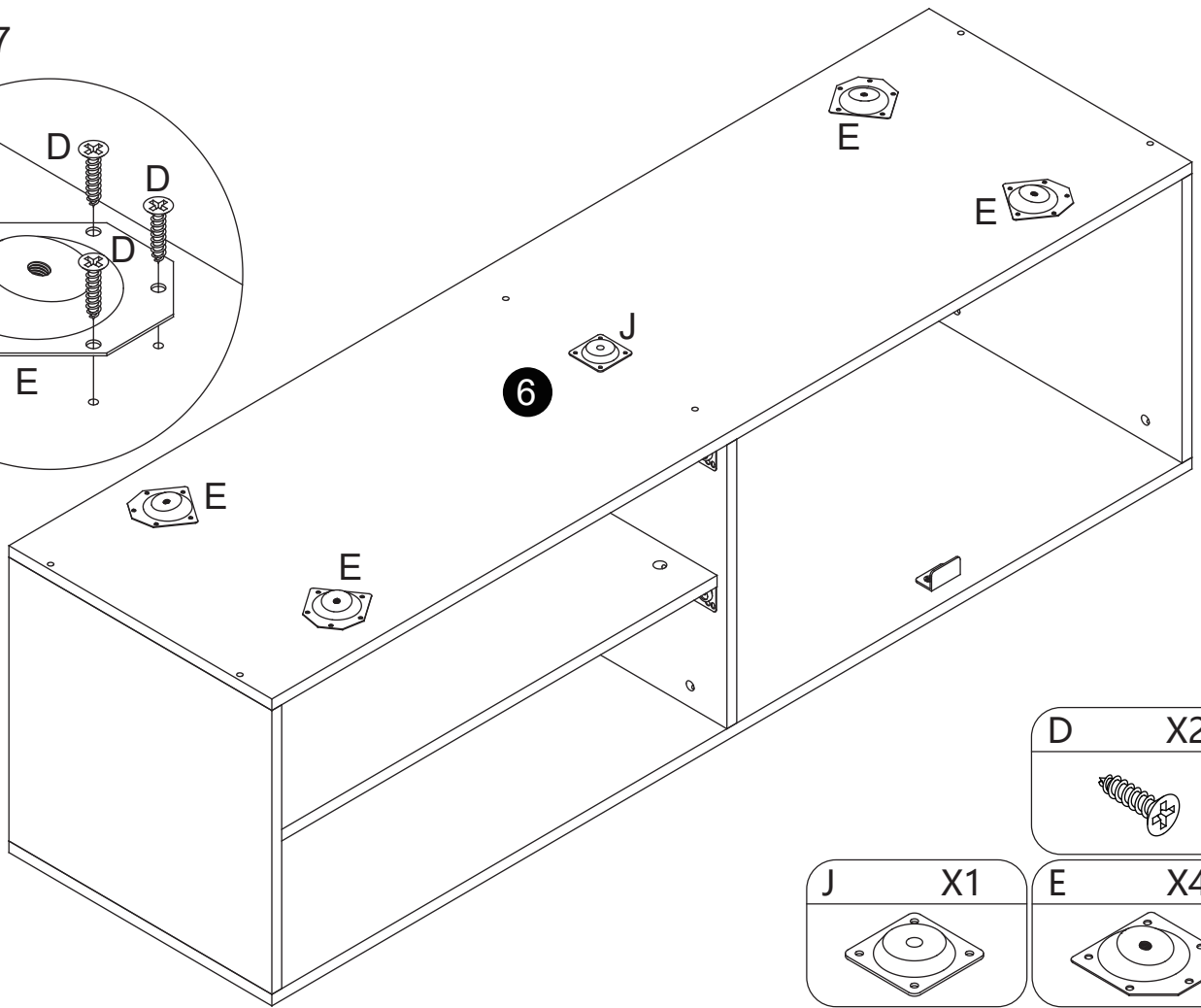
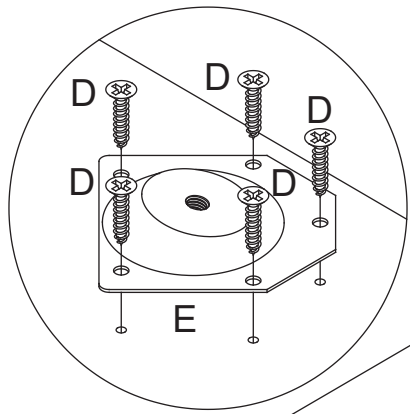
STEP 5



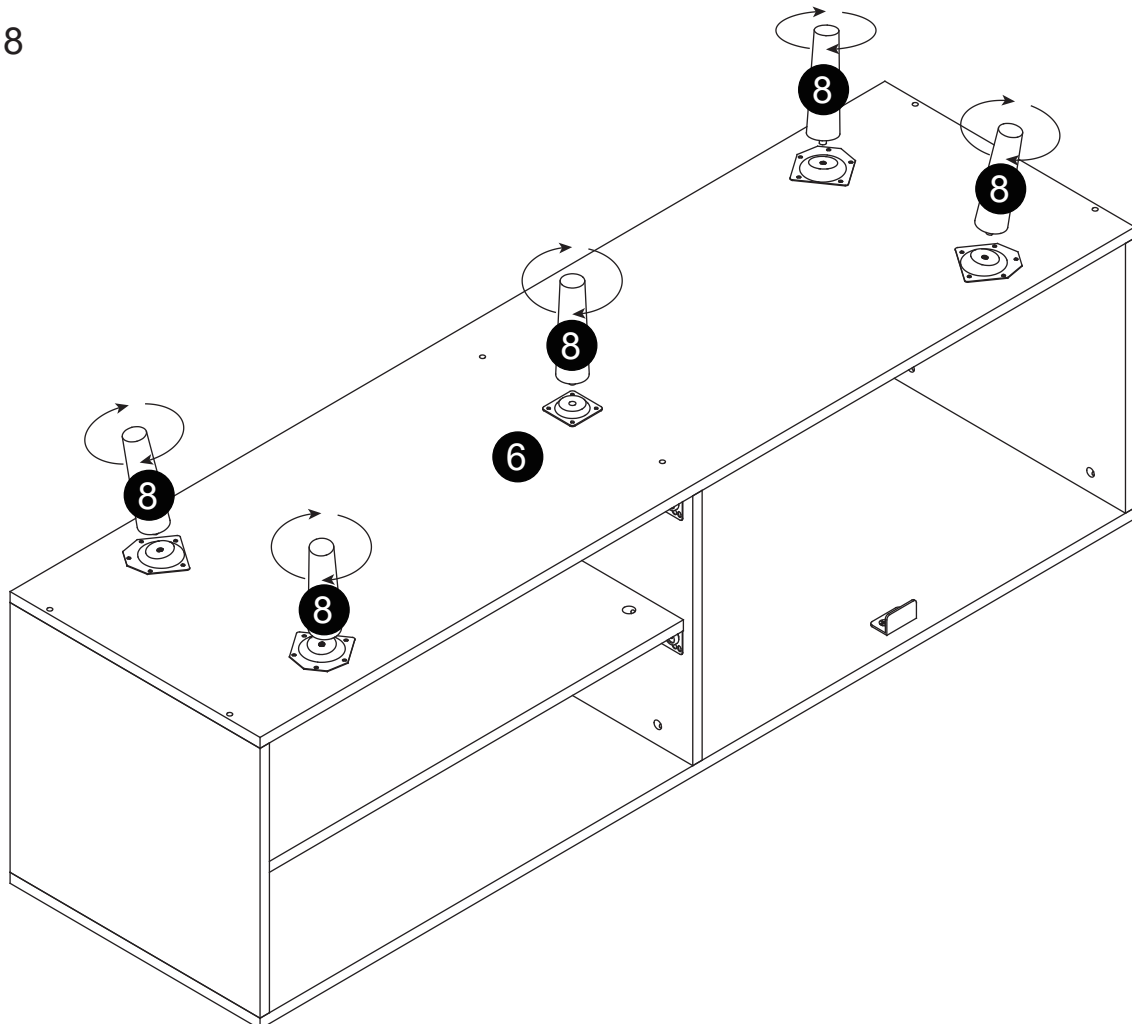
STEP 6



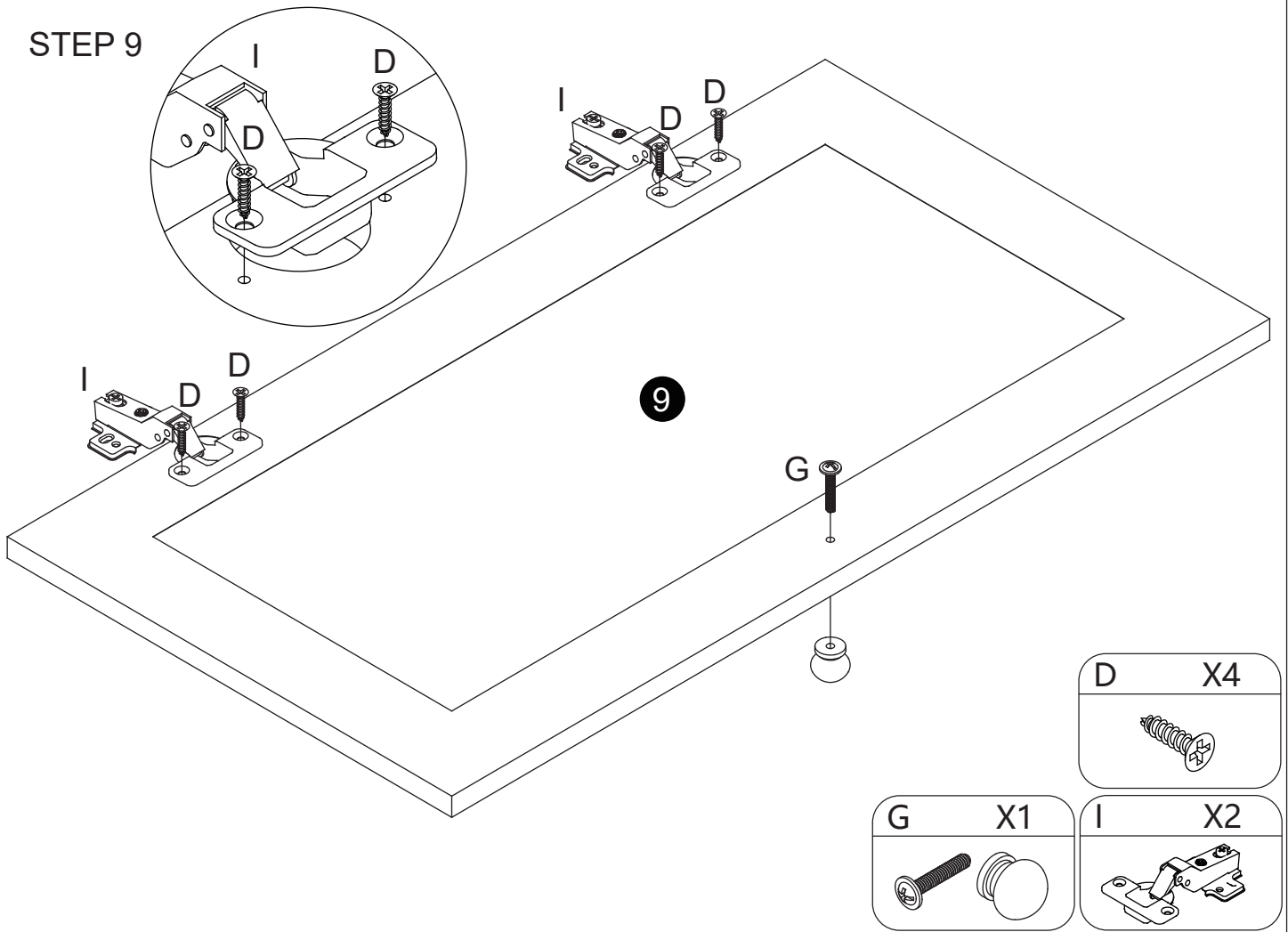
STEP 7



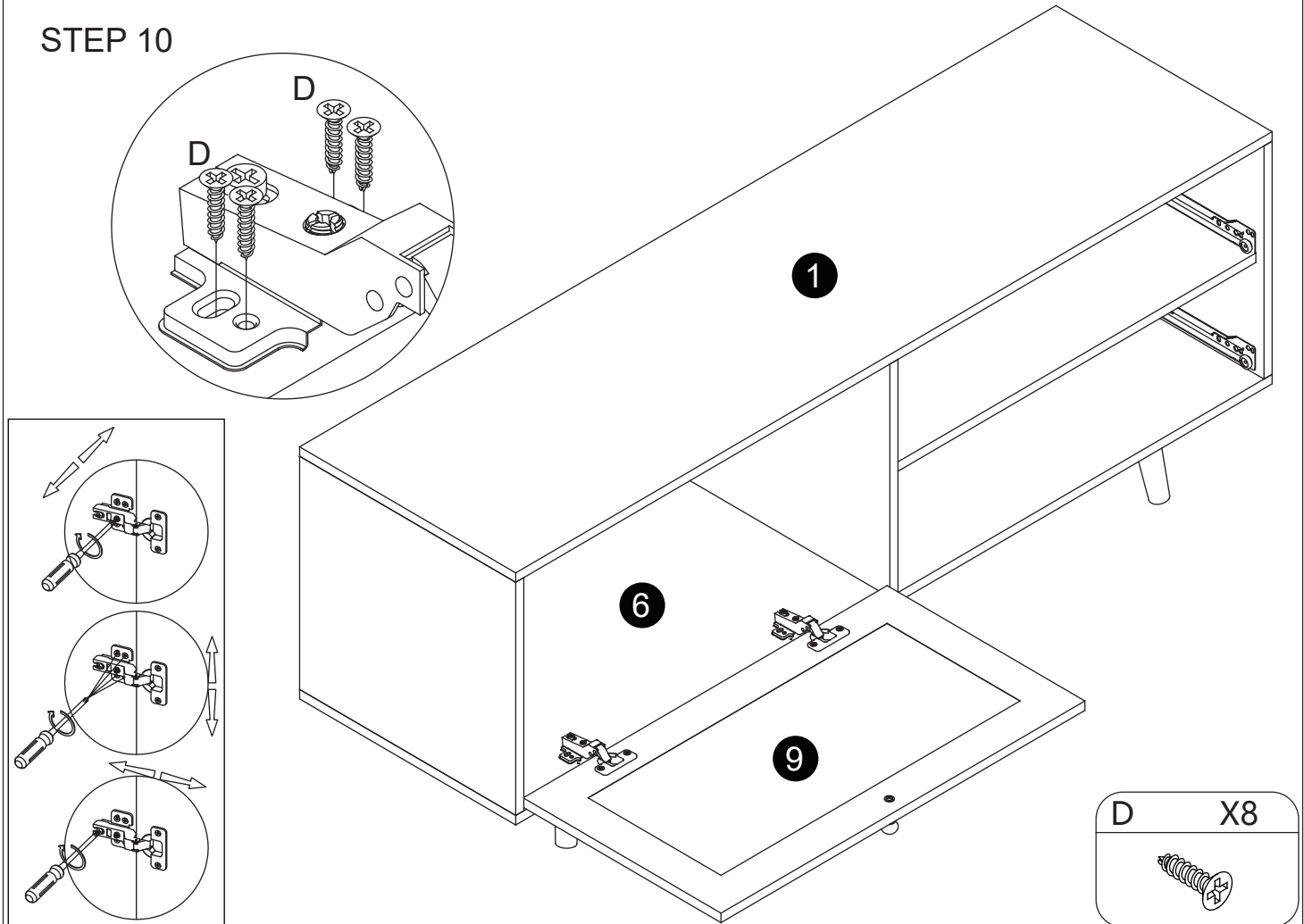
STEP 8



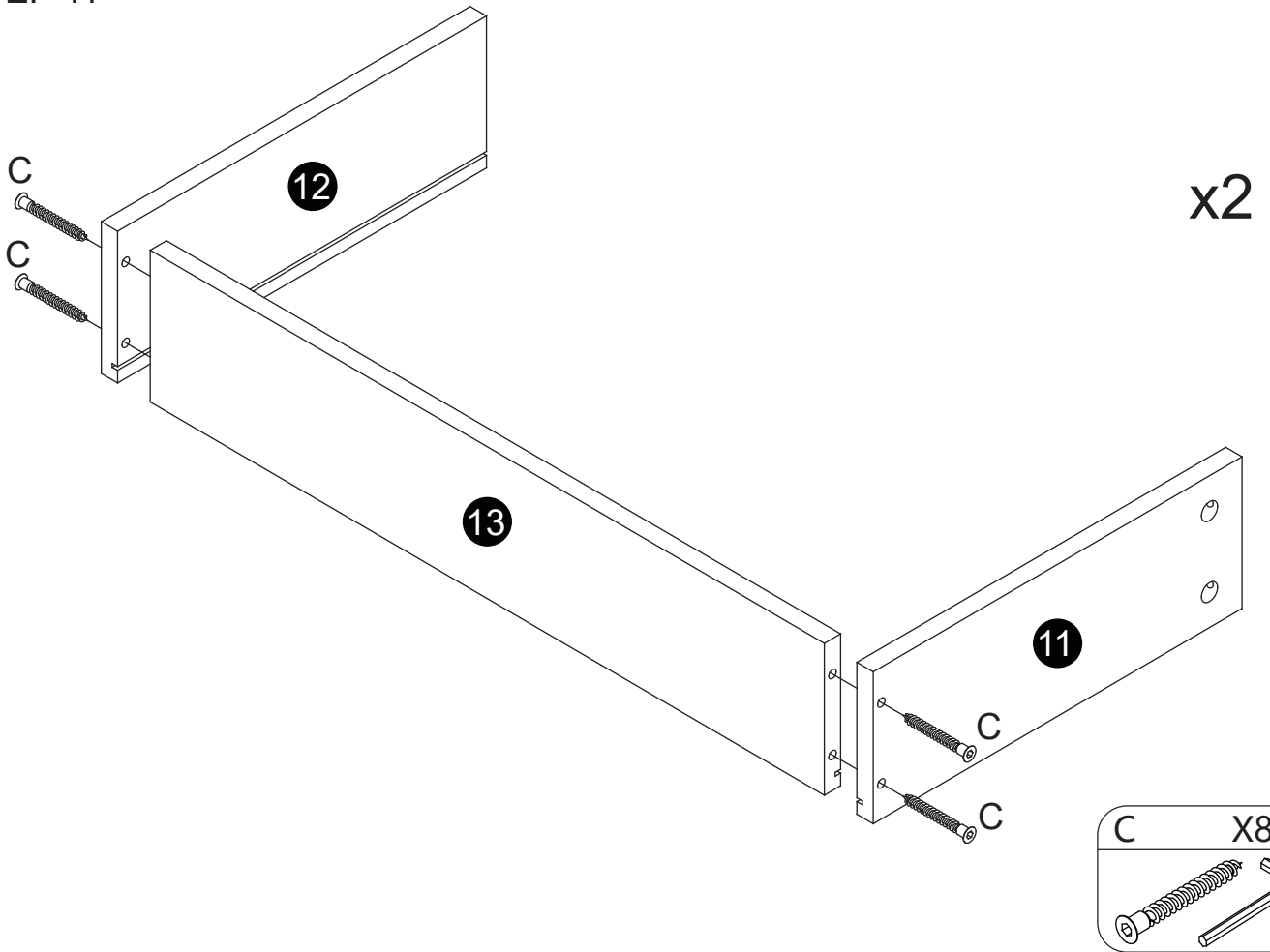
STEP 9



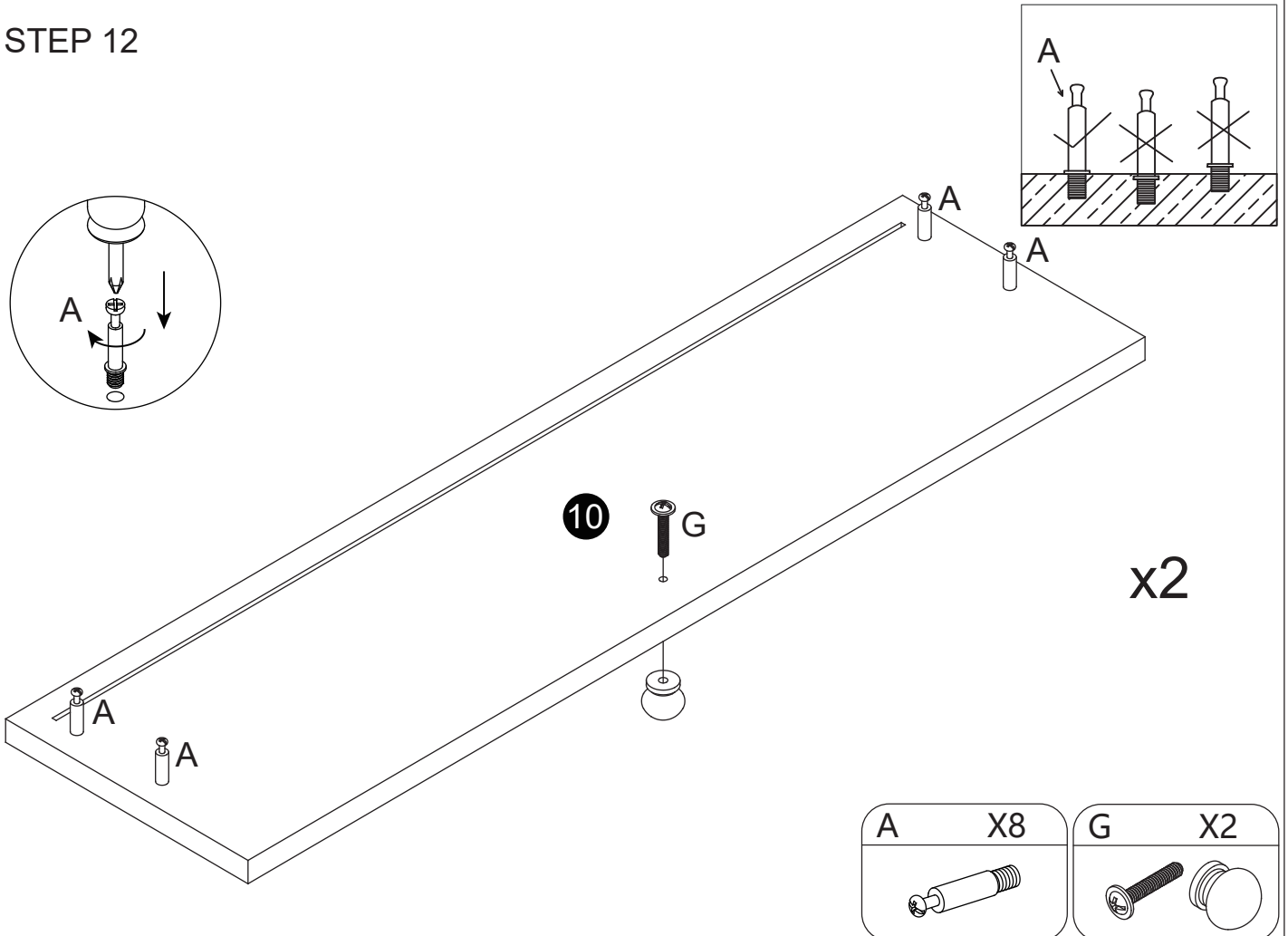
STEP 10



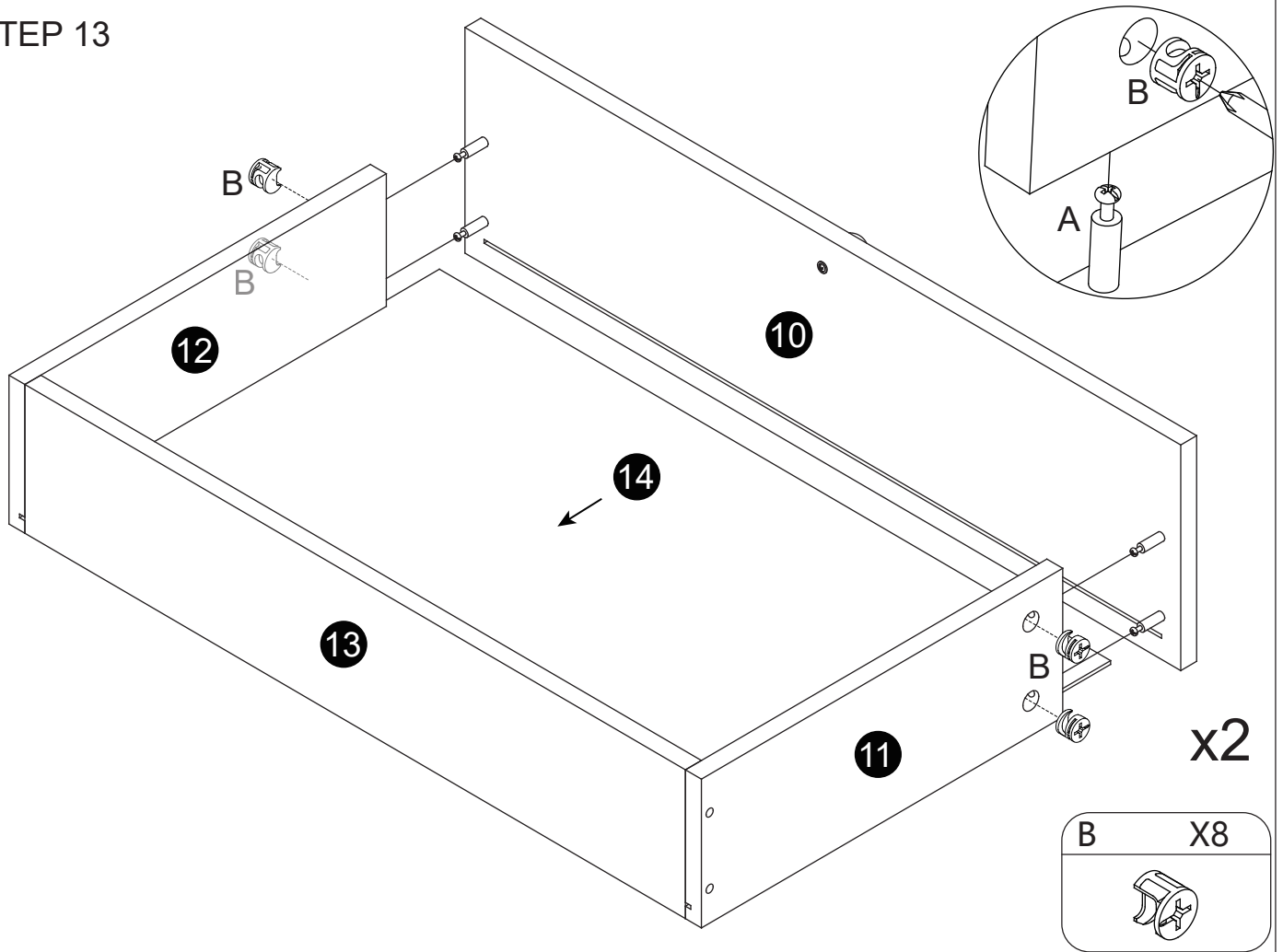
STEP 11



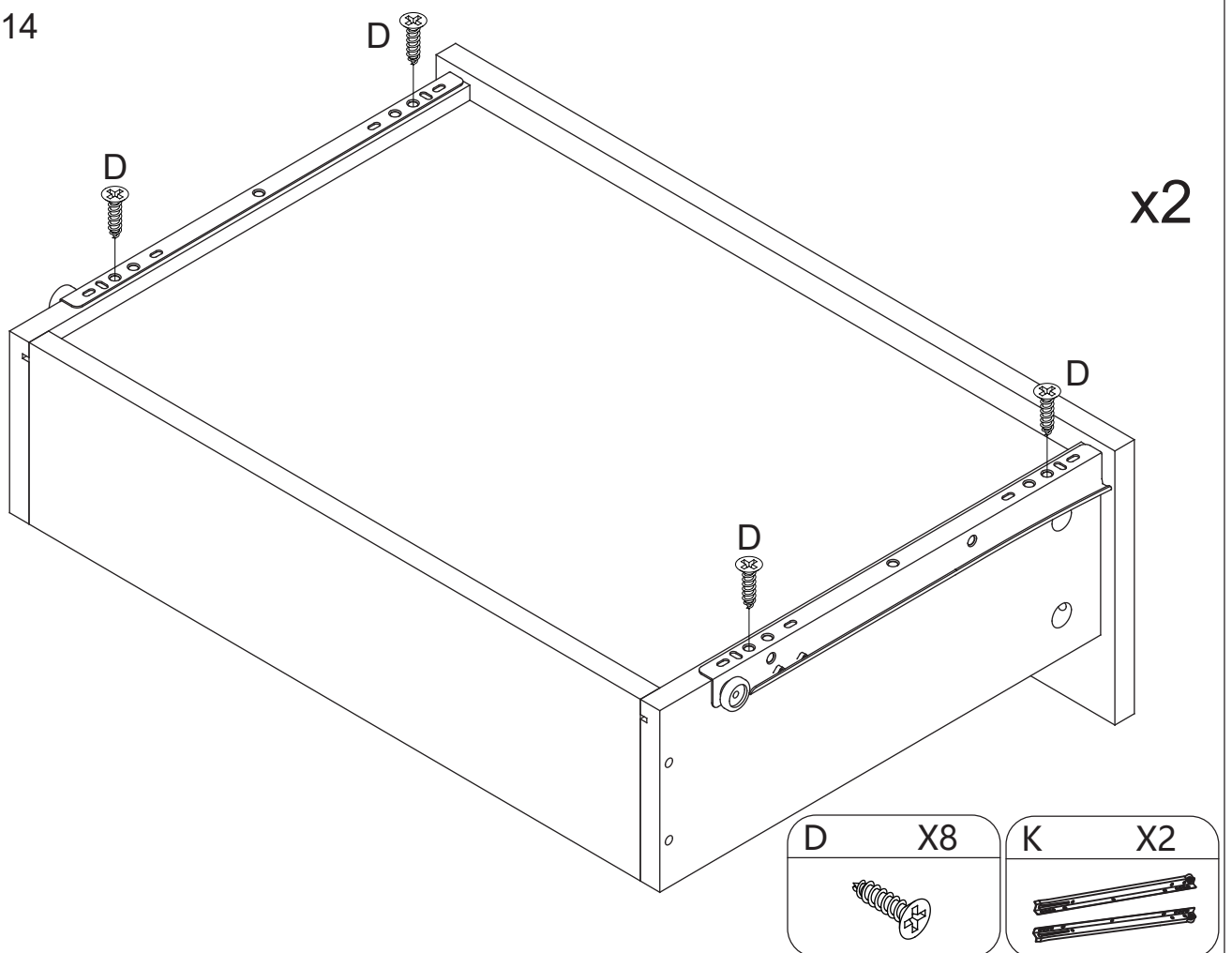
STEP 12



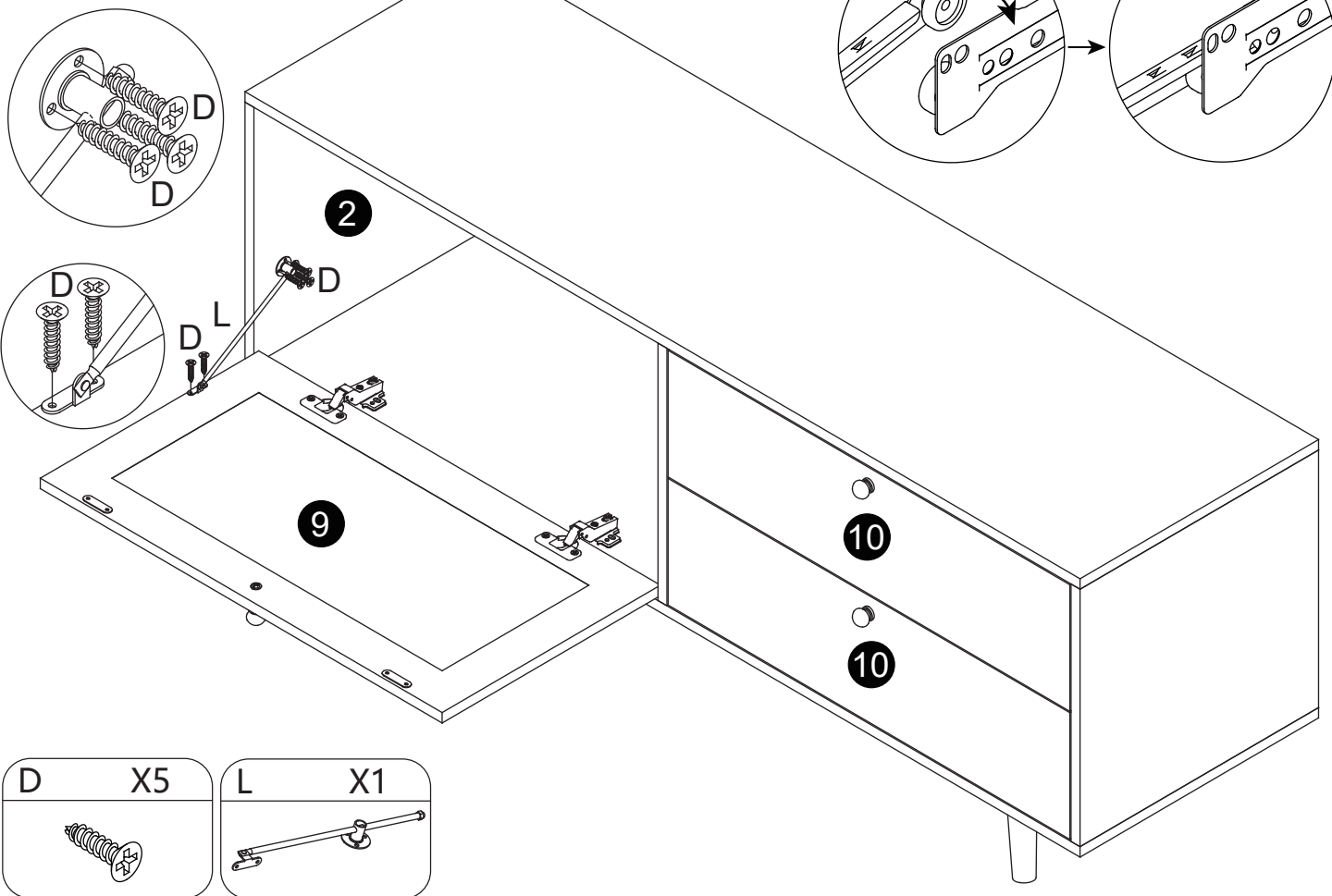
STEP 13



STEP 14



STEP 15



STEP 16

