



SOFT, DRY CLOTH ✓  
WEICHES, TROCKENES BALMWOLLTUCH /  
CHIFFON DOUX ET SEC / PANO MORBIDO  
E ASCIUTTO / PAÑO SUAVE Y SECO

CHEMICAL ✗  
AGGRESSIVE REINIGER / AGGRESSIVE  
CLEANERS / NETTOYANTS AGRESSIFS /  
DETERGENT AGGRESSIVO /  
LIMPIADORES AGRESIVOS

HEAT ✓  
HITZE, SONNENEINSTRALUNG /  
CHALEUR, SOLEIL / CALORE, LUCE DEL  
SOLE / CALOR, LUZ DEL SOL

KEEP DRY ✓  
TROCKEN HALTEN / GARDER AU SEC /  
MANTENERE ASCIUTTO / MANTENER  
SECO

HANDLE WITH CARE ✓  
MIT VORSICHT BEHANDLEN / MANIPULER  
AVEC SOIN / MANEGGIARE CON CURA /  
MANEJAR CON CUIDADO

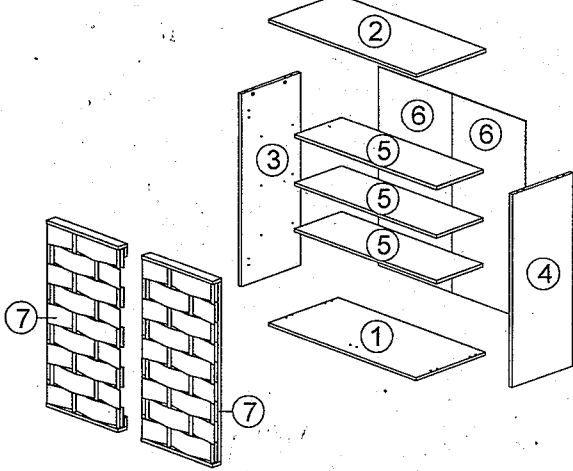
DO NOT USE KNIFE ✗  
KEINE SCHARFEN GEGENSTÄNDE ZUM AUFBAU  
VERWENDEN / NE PAS UTILISER D'OBJETS POINTUS  
POUR LE MONTAGE / NON UTILIZARE OGGETTI  
APPUNTI PER IL MONTAGGIO / NO UTILICE  
OBJETOS AFILADOS PARA EL MONTAJE

**AUFBAUANLEITUNG / INSTRUCTIONS DE MONTAGE / ISTRUZIONI DI MONTAGGIO / INSTRUCCIONES DE MONTAJE**  
**MODEL : ASTON 23001-B (104607)**  
**DESCRIPTION : SHOES CABINET / SCHUHSCHRANK / PLACARD**  
**À CHAUSSURES / SCARPIERA ZAPATERO /**  
**ARMARIO PARA ZAPATOS**

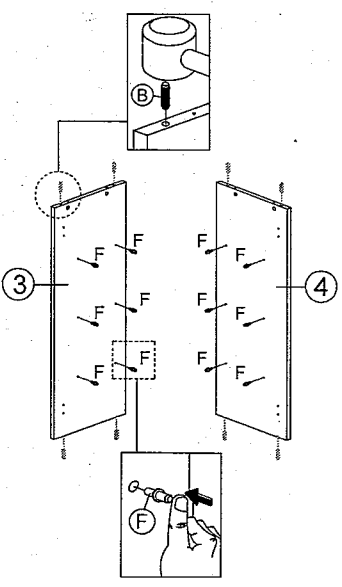
**HARDWARE**  
MONTAGEMATERIAL /  
MATERIEL DE  
MONTAGE /  
MATERIALE DI  
MONTAGGIO /  
MATERIAL DE  
MONTAJE

- |   |                         |                   |                             |                                    |                                   |                                      |                                   |                                 |                            |  |                                |   |                                       |
|---|-------------------------|-------------------|-----------------------------|------------------------------------|-----------------------------------|--------------------------------------|-----------------------------------|---------------------------------|----------------------------|--|--------------------------------|---|---------------------------------------|
| <b>A</b><br>A1<br>MINIFIX (HOUSING)<br>4 SETS | A2<br>MINIFIX (EURO 24) | A3<br>MINIFIX CAP | <b>A5</b><br>ALLEN KEY<br>1 | <b>B</b><br>WOOD DOWEL 8 X 25<br>8 | <b>C</b><br>CB SCREW M4X38MM<br>4 | <b>D</b><br>CB SCREW M3.5X16MM<br>36 | <b>E</b><br>CB SCREW M4X28MM<br>4 | <b>F</b><br>SHELF SUPPORT<br>12 | <b>G</b><br>NAIL 5/8<br>30 | <b>H</b><br>SOFT CLOSE HINGES 5/8<br>4 | <b>I</b><br>2 PIN STOPPER<br>1 | <b>J</b><br>J1<br>J2<br>J3<br>J4<br>566 DOOR DAMPER<br>2 SETS | <b>L</b><br>SIDE METAL LEG-300MM<br>4 |
|---|-------------------------|-------------------|-----------------------------|------------------------------------|-----------------------------------|--------------------------------------|-----------------------------------|---------------------------------|----------------------------|--|--------------------------------|---|---------------------------------------|

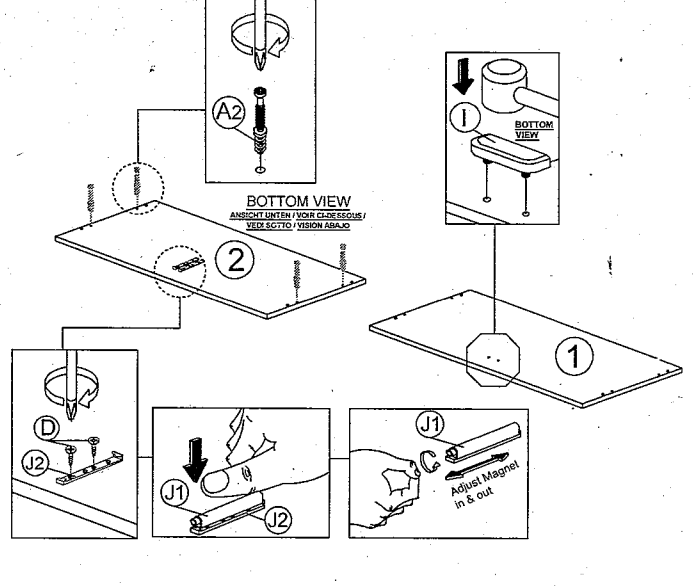
**PART LIST**  
TEILELISTE / LISTE DES PIÈCES /  
PARTI / LISTA DE PARTES



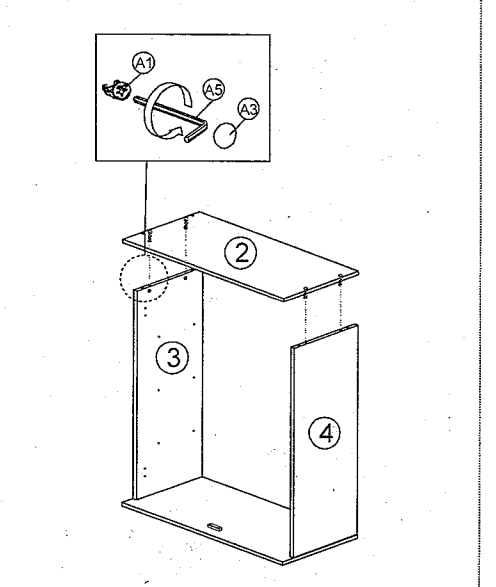
**STEP 1**



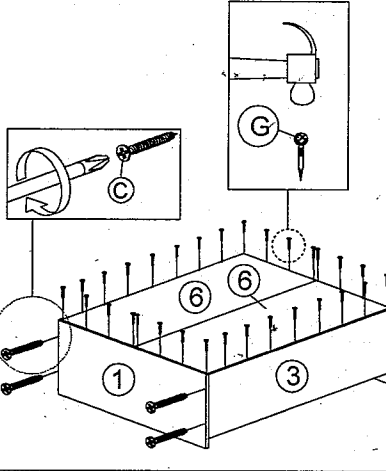
**STEP 2**



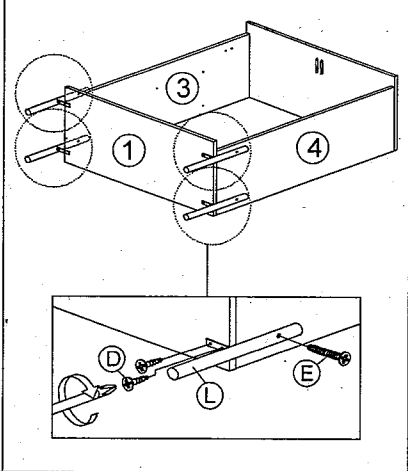
**STEP 3**



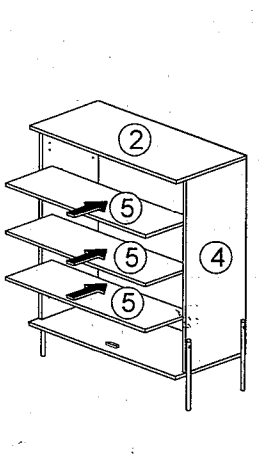
**STEP 4**



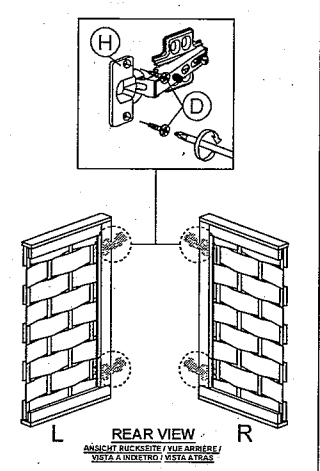
**STEP 5**



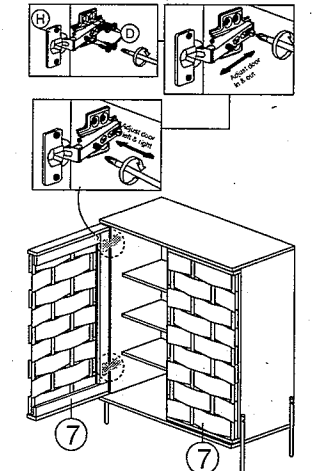
**STEP 6**



**STEP 7**



**STEP 8**



**COMPLETED**

