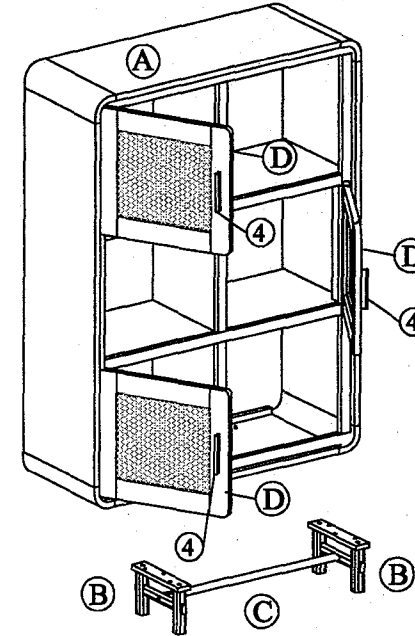
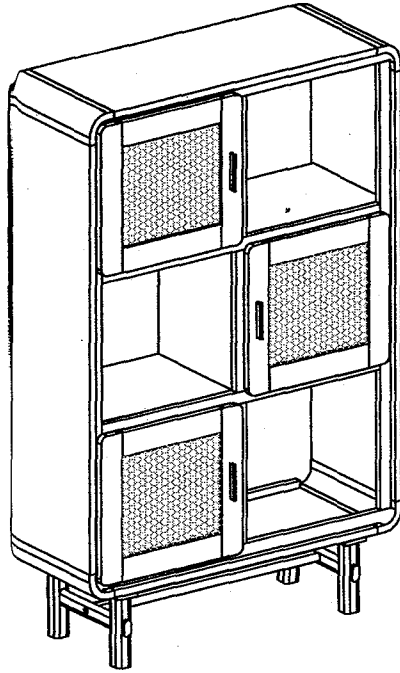

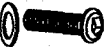





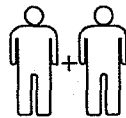
IBIZA VITRINE 3 DOORS: #105016

Aufbauanleitung / Assembly instructions / Instructions de montage / Istruzioni di montaggio / Instrucciones de montaje.

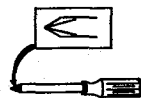


Teileliste / Parts list / Liste des pièces / Parti / Lista de partes

No	DESCRIPTION	IMAGE	QUANTITY
1	BOLT (M8x35mm)		6
2	BOLT (M6x40mm)		2
3			
4	SHORT HANDLE		3
5	ANTI-TIP KITS		2
6	ALLEN KEY		1



2 people assembly recommended

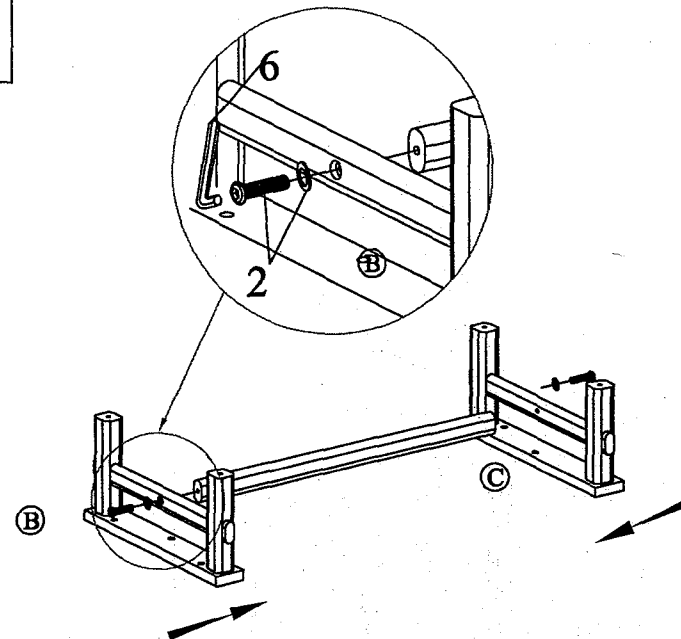


01

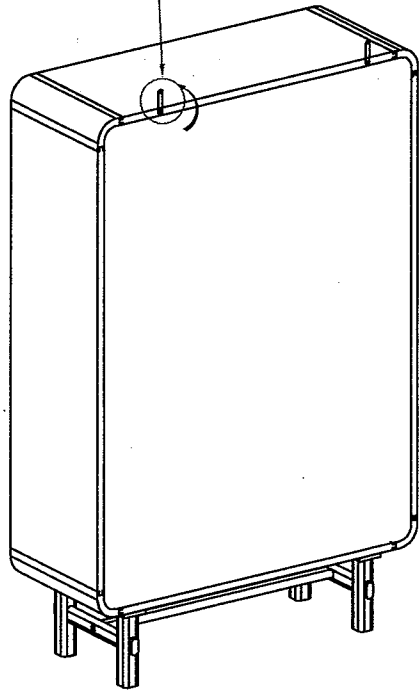
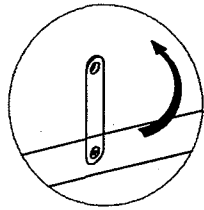
2 (2x)



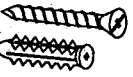
BOLT M6x40



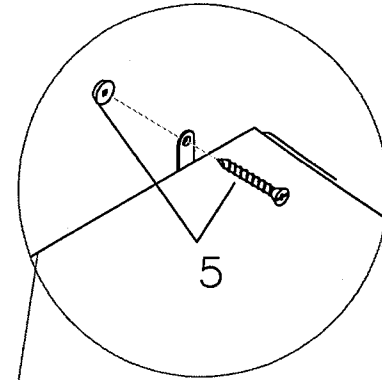
05



5 (2x)



Anti-tip kit



06

