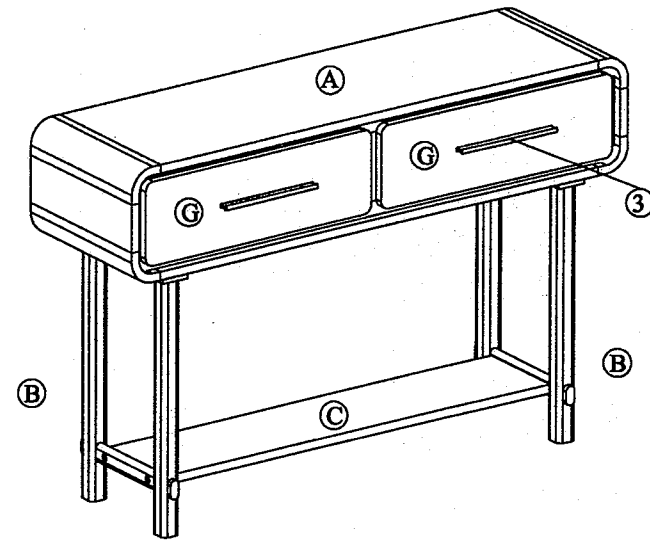
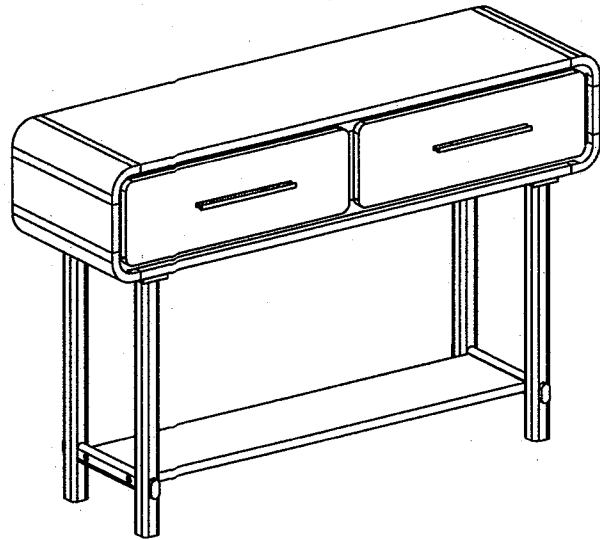


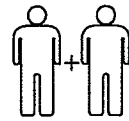
IBIZA CONSOLE 2 DRAWERS: #105015

Aufbauanleitung / Assembly instructions / Instructions de montage / Istruzioni di montaggio / Instrucciones de montaje.

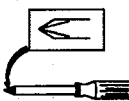


Teileliste / Parts list / Liste des pièces/ Parti /Lista de partes

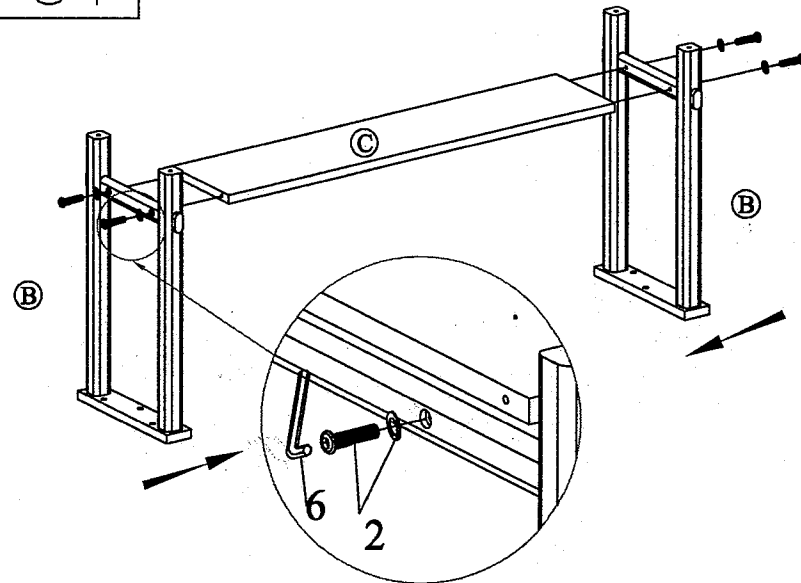
No	DESCRIPTION	IMAGE	QUANTITY
1	BOLT (M8x35mm)		6
2	BOLT (M6x40mm)		4
3	LONG HANDLE		2
4			
5	ANTI-TIP KITS		2
6	ALLEN KEY		1



2 people assembly recommended



01

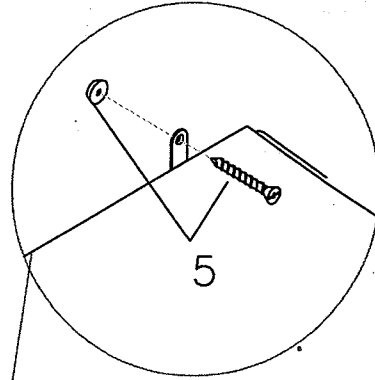
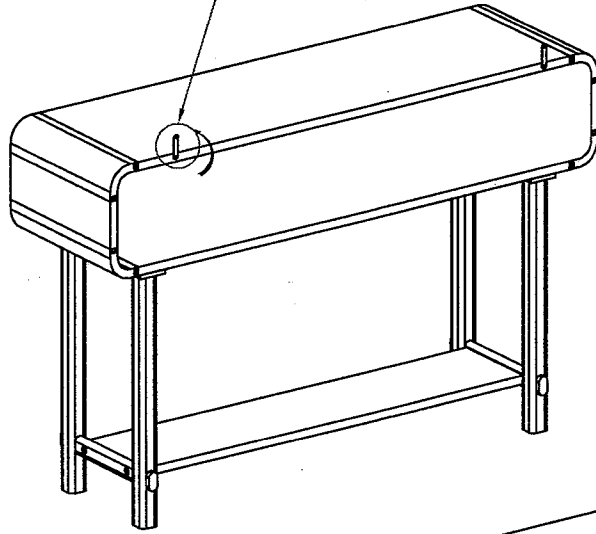
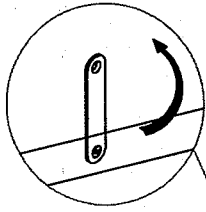


2 (4x)

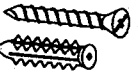


BOLT M6x40

05



5 (2x)



Anti-tip kit

06

