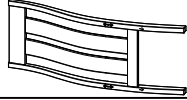
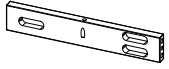
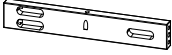
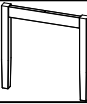

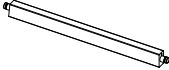
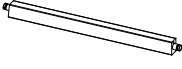


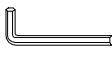



# Assembly Instructions

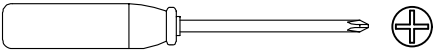
MODEL : HOUSTON\_DC

**CAUTIONS :** Please read instructions thoroughly before unpacking assembly parts. Sharp, exposed staple tips can cause injury; therefore, for your protection, please remove any exposed staples used in packing.

1. We recommend that you should assemble this product with the assistance of another person; this will make assembly easier, and will help to eliminate damage the product or injury to persons during assembly.
2. Be sure to check all packing materials carefully for small parts that may have come loose inside the carton during shipment.
3. Please do not over tighten screws or bolts.
4. Please put all parts on a non-abrasive floor before assembly, and follow the assembly steps to assemble your newly purchased product correctly and efficiently.

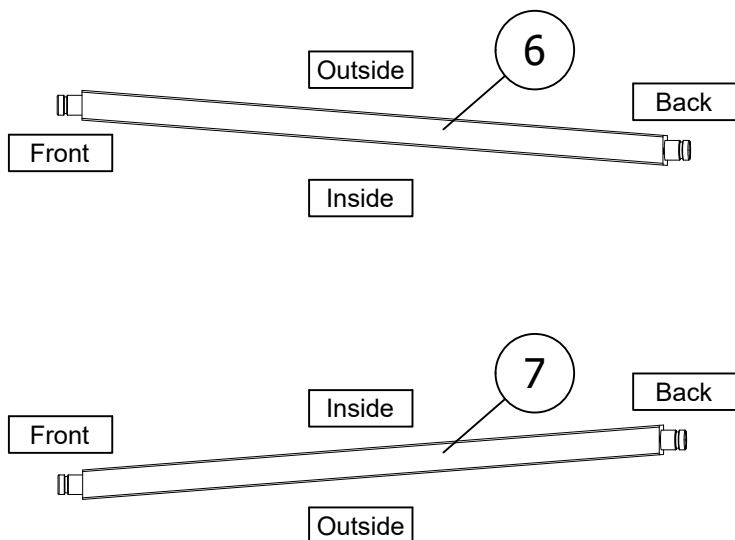
PARTS LIST			
NO	DESCRIPTION		QTY
1		BACK	1
2		SEAT FRAME - LEFT	1
3		SEAT FRAME - RIGHT	1
4		FRONT LEG WITH RAIL	1
5		CUSHION SEAT	1
6		SIDE SUPPORT RAIL - LEFT	1
7		SIDE SUPPORT RAIL - RIGHT	1

HARDWARE LIST			
NO	DESCRIPTION		QTY
A		ALLEN KEY M4	1
B		JCBC BOLT M6 x 50MM	6
C		WOOD DOWEL (M8 x 30MM)	6
D		CSK C/B SCREW (M4 x 32MM)	7

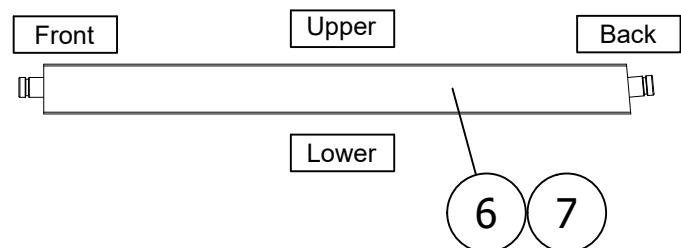
ASSEMBLY TOOLS REQUIRED
<b>Screwdriver (not provide)</b>


## ASSEMBLY PARTS DETAILS NOTES

### TOP VIEW



### SIDE VIEW

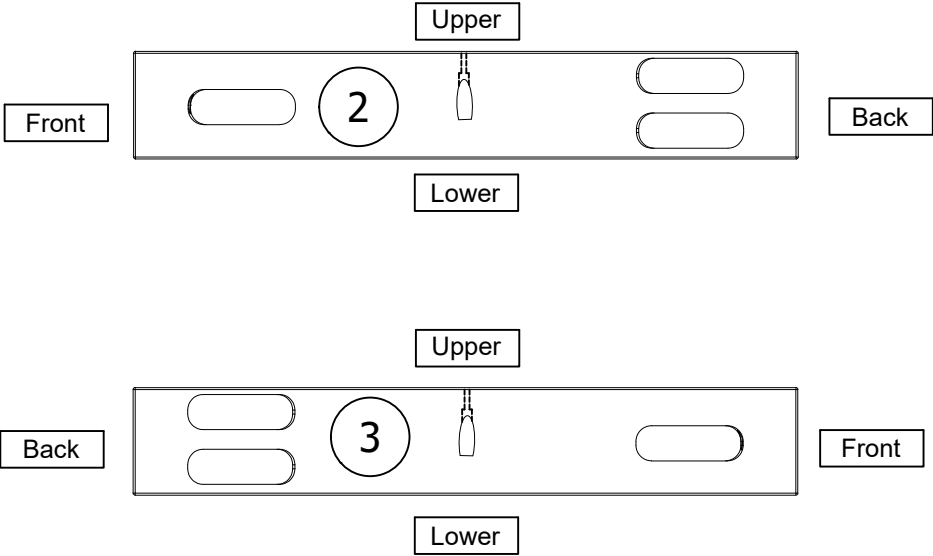


# Assembly Instructions

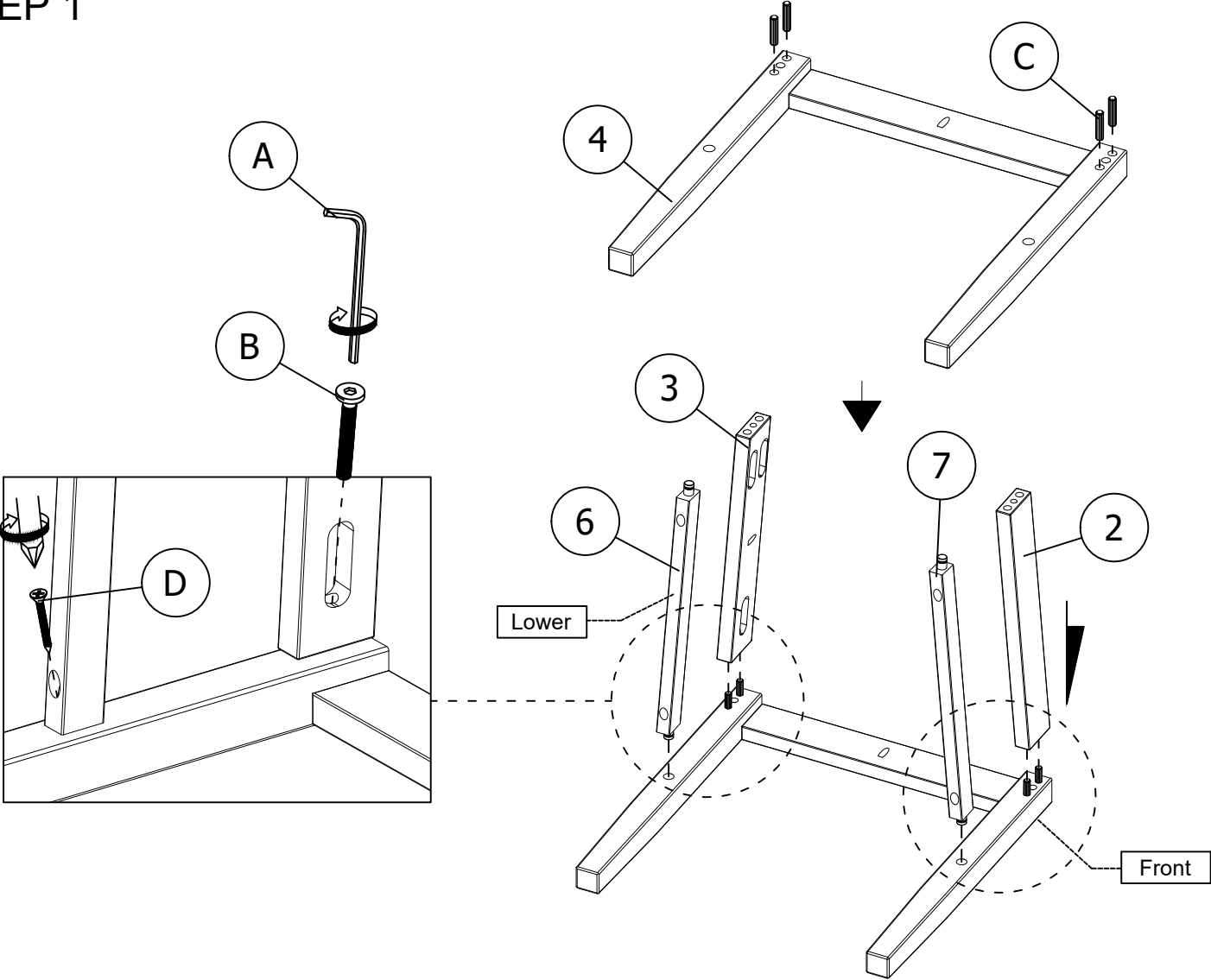
MODEL : HOUSTON\_DC

## ASSEMBLY PARTS DETAILS NOTES

### INSIDE VIEW



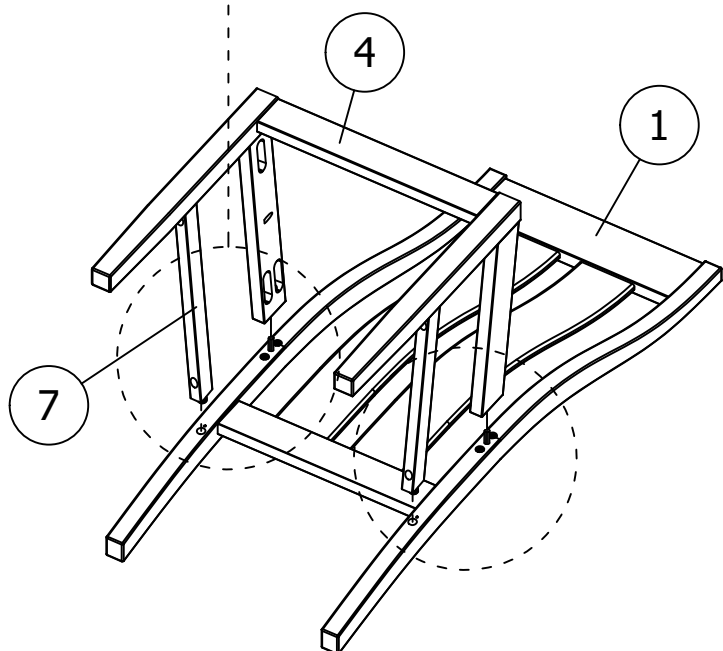
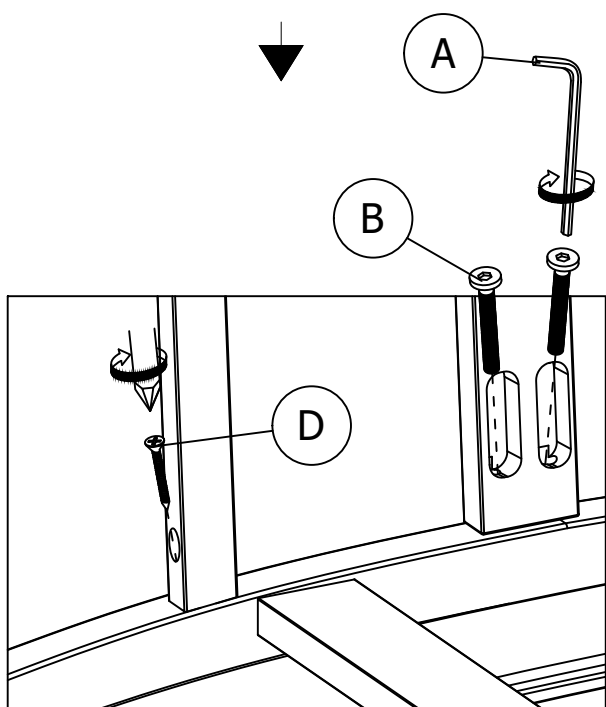
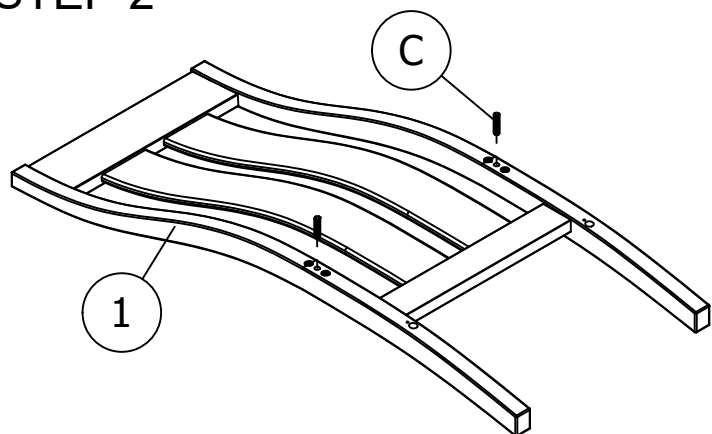
### STEP 1



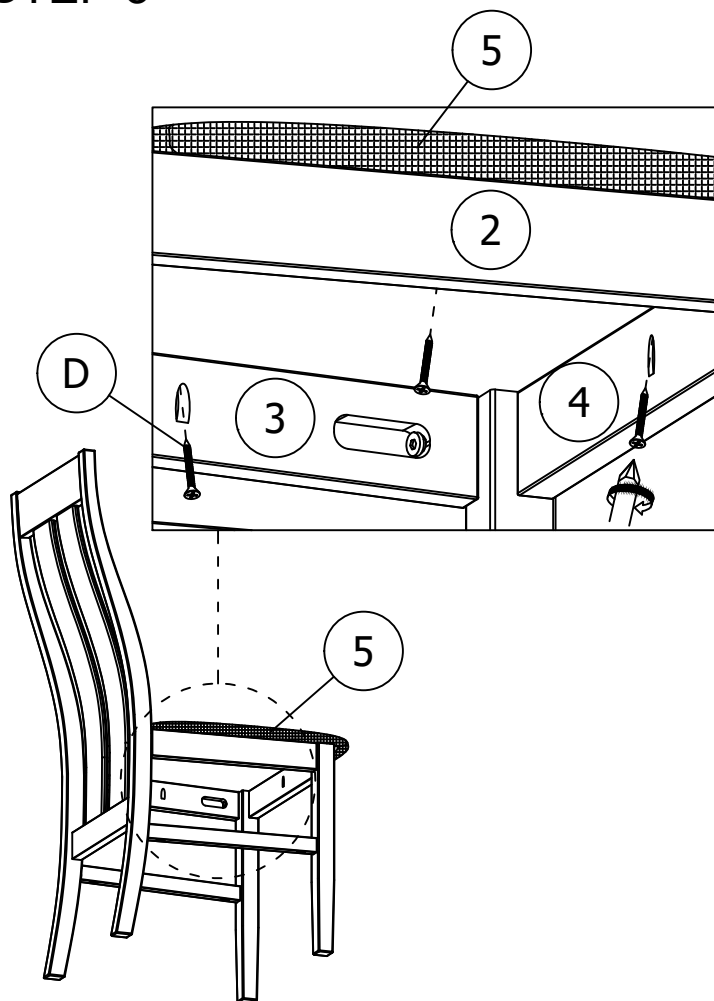
# Assembly Instructions

MODEL : HOUSTON\_DC

## STEP 2



## STEP 3



## COMPLETED

