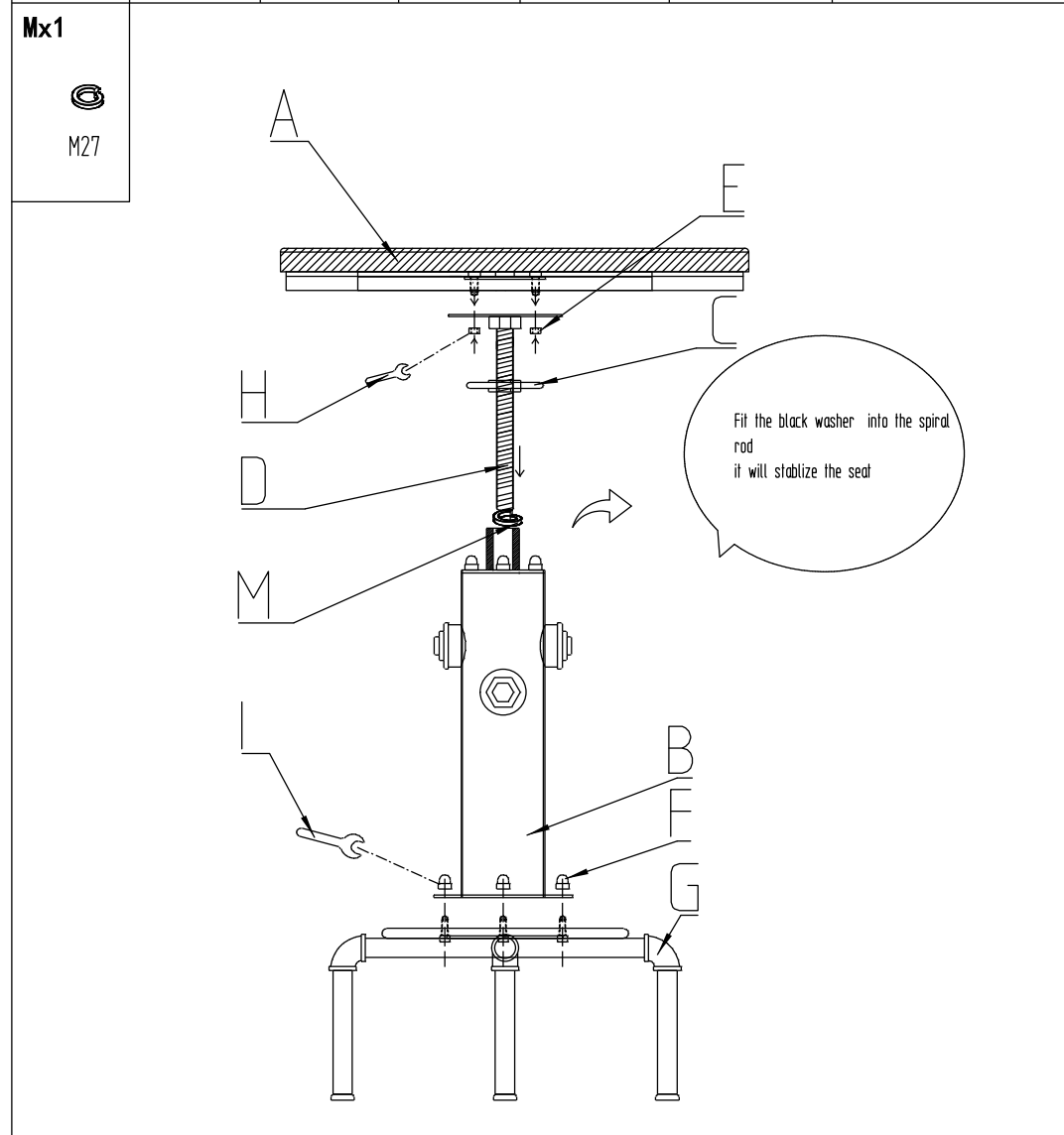
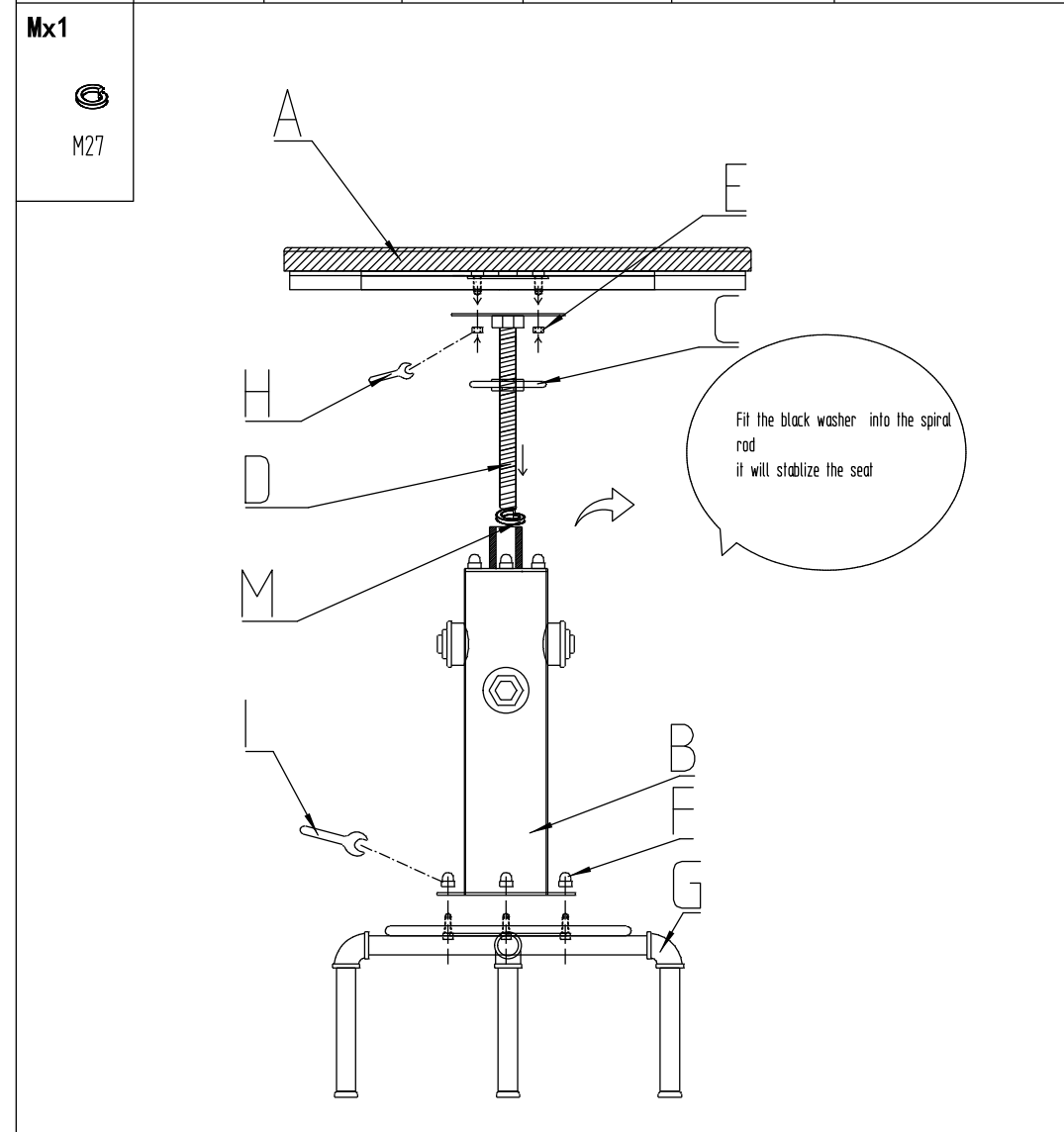


|                |                |                |                |                      |                        |                        |
|----------------|----------------|----------------|----------------|----------------------|------------------------|------------------------|
| <b>Ax1</b><br> | <b>Bx1</b><br> | <b>Cx1</b><br> | <b>Dx1</b><br> | <b>Ex4</b><br><br>M8 | <b>Fx4</b><br><br>M8   | <b>Gx1</b><br>         |
|                |                |                |                |                      | <b>Hx4</b><br><br>12mm | <b>Ix1</b><br><br>14mm |

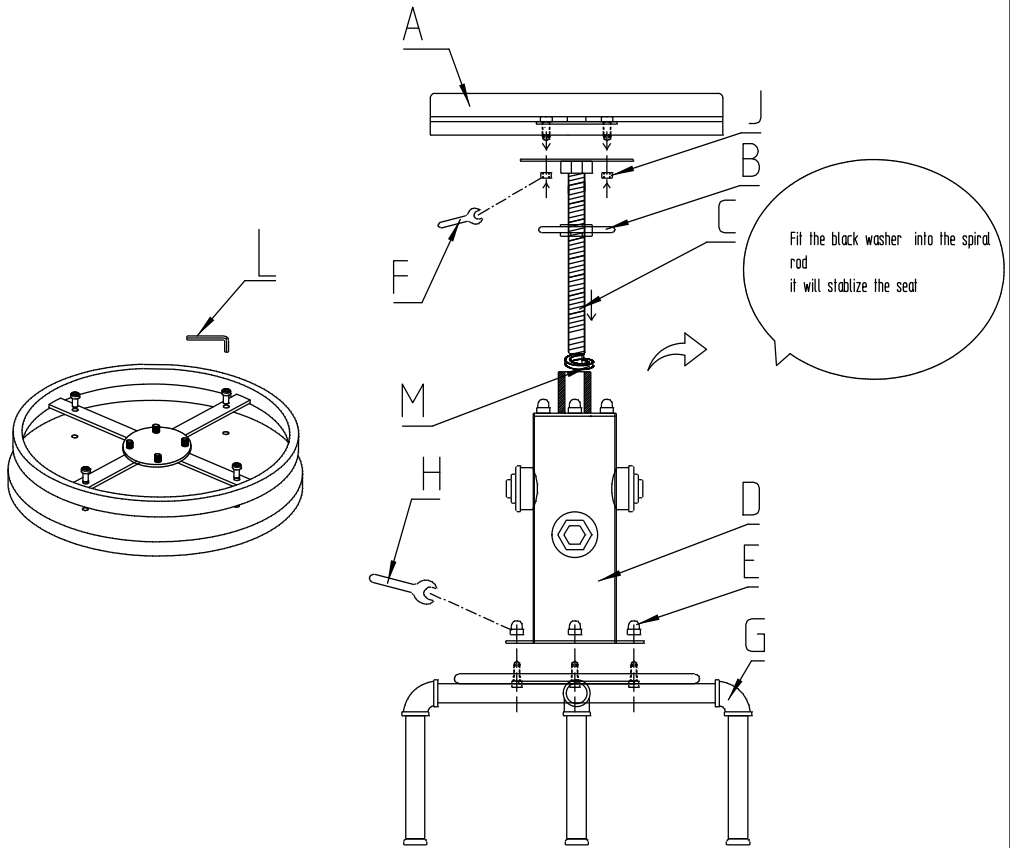


|                |                |                |                |                      |                        |                        |
|----------------|----------------|----------------|----------------|----------------------|------------------------|------------------------|
| <b>Ax1</b><br> | <b>Bx1</b><br> | <b>Cx1</b><br> | <b>Dx1</b><br> | <b>Ex4</b><br><br>M8 | <b>Fx4</b><br><br>M8   | <b>Gx1</b><br>         |
|                |                |                |                |                      | <b>Hx4</b><br><br>12mm | <b>Ix1</b><br><br>14mm |



|         |         |         |         |               |         |
|---------|---------|---------|---------|---------------|---------|
| Ax1<br> | Bx1<br> | Cx1<br> | Dx1<br> | Ex4<br><br>M8 | Gx1<br> |
|         |         |         |         | Fx1<br>       | Hx1<br> |

|                  |                      |                      |
|------------------|----------------------|----------------------|
| J<br><br>M8*4PCS | L<br><br>5mm<br>1PCS | M<br><br>M27<br>1PCS |
|------------------|----------------------|----------------------|



|         |         |         |         |               |         |
|---------|---------|---------|---------|---------------|---------|
| Ax1<br> | Bx1<br> | Cx1<br> | Dx1<br> | Ex4<br><br>M8 | Gx1<br> |
|         |         |         |         | Fx1<br>       | Hx1<br> |

|                  |                      |                      |
|------------------|----------------------|----------------------|
| J<br><br>M8*4PCS | L<br><br>5mm<br>1PCS | M<br><br>M27<br>1PCS |
|------------------|----------------------|----------------------|

